

Connector mounting plate - HC-SMP 150-B16 - 1660889

Please be informed that the data shown in this PDF Document is generated from our Online Catalog. Please find the complete data in the user's documentation. Our General Terms of Use for Downloads are valid (<http://phoenixcontact.com/download>)




Plug assembly board, 150 mm, with base element, snaps onto NS 35/7.5 and NS 35/15, for contact inserts HC-B 16

The figure shows the HC-SMP 150... connector mounting plate (bottom) with the HC-SAZ... plug socket (top)



Key commercial data

Packing unit	5 pc
GTIN	 4 017918 022297
Weight per Piece (excluding packing)	180.4 g
Custom tariff number	85389099
Country of origin	Germany

Technical data

Dimensions

Length	150 mm
Height	52 mm
Hole diameter	4.5 mm
Drill hole distance, horizontal	130 mm
Drill hole distance, vertical	32 mm

General

Type	B16
------	-----

Classifications

eCl@ss

eCl@ss 4.0	27140816
eCl@ss 4.1	27140816

Connector mounting plate - HC-SMP 150-B16 - 1660889

Classifications

eCl@ss

eCl@ss 5.0	27143424
eCl@ss 5.1	27143424
eCl@ss 6.0	27143424
eCl@ss 7.0	27440209

ETIM

ETIM 3.0	EC002310
ETIM 4.0	EC002310
ETIM 5.0	EC002310

UNSPSC

UNSPSC 6.01	43172601
UNSPSC 7.0901	39121416
UNSPSC 11	43172601
UNSPSC 12.01	39121408
UNSPSC 13.2	39121408

Approvals

Approvals

Approvals

EAC

Ex Approvals

Approvals submitted

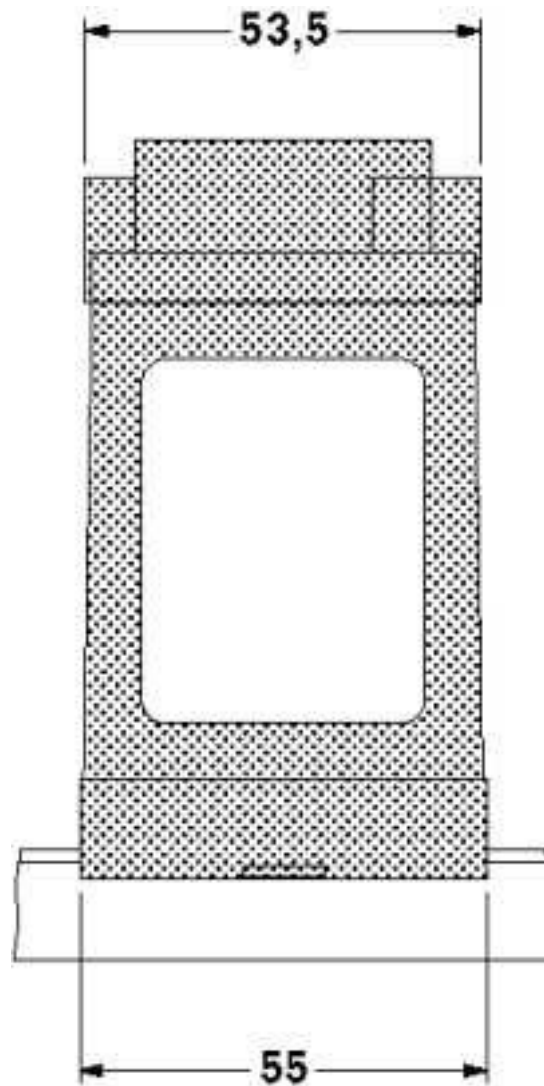
Approval details

EAC

Drawings

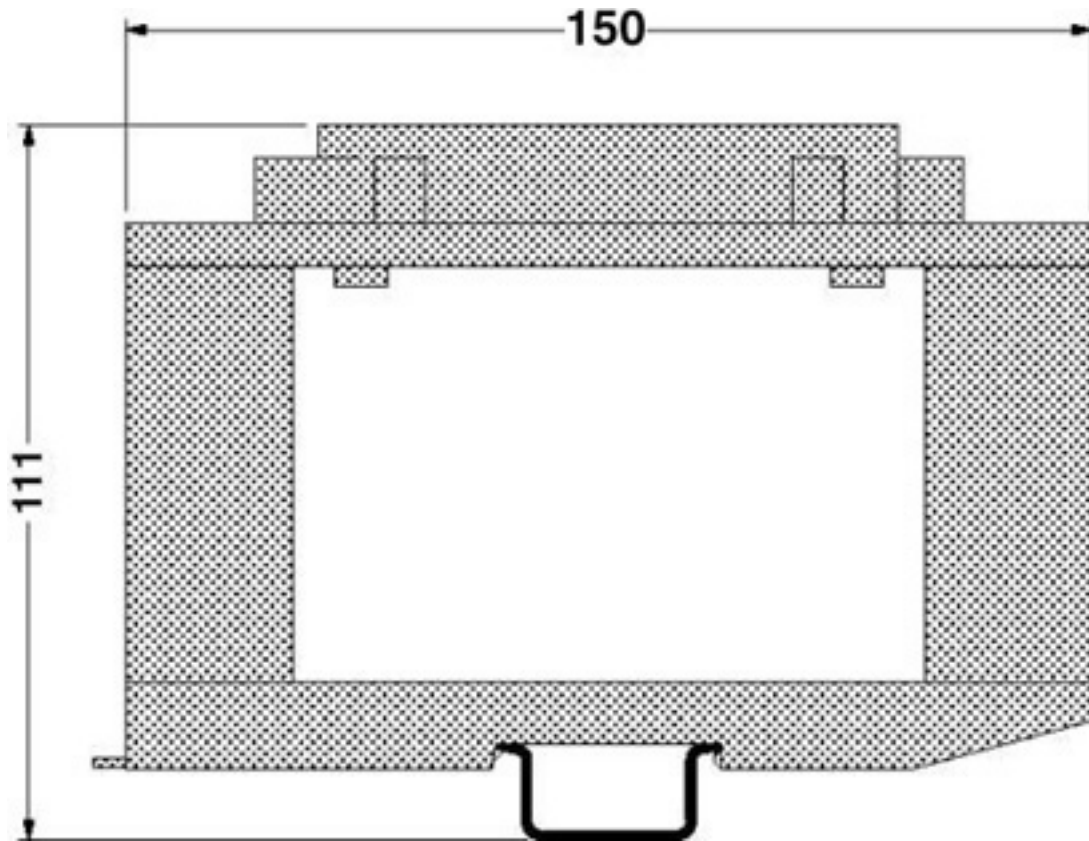
Connector mounting plate - HC-SMP 150-B16 - 1660889

Dimensioned drawing

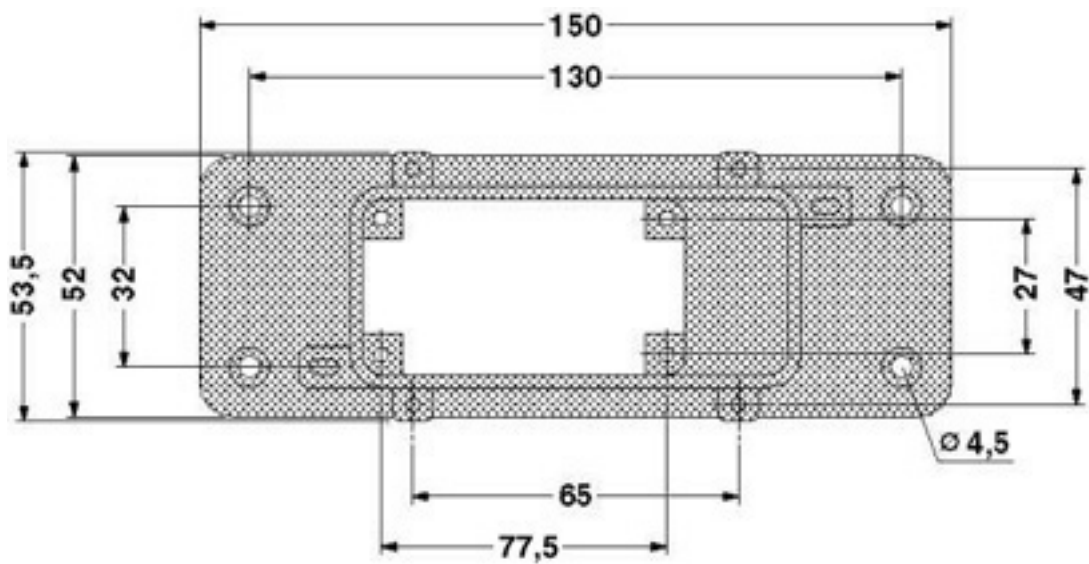


Connector mounting plate - HC-SMP 150-B16 - 1660889

Dimensioned drawing



Dimensioned drawing



Connector mounting plate - HC-SMP 150-B16 - 1660889

Dimensioned drawing

