


**VC-AL-T3-Z-M25-S**

Order No.: 1583678

<http://eshop.phoenixcontact.de/phoenix/treeViewClick.do?UID=1583678>

Aluminum die-cast sleeve housing, with grommet, locking screws with cylinder head, for a metric M25 cable gland, angled cable outlet, type VC3

Commercial data	
GTIN (EAN)	 4 046356 183307
sales group	D201
Pack	5 pcs.
Customs tariff	85369010
Catalog page information	Page 466 (PC-2011)

## Product notes

WEEE/RoHS-compliant since:  
01/19/2007

<http://www.download.phoenixcontact.com>  
Please note that the data given here has been taken from the online catalog. For comprehensive information and data, please refer to the user documentation. The General Terms and Conditions of Use apply to Internet downloads.

Technical data	
<b>General data</b>	
Note	When using fiber optics, the bending radii of the cable manufacturers must be observed.
Design	VC1
Housing type	Sleeve housings

Color	gray
Locking type	Screw locking, cylinder head
Tightening torque, mounting screw	1.5 Nm ± 0.3 Nm
No. of cable exits	1
Cable exit	Angled
Pg screw connection	None
Type of the screw connection	M20
Degree of protection	IP65/IP66/IP67
Ambient temperature (operation)	-40 °C ... 125 °C
Housing material	Zinc die-cast
Housing surface material	Powder coating
Seal material	EPDM
Material of locking screw	V2A

### Accessories

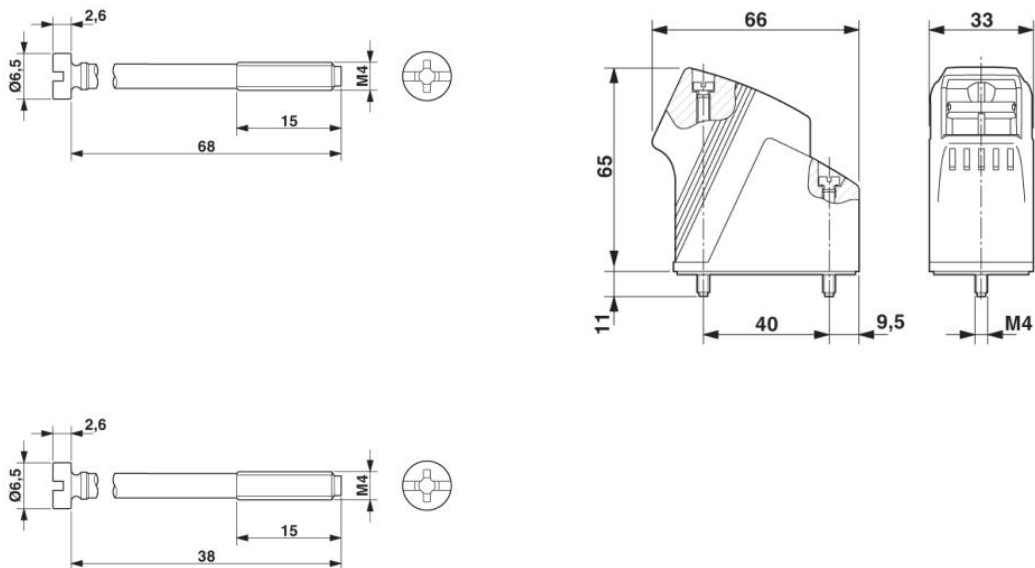
Item	Designation	Description
------	-------------	-------------

### Marking

1852875	VC-BZS WH	Marker labels, unprinted, 5-section, for individual labeling with M-PEN or CMS system, white
---------	-----------	--

### Diagrams/Drawings

Dimensioned drawing



**Address**

PHOENIX CONTACT Deutschland GmbH  
Flachmarktstr. 8  
32825 Blomberg, Germany  
Phone +49 5235 3 12000  
Fax +49 5235 3 41200  
<http://www.phoenixcontact.de>



© 2011 Phoenix Contact  
Technical modifications reserved;