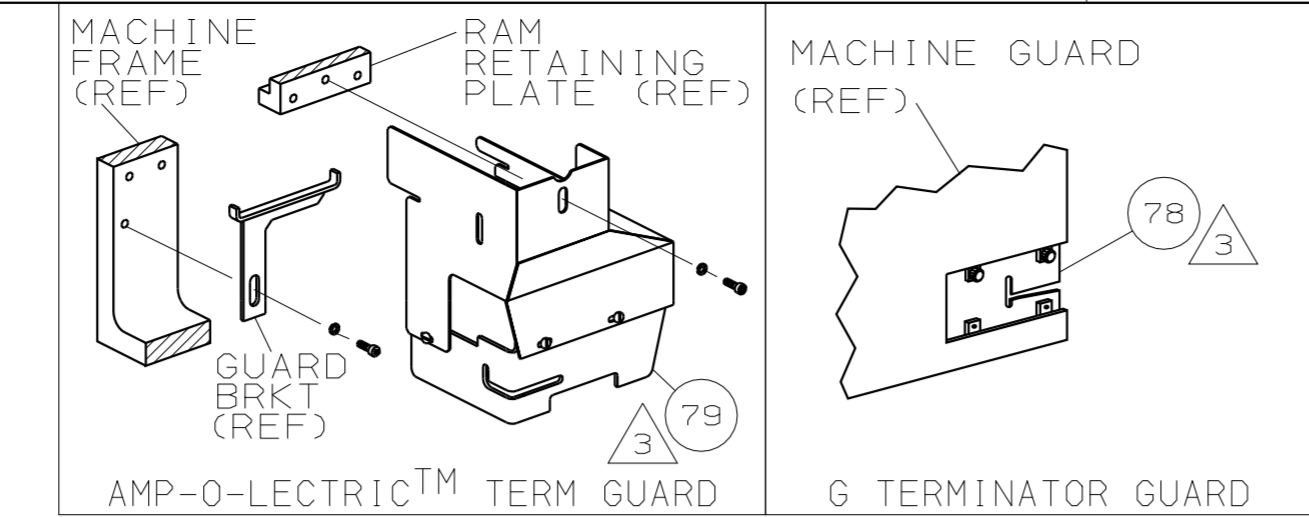
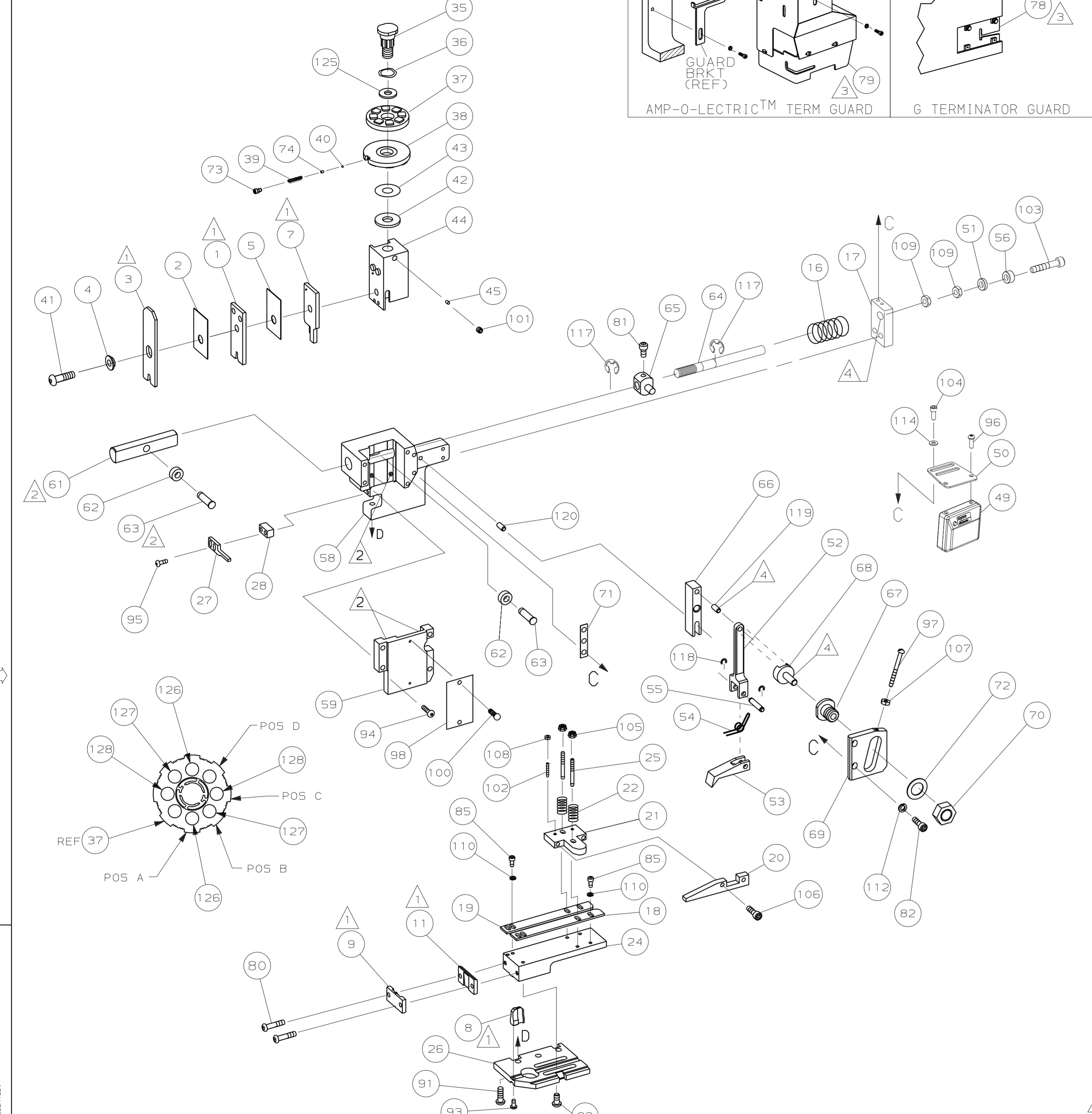


PART NUMBER	REV	FIRST USED
1852123-1	A	122500-1
1852123-2	A	565435-5

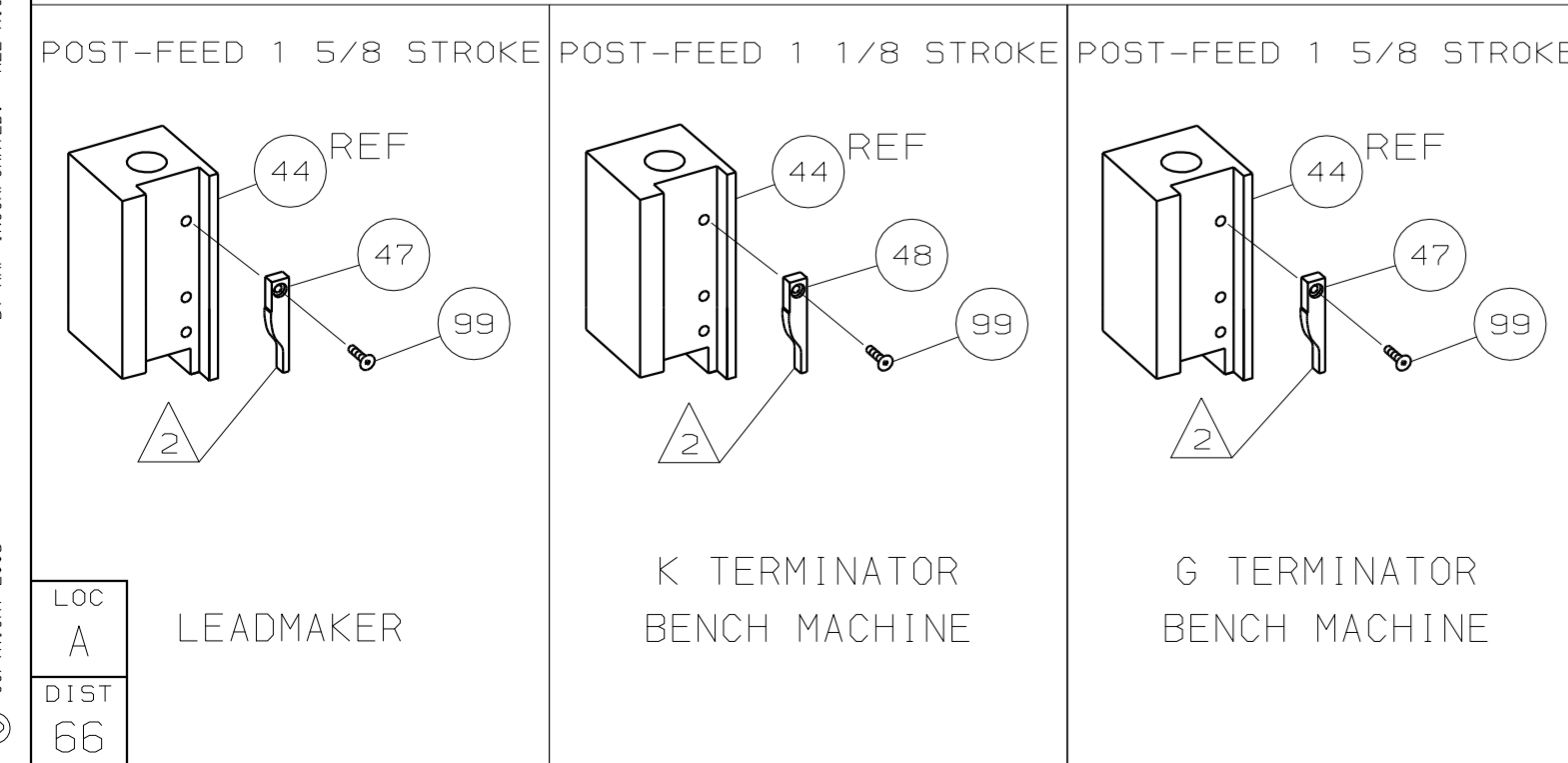


TERMINAL NAME: RECEPTACLE, FASTON, FLAG, .110 SERIES				
1742219		AMP TERMINAL AMP CRIMP SPECS		
PAD LTR	CRIMP HEIGHT	WIRE SIZE		
A	.032 ±.002 [0.81 ±0.05mm]	22 awg		
B	.029 ±.002 [0.74 ±0.05mm]	24 awg		
C	.028 ±.002 [0.71 ±0.05mm]	26 awg		
D	NOT	USED		
CRIMP	SIZE	TYPE	RANGE	
WIRE	.055 [1.40mm]	F	26-22 awg	
INSUL	.090 [2.29mm]	F	Ø.040-.080	
WIRE STRIP LENGTH	TERM APPL SPEC	FEED	APPL INSTRUCTION	SET UP GAGE LAYOUT
.173-.203	114-2028	.430	408-8039	458638-1

-1		LEADMAKER & BENCH MODEL G		MECH POST FEED		
-2		BENCH MODEL K		MECH POST FEED		
1	1	-	A	22594-8	NUT, HEX	70
1	1	-	B	240628-1	PLATE, ADJ	69
1	1	-	B	240626-1	SHAFT, PIVOT	68
1	1	-	B	240633-1	BUSHING	67
1	1	-	A	455680-1	LEVER, INTERMEDIATE	66
1	1	-	B	240629-1	BLOCK, PIVOT	65
1	1	-	A	1804311-1	SCR, ADJ	64
1	1	-	B	240659-3	PIN, CAM ROLLER	63
1	1	-	B	240658-1	CAM, ROLLER	62
1	1	-	B	454398-1	ROD, FEED	61
1	1	-	C	454220-1	CAP, RAM	59
1	1	-	D	453736-1	HOUSING	58
1	1	-	A3	1804299-1	SPACER, MAGNET	56
1	1	-	B	240624-1	PIN, FEED FINGER	55
1	1	-	B	691499-1	SPRING, FEED FINGER	54
1	1	-	B	690584-9	FINGER, FEED	53
1	1	-	B	240634-3	LEVER, TERMINAL	52
1	1	-	A	1804310-1	MAGNET, RING	51
1	1	-	A	1804303-1	BRACKET, COUNTER MOUNTING	50
1	1	-	A	1804300-1	APPLICATOR COUNTER ASSEMBLY	49
1	-	-	B	690501-3	CAM, POST FEED 1 1/8 ST	48
-	1	-	B	690501-4	CAM, POST-FEED 1 5/8 ST	47
1	1	-	A	690191-1	PLUG, NYLON	45
1	1	-	C	455674-6	RAM	44
1	1	-	A	690125-1	WASHER, LAMINATED	43
1	1	-	A	690124-1	WASHER, RAM	42
1	1	-	A	690686-2	BOLT, CRIMPER (5/16-24x1.00)	41
1	1	-	A	23241-6	BALL, STEEL	40
1	1	-	A	690170-1	SPRING, COMPRESSION	39
1	1	-	C	690142-1	DISC, INSULATION	38
1	1	-	D	354777-1	DISC, WIRE	37
1	1	-	A	22480-5	WASHER, SPRING	36
1	1	-	B	690212-1	POST, RAM	35
1	1	-	A	2-690451-5	SPACER, STRIPPER	28
1	1	-	A	240639-4	STRIPPER	27
1	1	-	C	459717-1	PLATE, BASE	26
2	2	-	A	22354-8	DRAG, STUD	25
1	1	-	B	455678-1	PLATE, STRIP GUIDE	24
2	2	-	A	22281-9	SPRING, DRAG	22
1	1	-	A3	464451-1	ARM, STOCK DRAG	21
1	1	-	A3	464452-4	DRAG, STOCK	20
1	1	-	B	2-458030-8	GUIDE, STRIP (REAR)	19
1	1	-	C	454204-1	GUIDE, STRIP (FRONT)	18
1	1	-	A	1804305-2	GUIDE, FEED ROD	17
1	1	-	A	4-22284-9	SPRING, FEED RETURN	16
1	1	-	B	240644-1	PLATE, REAR SHEAR	11
1	1	-	B	6-690482-2	PLATE, FRONT SHEAR	9
1	1	-	D	694442-9	ANVIL	8
1	1	-	B	462374-1	BLADE, SLUG	7
1	1	-	C	2-455888-3	SPACER, SLUG BLADE	5
1	1	-	B	238009-1	SPACER, BLOCK CRIMPER	4
1	1	-	C	3-456134-9	CRIMPER, INSULATION	3
1	1	-	B	455888-1	SPACER, CRIMPER	2
1	1	-	C	1-456402-6	CRIMPER, WIRE	1



QTY	REF	U/M	DWG SIZE	PART NO	DESCRIPTION	ITEM NO
2	2	-	C	7-354779-8	PIN, WIRE DISC (.3380)C	129
2	2	-	C	7-354779-4	PIN, WIRE DISC (.3360)B	127
2	2	-	C	6-354779-8	PIN, WIRE DISC (.3330)A	126
1	1	-	A	986950-1	WASHER, FLAT PRECISION	125
1	1	-	A	217238-1	GENERAL INSTRUCTION PACKAGE	124
1	1	-	-	4088039	EF APPL INST 408-8039	123
						122
						121
1	1	-	A	1-21030-6	PIN, DOWEL (Ø.187x1.25)HSG	120
1	1	-	A	1-21030-1	PIN, DOWEL (Ø.187x.50)LEVER	119
2	2	-	A	21045-3	RING, RET "C" (Ø.187)FD PIN	118
2	2	-	A	1-21046-6	RING, RETAINING, EXT (5/16)FD ADJ ROD	117
						116
						115
2	2	-	A	18028-2	WASHER, FLAT (M4) COUNTER	114
						113
2	2	-	A	21024-5	WASHER, LOCK (NO.10)FD ROD GDE	112
						111
4	4	-	A	21024-4	WASHER, LOCK (NO.8) SHEAR BL	110
2	2	-	A	22593-1	NUT, HEX (1/4-20) MAGNET	109
2	2	-	A	21018-4	NUT, HEX (4-40) DRAG	108
1	1	-	A	21018-5	NUT, HEX (6-32)FD ADJ PL	107
2	2	-	A	1-21000-3	SCR, SHC (4-40x.25)DRAG ARM	106
2	2	-	A	21022-2	NUT, HEX 5L (8-32)DRAG STUD	105
2	2	-	A	9-21000-9	SCR, SHC (8-32x.44) COUNTER	104
1	1	-	A	3-21081-3	SCR, SHC (1/4-20x1.25) MAGNET	103
2	2	-	A	4-21078-8	SCR, SKT SET (4-40x.75)DRAG	102
1	1	-	A	21009-2	SCR, SKT SET (1/4-20x.25)RAM	101
2	2	-	A	21017-2	SCR, DRIVE (#2x.19) ID PLATE	100
1	1	-	A	1-21002-7	SCR, BHC (6-32x.38) CAM	99
1	1	-	B	461264-1	PLATE, IDENTIFICATION	98
1	1	-	A	6-23715-5	SCR, PAN HD (6-32x1.50)FEED ADJ	97
2	2	-	A	994991-5	SCR, OVAL HD (M4x12) COUNTER	96
2	2	-	A	2-21002-2	SCR, BHC (8-32x.50) STRIPPER	95
4	4	-	A	2-21002-9	SCR, BHC (10-32x.75)HSG CAP	94
1	1	-	A	22733-8	SCR, BHC (8-32x.38 LW) ANVIL	93
4	4	-	A	3-21002-3	SCR, BHC (1/4-20x.50) ST 6D PL	92
3	3	-	A	2-22733-8	SCR, BHC (1/4-20x.62) BASE PL	91
						90
						89
						88
						87
						86
4	4	-	A	2-21000-6	SCR, SHC (8-32x.38) STRIP GUIDE	85
						84
						83
2	2	-	A	3-21000-6	SCR, SHC (10-32x.62)FEED ADJ PL	82
1	1	-	A	3-21000-4	SCR, SHC (10-32x.38)PIVOT BLOCK	81
2	2	-	A	2-21002-9	SCR, BHC (10-32x.75) SHEAR PL	80
REF	-	-	A	455745-1	GUARD, WINDOW	79
-	REF	-	A	679532-1	INSERT, GUARD	78
						77
						76
						75
1	1	-	A	690603-1	SPRING, ASSIST	74
1	1	-	A	23030-1	SCR, SKT CAP (6-32x.25) CP DSC	73
1	1	-	A	458109-1	WASHER, FLAT (SPECIAL)	72
1	1	-	A	690517-1	SPACER	71
						70
						69
						68
						67
						66
						65
						64
						63
						62
						61
						60
						59
						58
						57
						56
						55
						54
						53
						52
						51
						50
						49
						48
						47
						46
						45
						44
						43
						42
						41
						40
						39
						38
						37
						36
						35
						34
						33
						32
						31
						30
						29
						28
						27
						26
						25
						24
						23
						22
						21
						20
						19
						18
						17
						16
						15
						14
						13
						12
						11
						10
						9
						8
						7
						6
						5
						4
						3
						2
						1



- 1 RECOMMENDED SPARE PARTS.
- 2 GREASE LIGHTLY.
- 3 GUARD MUST BE IN PLACE WHEN OPERATING APPLICATOR IN A BENCH MACHINE.
- 4 LUBRICATE DAILY USING NO. 20 MACHINE OIL.
- 6 ITEM 78 USED WITH G TERMINATOR ONLY.