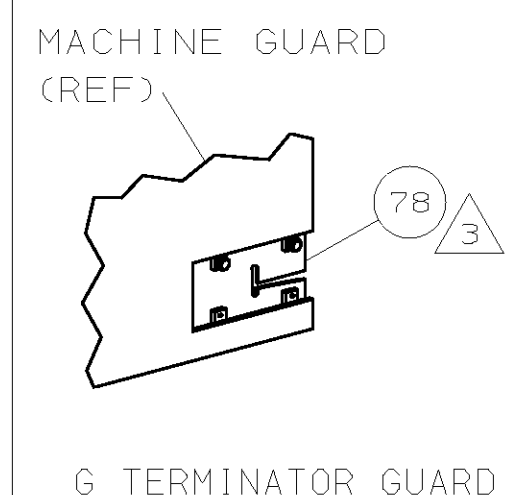
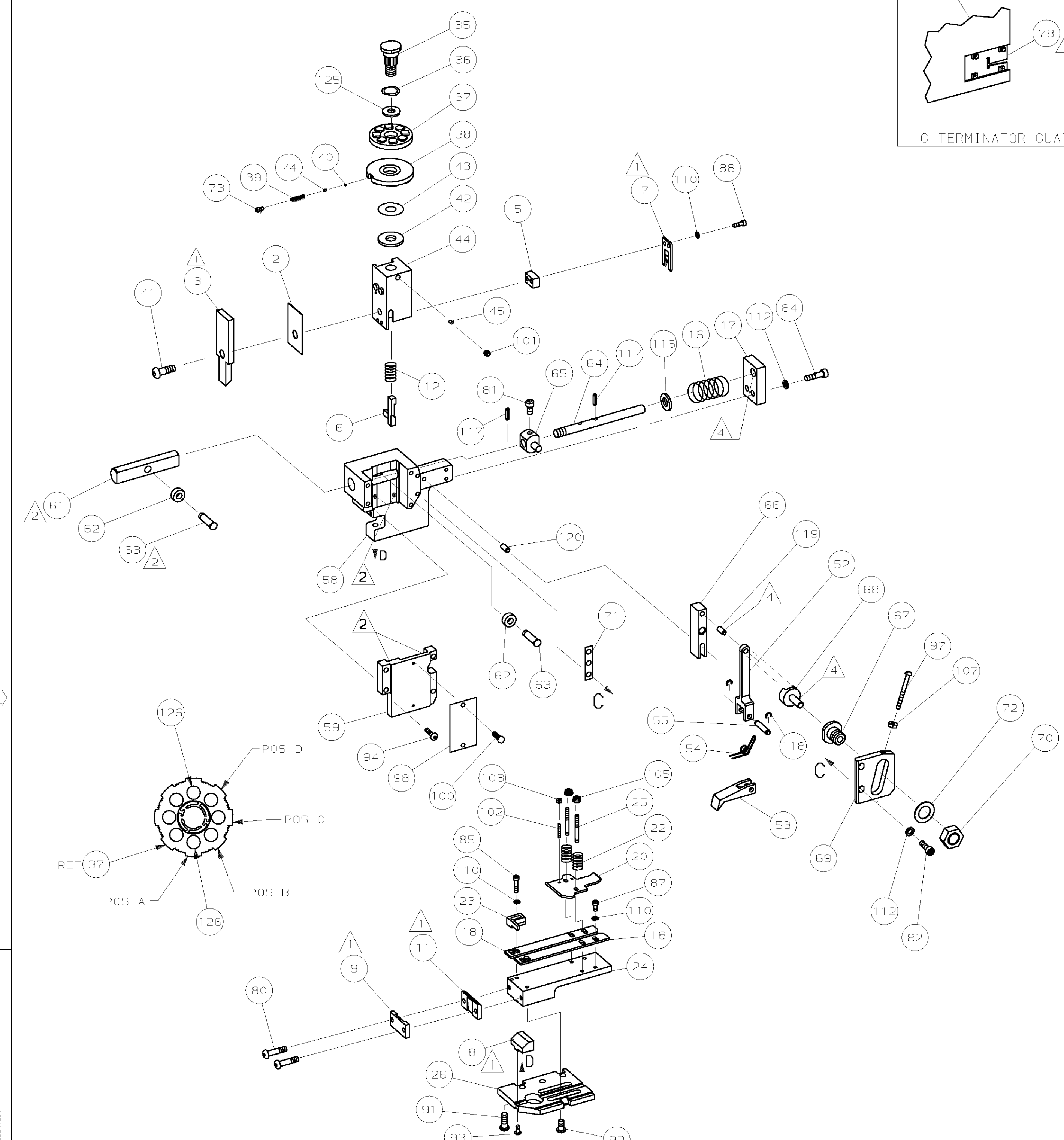


PART NUMBER	REV	FIRST USED
1385032-1	A	122500-1



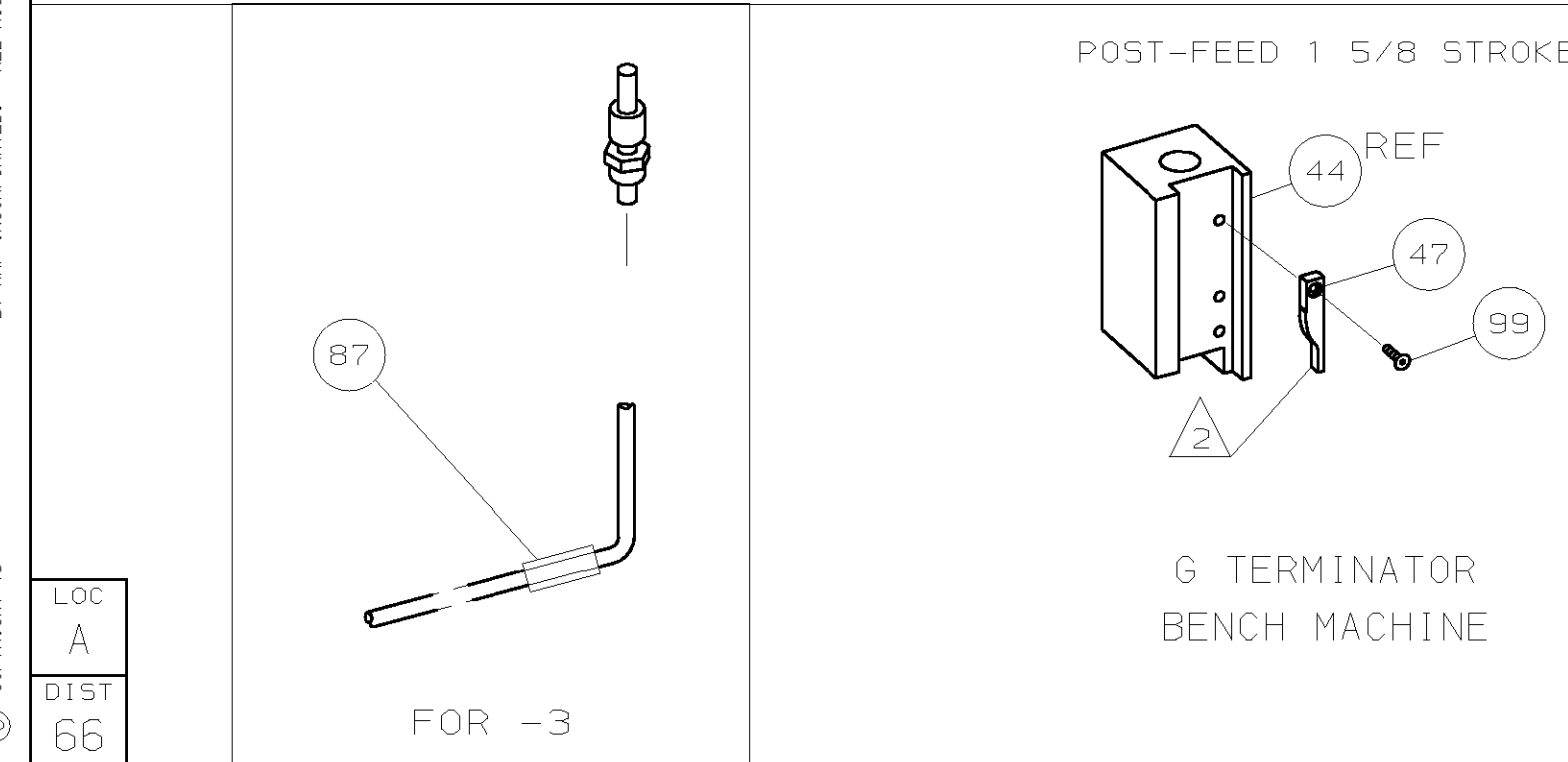
TERMINAL NAME: RECEPTICAL, FASTON, ADAPTER, .250 SERIES				
1217283 CRIMP DATA (AMP TERMINAL)				
PAD LTR	CRIMP HEIGHT	WIRE SIZE		
A	.2930 PIN	-		
B	NOT	USED		
C	NOT	USED		
D	NOT	USED		
CRIMP	SIZE	TYPE	RANGE	
WIRE	-	-	-	
INSUL	-	-	-	
WIRE STRIP LENGTH	TERM APPL SPEC	FEED	APPL INSTRUCTION	SET UP GAGE
-	NONE	.760	408-8039	458638-1
				LAYOUT
				L2342

-1	LEADMAKER & BENCH MODEL G	MECH POST FEED
----	---------------------------	----------------



QTY	REV	REF	DESCRIPTION	ITEM NO
				129
				128
				127
2	-	C	8-354778-7 PIN, WIRE DISC (.2930)A	126
1	-	A	986950-1 WASHER, FLAT PRECISION	125
1	-	A	217238-1 GENERAL INSTRUCTION PACKAGE	124
1	-	-	4088039 EF APPL INST 408-8039	123
				122
				121
REF	-	A	1-21030-7 PIN, DOWEL (Ø.187x1.50)H56	120
REF	-	A	1-21030-1 PIN, DOWEL (Ø.187x.50)LEVER	119
REF	-	A	21045-3 RING, RET "C" (Ø.187)FD PIN	118
REF	-	A	5-21028-1 PIN, STD SPRING (Ø.12)FD ADJ ROD	117
REF	-	A	21899-4 WASHER, FLAT (Ø5/16) SCR ADJ	116
				115
				114
				113
REF	-	A	21024-5 WASHER, LOCK (NO.10)FD ROD GDE	112
				111
7	-	A	21024-4 WASHER, LOCK (NO.8)SHEAR BL	110
				109
2	-	A	21018-4 NUT, HEX (4-40)DRAG	108
REF	-	A	21018-5 NUT, HEX (6-32)FD ADJ PL	107
				106
				105
2	-	A	21022-2 NUT, HEX SL (8-32)DRAG STUD	104
				103
2	-	A	2-21006-6 SCR, SKT SET (4-40x.62)DRAG	102
1	-	A	21009-2 SCR, SKT SET (1/4-20x.25)RAM	101
2	-	A	21017-2 SCR, DRIVE (#2x.19)ID PLATE	100
1	-	A	1-21002-7 SCR, BHC (6-32x.38)CAM	99
1	-	B	461264-1 PLATE, IDENTIFICATION	98
REF	-	A	6-23715-5 SCR, PAN HD (6-32x1.50)FEED ADJ	97
				96
				95
REF	-	A	2-21002-9 SCR, BHC (10-32x.75)H56 CAP	94
1	-	A	22733-8 SCR, BHC (8-32x.38 LW)ANVIL	93
4	-	A	3-21002-3 SCR, BHC (1/4-20x.50)ST 6D PL	92
REF	-	A	2-22733-8 SCR, BHC (1/4-20x.62)BASE PL	91
				90
				89
5	-	A	2-21000-6 SCR, SHC (8-32x.38)SLUG BLADE	88
1	-	B	318848-1 AIR BLAST ASSY	87
				86
2	-	A	2-21000-7 SCR, SHC (8-32x.50)R STP GUIDE	85
REF	-	A	3-21000-7 SCR, SHC (10-32x.75)FEED ROD GDE	84
				83
REF	-	A	3-21000-6 SCR, SHC (10-32x.62)FEED ADJ PL	82
REF	-	A	3-21000-4 SCR, SHC (10-32x.38)PIVOT BLOCK	81
2	-	A	3-21002-0 SCR, BHC (10-32x.88)SHEAR PL	80
				79
REF	-	A	679532-1 INSERT, GUARD	78
				77
				76
				75
1	-	A	690603-1 SPRING, ASSIST	74
1	-	A	23030-1 SCR, SKT CAP (6-32x.25)CP DSC	73
REF	-	A	458109-1 WASHER, FLAT (SPECIAL)	72
REF	-	A	690517-1 SPACER	71
				70
				69
				68
				67
				66
				65
				64
				63
				62
				61
				60
				59
				58
				57
				56
				55
				54
				53
				52
				51
				50
				49
				48
1	-	B	690501-4 CAM, POST-FEED 1 5/8 ST	47
				46
1	-	A	690191-1 PLUG, NYLON	45
1	-	C	455674-1 RAM	44
1	-	A	690125-1 WASHER, LAMINATED	43
1	-	A	690124-1 WASHER, RAM	42
1	-	A	7-21002-9 BOLT, CRIMPER (5/16-24x1.00)	41
1	-	A	23241-6 BALL, STEEL	40
1	-	A	690170-1 SPRING, COMPRESSION	39
1	-	C	690142-1 DISC, INSULATION	38
1	-	D	354777-1 WIRE DISC, PLASTIC	37
1	-	A	22480-5 WASHER, SPRING	36
1	-	B	690212-1 POST, RAM	35
				34
				33
1	-	D	458980-1 APPLICATOR, BASIC (SUB ASSY)	32
				31
				30
				29
				28
				27
REF	-	C	455676-1 PLATE, BASE	26
2	-	A	22354-8 DRAG, STUD	25
1	-	B	455678-1 PLATE, STRIP GUIDE	24
1	-	C	240825-9 PLATE, STRIP HOLD DOWN	23
2	-	A	4-22281-1 SPRING, DRAG	22
				21
1	-	A	454177-1 DRAG, STOCK	20
				19
2	-	C	454204-1 GUIDE, STRIP (FRONT)	18
REF	-	A	454178-1 GUIDE, FEED ROD	17
REF	-	A	4-22284-9 SPRING, FEED RETURN	16
				15
				14
				13
1	-	A	23846-1 SPRING, HOLD DOWN	12
1	-	B	240644-1 PLATE, REAR SHEAR	11
				10
1	-	B	690482-6 PLATE, FRONT SHEAR	9
1	-	D	1338474-1 ANVIL	8
1	-	B	690474-6 BLADE, SLUG	7
1	-	D	2-455892-1 HOLD DOWN, TERMINAL	6
1	-	C	240641-7 SPACER, SLUG BLADE	5
				4
1	-	C	1338473-2 CRIMPER, INSULATION	3
1	-	B	1-455888-9 SPACER, CRIMPER	2
				1

REF	REV	DESCRIPTION	ITEM NO	
REF	-	A	22594-8 NUT, HEX	70
REF	-	B	240628-1 PLATE, ADJ	69
REF	-	B	240626-1 SHAFT, PIVOT	68
REF	-	B	240633-1 BUSHING	67
REF	-	A	455680-1 LEVER, INTERMEDIATE	66
REF	-	B	240629-1 BLOCK, PIVOT	65
REF	-	A	240632-2 SCR, ADJ	64
REF	-	B	240659-3 PIN, CAM ROLLER	63
REF	-	B	240658-1 CAM, ROLLER	62
REF	-	B	454398-1 ROD, FEED	61
				60
REF	-	C	454220-1 CAP, RAM	59
REF	-	D	453736-1 HOUSING	58
				57
				56
REF	-	B	240624-1 PIN, FEED FINGER	55
REF	-	B	691499-1 SPRING, FEED FINGER	54
REF	-	B	240635-1 FINGER, FEED	53
REF	-	B	240634-1 LEVER, TERMINAL	52
				51
				50
				49
				48
1	-	B	690501-4 CAM, POST-FEED 1 5/8 ST	47
				46
1	-	A	690191-1 PLUG, NYLON	45
1	-	C	455674-1 RAM	44
1	-	A	690125-1 WASHER, LAMINATED	43
1	-	A	690124-1 WASHER, RAM	42
1	-	A	7-21002-9 BOLT, CRIMPER (5/16-24x1.00)	41
1	-	A	23241-6 BALL, STEEL	40
1	-	A	690170-1 SPRING, COMPRESSION	39
1	-	C	690142-1 DISC, INSULATION	38
1	-	D	354777-1 WIRE DISC, PLASTIC	37
1	-	A	22480-5 WASHER, SPRING	36
1	-	B	690212-1 POST, RAM	35
				34
				33
1	-	D	458980-1 APPLICATOR, BASIC (SUB ASSY)	32
				31
				30
				29
				28
				27
REF	-	C	455676-1 PLATE, BASE	26
2	-	A	22354-8 DRAG, STUD	25
1	-	B	455678-1 PLATE, STRIP GUIDE	24
1	-	C	240825-9 PLATE, STRIP HOLD DOWN	23
2	-	A	4-22281-1 SPRING, DRAG	22
				21
1	-	A	454177-1 DRAG, STOCK	20
				19
2	-	C	454204-1 GUIDE, STRIP (FRONT)	18
REF	-	A	454178-1 GUIDE, FEED ROD	17
REF	-	A	4-22284-9 SPRING, FEED RETURN	16
				15
				14
				13
1	-	A	23846-1 SPRING, HOLD DOWN	12
1	-	B	240644-1 PLATE, REAR SHEAR	11
				10
1	-	B	690482-6 PLATE, FRONT SHEAR	9
1	-	D	1338474-1 ANVIL	8
1	-	B	690474-6 BLADE, SLUG	7
1	-	D	2-455892-1 HOLD DOWN, TERMINAL	6
1	-	C	240641-7 SPACER, SLUG BLADE	5
				4
1	-	C	1338473-2 CRIMPER, INSULATION	3
1	-	B	1-455888-9 SPACER, CRIMPER	2
				1



- 1 RECOMMENDED SPARE PARTS.
- 2 GREASE LIGHTLY.
- 3 GUARD MUST BE IN PLACE WHEN OPERATING APPLICATOR IN A BENCH MACHINE.
- 4 LUBRICATE DAILY USING NO. 20 MACHINE OIL.
- 5. ITEMS WITH QTY OF REF SPECIFIED (EXCEPT ITEMS 78 AND 79) ARE USED ON ITEM 32.
- 6 ITEM 78 USED WITH 6 TERMINATOR ONLY.

QTY	REV	REF	DESCRIPTION	ITEM NO	
-1	U/M	Dwg SIZE	PART NO	DESCRIPTION	ITEM NO

QTY	REV	REF	DESCRIPTION	ITEM NO	
-1	U/M	Dwg SIZE	PART NO	DESCRIPTION	ITEM NO

# Mouser Electronics

Authorized Distributor

Click to View Pricing, Inventory, Delivery & Lifecycle Information:

[TE Connectivity:](#)

[1385032-1](#)