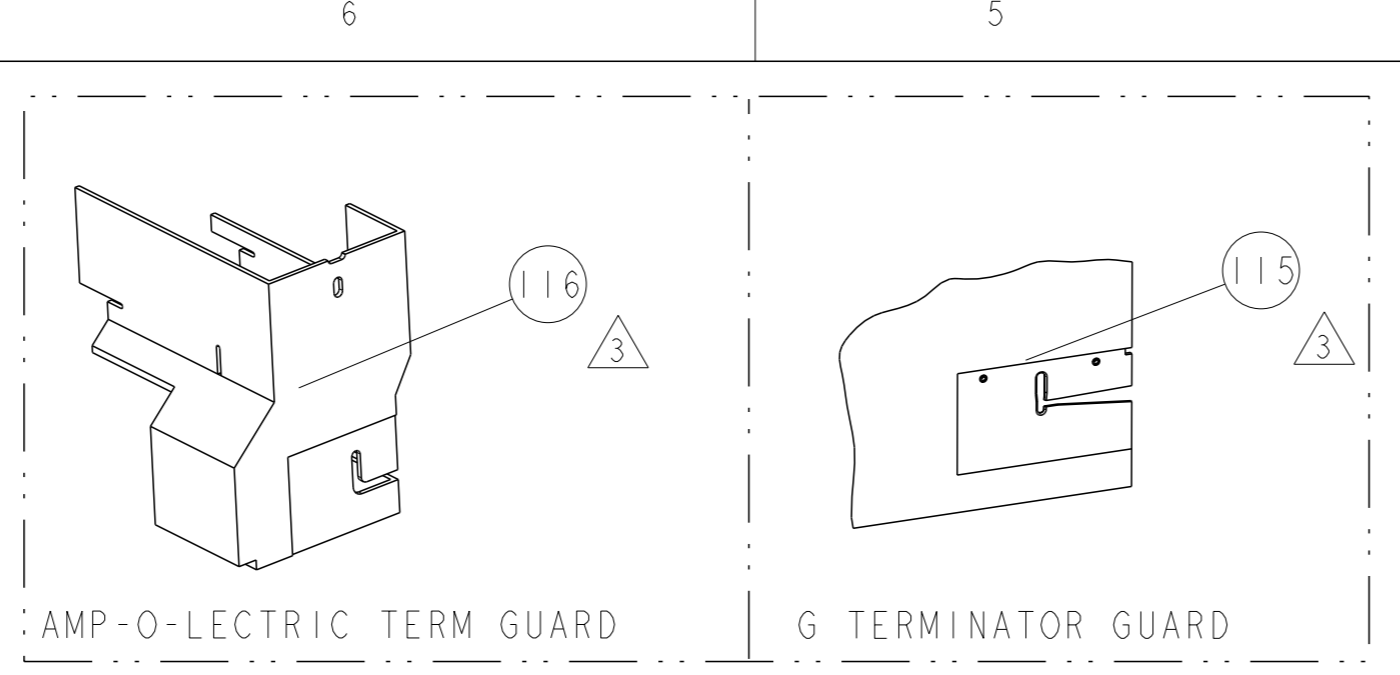


PART NUMBER	REV	FIRST USED	POWER UNIT	FEED TYPE	DESCRIPTION
1852291-1	B	122500-1	LEADMAKER	POST FEED	CUTS CARRIER
1852291-2	B	565435-5	BENCH MODEL K	PRE FEED	CUTS CARRIER
1852291-3	B	354500-1	BENCH MODEL G	PRE FEED	CUTS CARRIER
1852291-6	B	122500-1	LEADMAKER	POST FEED	CONTINUOUS CARRIER
7-1852291-7	A	-	-	-	SPARE PARTS

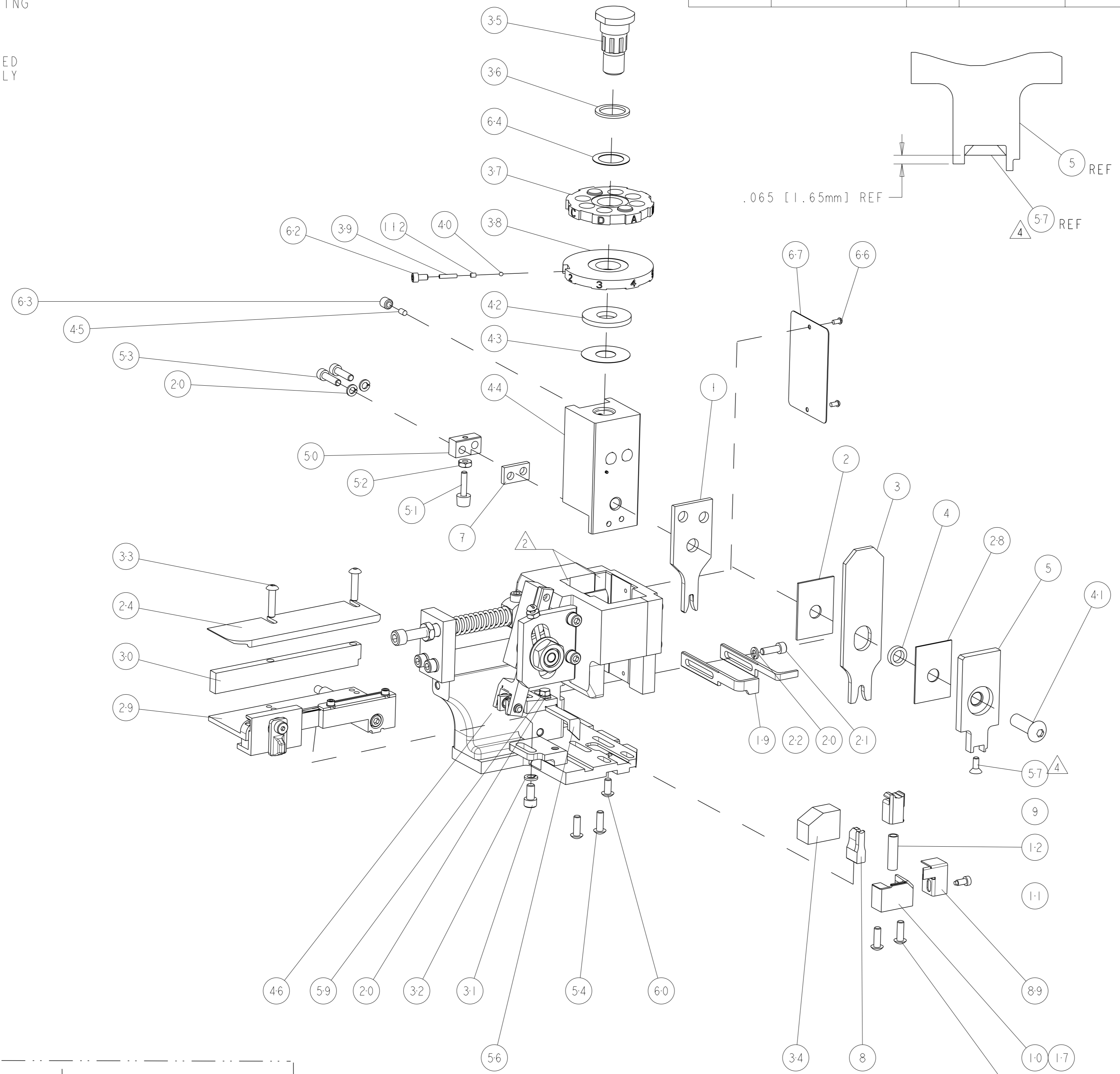
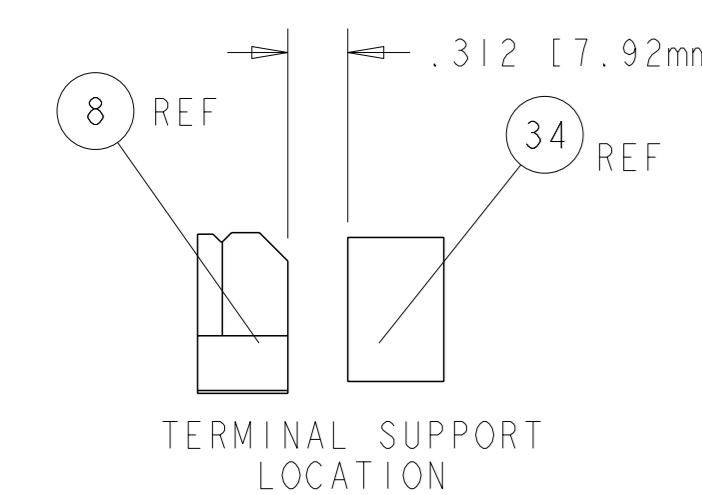
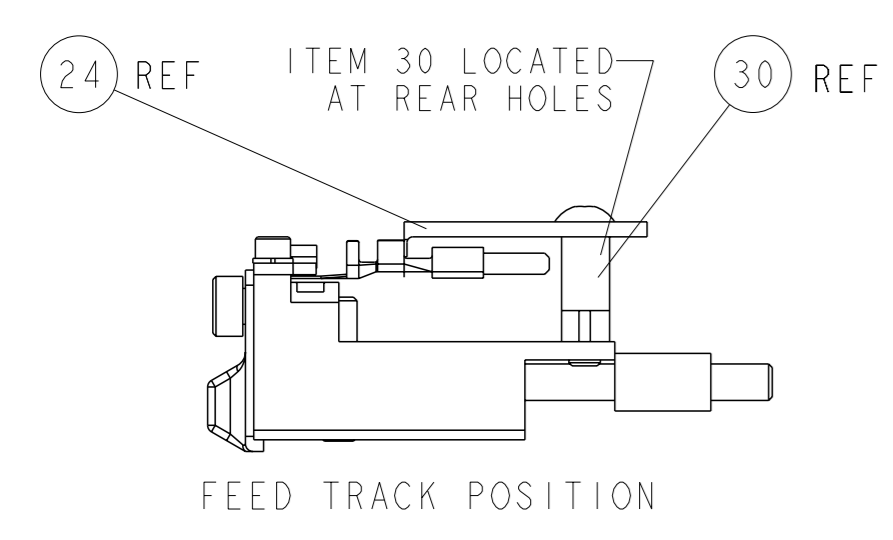
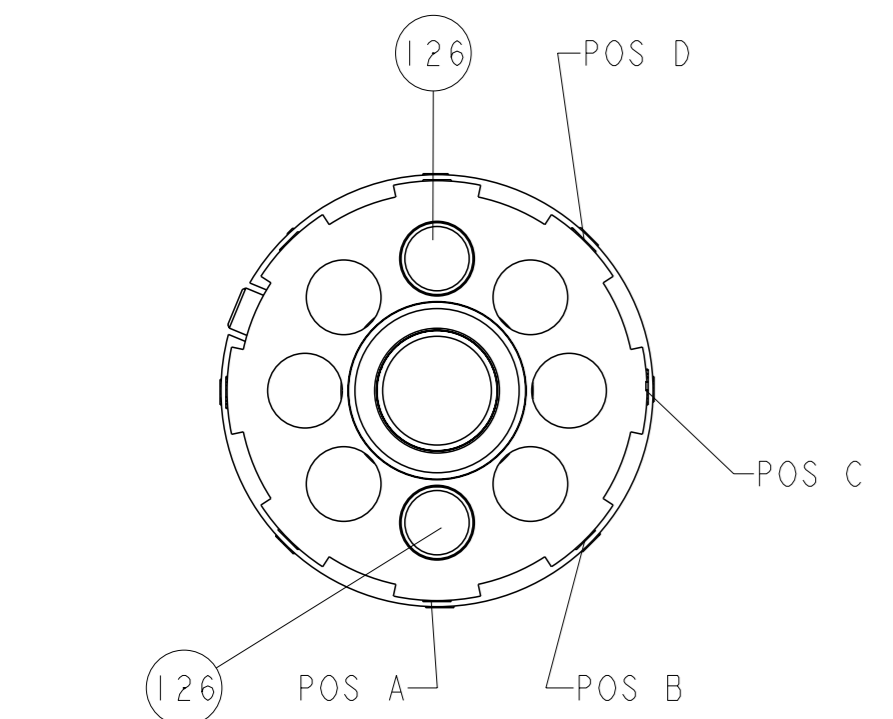


TE PN	MANUF PN	AMP TERMINAL - AMP CRIMP SPECS			
1-1719504-1	-	AMP TERMINAL - AMP CRIMP SPECS			
1-1719504-2	-	PAD LTR	CRIMP HEIGHT		WIRE SIZE
-	-	A	2.10±0.05mm [.083±.002]	12 AWG	
-	-	B	-	-	
-	-	C	-	-	
-	-	D	-	-	
SEAL PN.	CRIMP	SIZE	TYPE	RANGE	
828905-1	-	WIRE	2.79mm [.110]	F	12 AWG
282536-1	-	INSUL	4.32mm [.170]	O	△ 6
WIRE STRIP LENGTH	TERM APPL SPEC	FEED	APPL INSTRUCTIONS	SET UP GAGE	
4.75-5.13mm	114-18051	14.50mm	408-8040	458637-1	

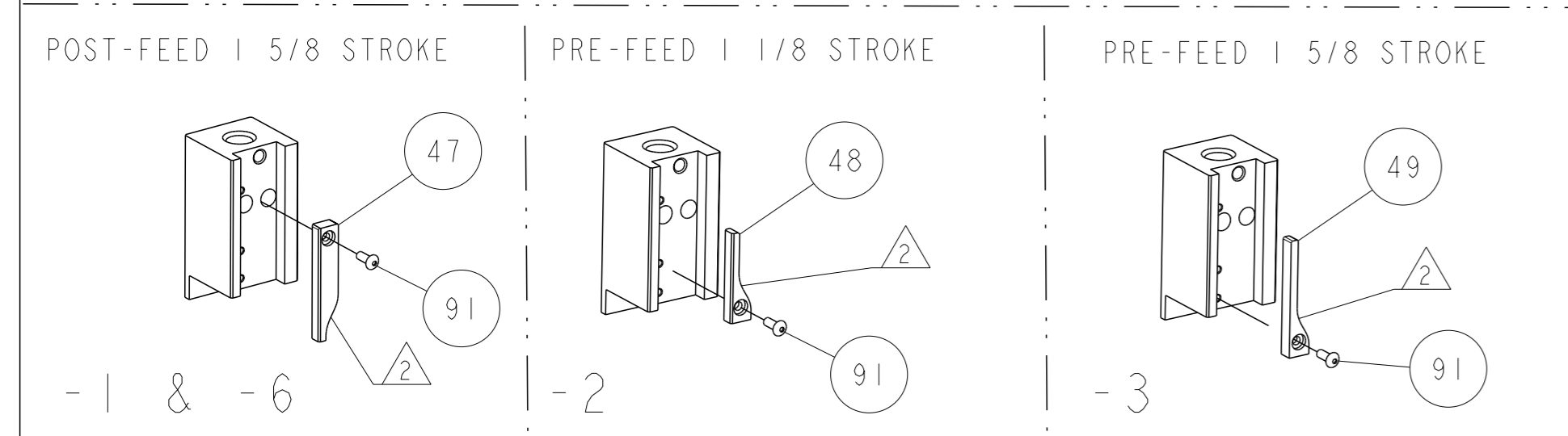
LOC	DIST	REVISIONS					
A	66	F	LTR	DESCRIPTION	DATE	DWN	APVD
		A		RELEASED	13JUL2006	MEH	GB
		B		ECR-10-010903	20MAY2010	MY	TE

- △ RECOMMENDED SPARE PARTS
- △ GREASE LIGHTLY
- △ GUARD MUST BE IN PLACE WHEN OPERATING APPLICATOR IN A BENCH MACHINE
- △ APPLY TORQ-SEAL IN ALLEN SOCKET TO FILL HOLE AFTER FLAT HD HAS BEEN ADJUSTED TO CORRECT HEIGHT AT QUALIFICATION. APPLY PN 1-23419-5 LOC-TITE TO THREADS.
- △ THIS APPLICATOR APPLIES A TERMINAL WITH A SEAL.

SEAL P/N	INS RANGE
828905-1	∅ 2.2-3.0mm
282536-1	∅ 3.35mm MAX



△ 3	-	2	2	2	2	-	6-354778-2	PIN, WIRE DISC, .2805	126
△ 3	-	-	-	REF	-	-	455749-1	GUARD WINDOW	116
	-	-	REF	-	-	-	679532-1	INSERT, GUARD	115
	-	1	1	1	1	-	690603-1	SPRING ASSIST AMP-O-MATOR APPLICATOR	112
	-	1	1	1	1	-	1-21002-7	SCR, BTN SKT HD CAP 6-32 X .375	91
	-	1	1	1	1	-	318563-1	GUARD, FRONT CHIP	89
	-	1	1	1	1	-	4088040	SF APPL INST 408-8040	72
	-	1	1	1	1	-	217238-1	GENERAL INSTRUCTION PKG	71
	-	1	1	1	1	-	461264-1	PLATE, IDENTIFICATION	67
	-	2	2	2	2	-	21017-2	SCREW, DRIVE	66
	-	1	1	1	1	-	986950-1	WASHER, FLAT PRECISION	64
	-	1	1	1	1	-	21009-2	SCR, SET, SELF LOCKING 1/4-20 X .250	63
	-	1	1	1	1	-	23030-1	SCR, SKT HD CAP 6-32 X .25	62
	-	1	1	1	1	-	22733-8	SCR, BHSC, SELF-LOCKING, 8-32 X .375	60
△ 4	-	1	1	1	1	-	2-22603-0	SCR, HEX HD CAP 8-32 X .312	59
	-	1	1	1	1	-	1-21003-9	SCR, FLT SKT HD CAP 6-32 X .375	57
	-	1	1	1	1	-	458537-2	PAWL, FEED	56
	-	4	4	4	4	-	2-21002-2	SCR, BTN SKT HD CAP 8-32 X .500	54
	-	2	2	2	2	-	2-21000-8	SCR, SKT HD CAP 8-32 X .625	53
	-	1	1	1	1	-	21018-5	NUT, HEX, REG 6-32	52
	-	1	1	1	1	-	811242-2	BUMPER, HOLD DOWN	51
	-	1	1	1	1	-	690753-1	SPACER, TONKER	50
	-	-	-	1	-	-	690602-6	CAM, PRE FEED, 1 5/8	49
	-	-	-	1	-	-	690602-5	CAM, PRE FEED, 1 1/8	48
	-	1	-	-	-	-	690501-4	CAM, POST-FEED 1 5/8	47
	-	1	1	1	1	-	459456-1	APPL. BASIC SUB ASSY (SIDE WISE MOCA)	46
	-	1	1	1	1	-	690191-1	PLUG, NYLON	45
	-	1	1	1	1	-	455673-1	RAM, SIDE FEED	44
	-	1	1	1	1	-	690125-1	SHIM SUB-ASSY	43
	-	1	1	1	1	-	690124-1	WASHER, RAM (.115)	42
	-	1	1	1	1	-	7-21002-9	SCR, BTN SKT HD CAP 5/16-24 X 1.00	41
	-	1	1	1	1	-	23241-6	BALL, STEEL	40
	-	1	1	1	1	-	690170-1	SPRING, COMPRESSION	39
	-	1	1	1	1	-	1-690142-3	DISC, INSULATION	38
	-	1	1	1	1	-	354777-1	WIRE DISC, ASSEMBLY	37
	-	1	1	1	1	-	22480-5	SPRING, COMPRESSION	36
	-	1	1	1	1	-	690212-1	POST, RAM	35
	-	1	1	1	1	-	690786-6	TERMINAL SUPPORT	34
	-	2	2	2	2	-	2-21002-4	SCR, BTN SKT HD CAP 8-32 X .750	33
	-	1	1	1	1	-	21024-5	WASHER, SPRG LOCK, REG NO 10	32
	-	1	1	1	1	-	3-21000-4	SCR, SKT HD CAP 10-32 X .375	31
	-	1	1	1	1	-	1320908-6	SPACER, STRIP GUIDE	30
	-	1	1	1	1	-	1633091-1	ASSEMBLY, STRIP GUIDE	29
	-	1	1	1	1	-	455888-7	SPACER, CRIMPER	28
	-	1	1	1	1	-	1320928-1	PLATE, STRIP GUIDE	24
	-	1	-	-	-	-	690472-2	STRIPPER	22
	-	1	1	1	1	-	2-21000-7	SCR, SKT HD CAP 8-32 X .500	21
	-	4	4	4	4	-	21024-4	WASHER, SPRG LOCK, REG NO 8	20
	-	-	-	1	-	-	691353-1	STRIPPER	19
△ 1	-	1	-	-	-	-	679625-2	SHEAR HOLDER, FRONT (NO CUT)	17
	-	1	1	1	1	-	3-22280-3	SPRING, COMPRESSION	12
	-	1	1	1	1	-	690461-2	STOP, SHEAR	11
△ 1	-	1	-	1	1	-	1-690459-0	SHEAR HOLDER, FRONT	10
	-	1	1	1	1	-	318707-2	FLOATING SHEAR, FRONT	9
△ 1	1	1	1	1	1	-	1633112-5	ANVIL, COMBINATION .110	8
	-	1	1	1	1	-	5-240641-2	SPACER	7
	-	1	1	1	1	-	318701-1	DEPRESSOR, SHEAR	5
	-	1	1	1	1	-	238011-2	BLOCK, CRIMPER SPACER	4
△ 1	1	1	1	1	1	-	904741-3	CRIMPER, INSUL O PREMIUM	3
	-	1	1	1	1	-	1-455888-0	SPACER, CRIMPER	2
△ 1	1	1	1	1	1	-	2-456408-0	CRIMPER, WIRE PREMIUM	1



ITEM NO	PART NO	DESCRIPTION	ITEM NO
-77	-6	-3	-2
-1	U/M	PART NO	DESCRIPTION

DIMENSIONS: INCHES 	TOLERANCES UNLESS OTHERWISE SPECIFIED: 0 PLC ±.01 1 PLC ±.01 2 PLC ±.001 3 PLC ±.001 4 PLC ±.0001 ANGLES ±.01 FINISH	DWN M. HERR 16JUN2006 CHK T. ELBIN 16JUN2006 APVD T. BENCHOFF 16JUN2006 NAME PRODUCT SPEC APPLICATION SPEC WEIGHT MATERIAL	tyco Tyco Electronics Harrisburg, PA 17105-3608 SIDE FEED HDM APPLICATOR SIZE CAGE CODE DRAWING NO A1 00779 C=1852291 RESTRICTED TO CUSTOMER ACCESSIBLE PRODUCTION DRAWING SCALE 3:5 SHEET 1 OF 1 REV B
---------------------------	---	---	--