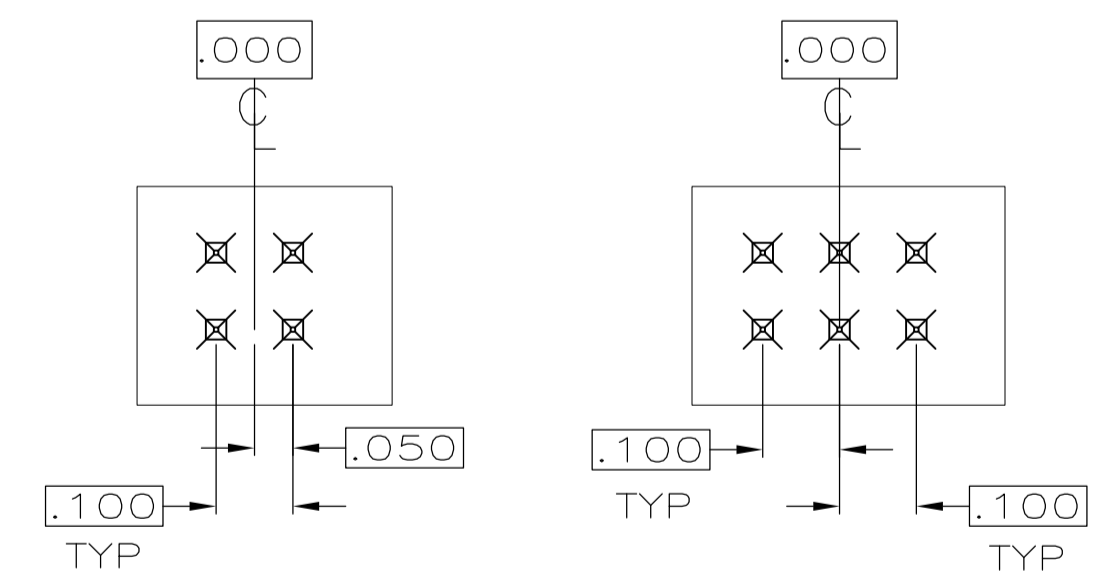
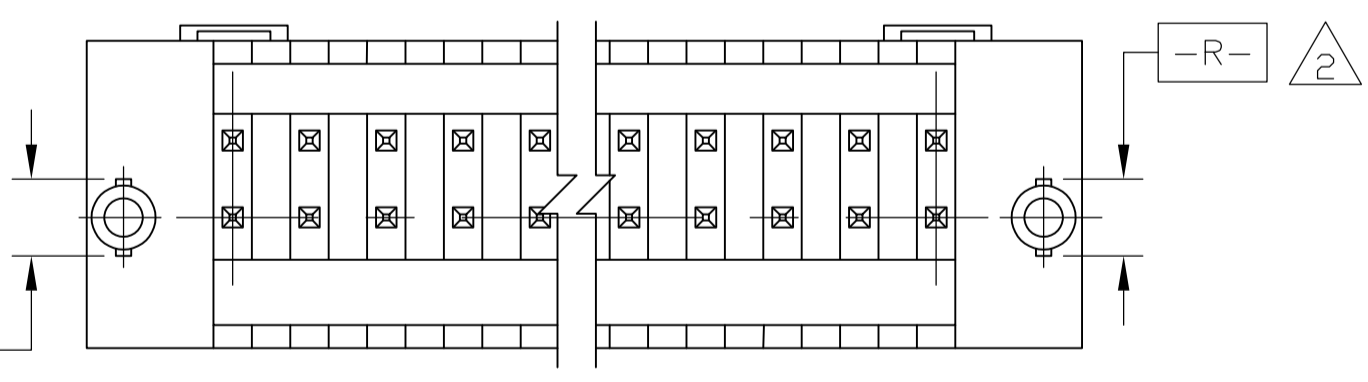
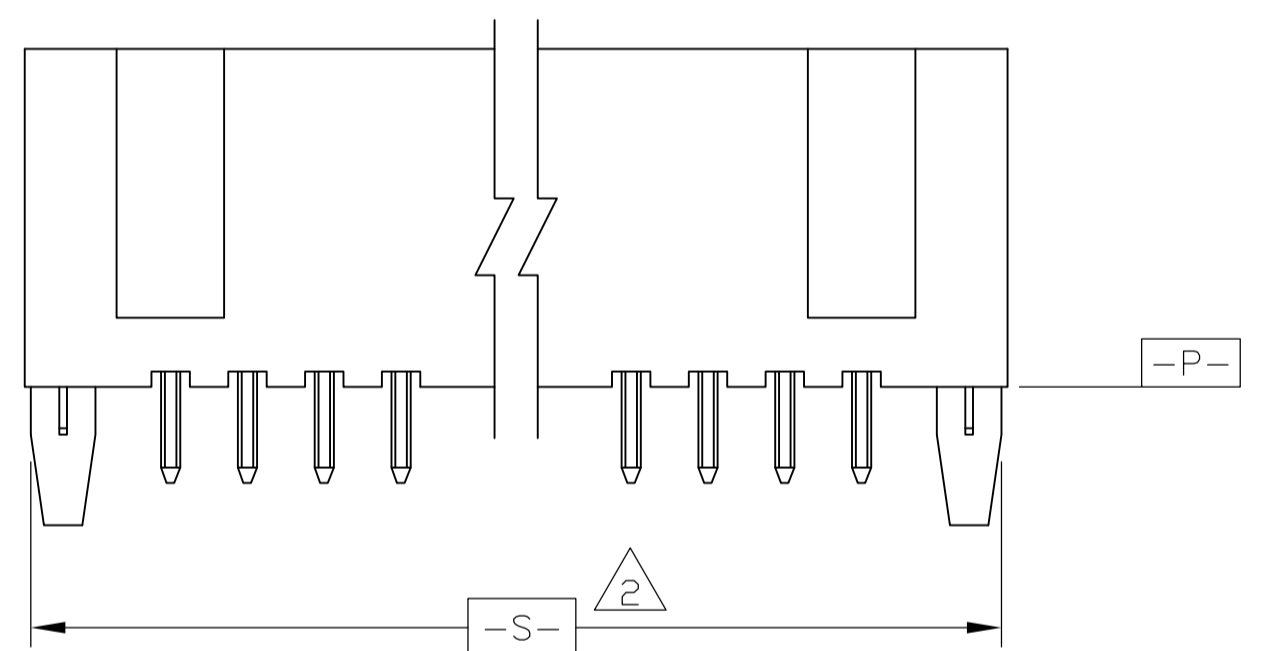
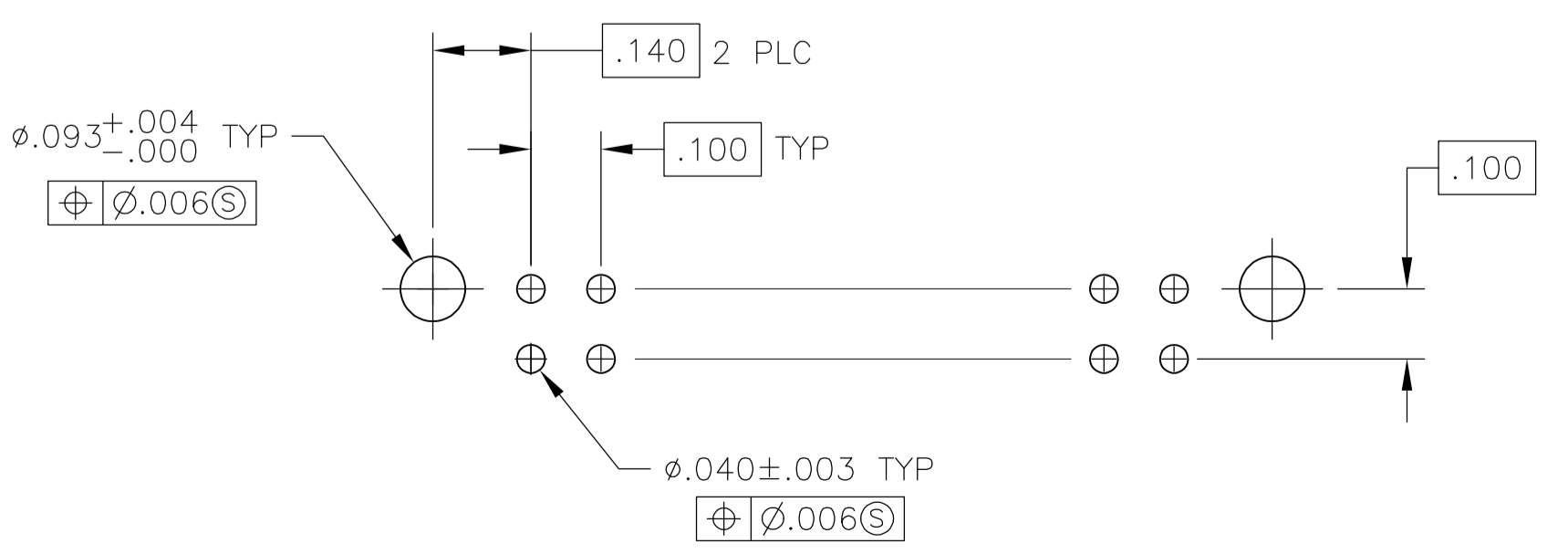


SECTION X-X



BASIC DIMENSION FOR ODD NO. OF SPACES (SEE TABLE) BASIC DIMENSION FOR EVEN NO. OF SPACES (SEE TABLE)

DETAIL Z



RECOMMENDED HOLE LAYOUT

- 1 THE NOTED DIMENSIONS APPLY AT THE INTERSECTION OF THE POST AND HOUSING
- 2 THE NOTED DIMENSIONS APPLY AT THE INTERSECTION WITH DATUM -P-
- 3 POINT OF MEASUREMENT FOR PLATING THICKNESS
- 4 PRELIMINARY PART - NOT RELEASED FOR PRODUCTION.
- 5 MATERIAL: HOUSING- FLAME RETARDANT THERMOPLASTIC, COLOR- BLACK
POST- PHOS BRONZE
- 6 FINISH: POST- .000015 GOLD IN CONTACT AREA, .000100-.000200 MATTE TIN-LEAD ON SOLDERTAIL, ALL OVER .000050 NICKEL
- 7 FINISH: POST- .000015 GOLD IN CONTACT AREA, .000100-.000200 MATTE TIN ON SOLDERTAIL, ALL OVER .000050 NICKEL
- 8 OBSOLETE PARTS: OBSOLETE CIS STREAMLINING PER D.RENAUD/D.SINISI

| | | | | | | |
|---|----------|-------|-------|----|----|------------|
| 8 | OBSOLETE | 1.900 | 1.600 | 16 | 34 | 6-104317-8 |
| | OBSOLETE | 2.000 | 1.700 | 17 | 36 | 6-104317-7 |
| 7 | OBSOLETE | 1.000 | .700 | 7 | 16 | 6-104317-6 |
| | OBSOLETE | 2.300 | 2.000 | 20 | 42 | 6-104317-5 |
| 6 | OBSOLETE | 2.700 | 2.400 | 24 | 50 | 6-104317-4 |
| | OBSOLETE | 2.600 | 2.300 | 23 | 48 | 6-104317-3 |
| 5 | OBSOLETE | 2.200 | 1.900 | 19 | 40 | 6-104317-2 |
| | OBSOLETE | 1.800 | 1.500 | 15 | 32 | 6-104317-1 |
| 4 | OBSOLETE | 1.700 | 1.400 | 14 | 30 | 6-104317-0 |
| | OBSOLETE | 1.500 | 1.200 | 12 | 26 | 5-104317-9 |
| 3 | OBSOLETE | 1.400 | 1.100 | 11 | 24 | 5-104317-8 |
| | OBSOLETE | 1.300 | 1.000 | 10 | 22 | 5-104317-7 |
| 2 | OBSOLETE | 1.200 | .900 | 9 | 20 | 5-104317-6 |
| | OBSOLETE | 1.100 | .800 | 8 | 18 | 5-104317-5 |
| 1 | OBSOLETE | .900 | .600 | 6 | 14 | 5-104317-4 |
| | OBSOLETE | .800 | .500 | 5 | 12 | 5-104317-3 |
| 8 | OBSOLETE | .700 | .400 | 4 | 10 | 5-104317-2 |
| | OBSOLETE | .500 | .200 | 2 | 6 | 5-104317-1 |
| 7 | OBSOLETE | .600 | .300 | 3 | 8 | 4-104317-9 |
| | OBSOLETE | 1.900 | 1.600 | 16 | 34 | 1-104317-8 |
| 6 | OBSOLETE | 2.000 | 1.700 | 17 | 36 | 1-104317-7 |
| | OBSOLETE | 1.000 | .700 | 7 | 16 | 1-104317-6 |
| 5 | OBSOLETE | 2.300 | 2.000 | 20 | 42 | 1-104317-5 |
| | OBSOLETE | 2.700 | 2.400 | 24 | 50 | 1-104317-4 |
| 4 | OBSOLETE | 2.600 | 2.300 | 23 | 48 | 1-104317-3 |
| | OBSOLETE | 2.200 | 1.900 | 19 | 40 | 1-104317-2 |
| 3 | OBSOLETE | 1.800 | 1.500 | 15 | 32 | 1-104317-1 |
| | OBSOLETE | 1.700 | 1.400 | 14 | 30 | 1-104317-0 |
| 2 | OBSOLETE | 1.500 | 1.200 | 12 | 26 | 104317-9 |
| | OBSOLETE | 1.400 | 1.100 | 11 | 24 | 104317-8 |
| 1 | OBSOLETE | 1.300 | 1.000 | 10 | 22 | 104317-7 |
| | OBSOLETE | 1.200 | .900 | 9 | 20 | 104317-6 |
| 8 | OBSOLETE | 1.100 | .800 | 8 | 18 | 104317-5 |
| | OBSOLETE | .900 | .600 | 6 | 14 | 104317-4 |
| 7 | OBSOLETE | .800 | .500 | 5 | 12 | 104317-3 |
| | OBSOLETE | .700 | .400 | 4 | 10 | 104317-2 |
| 6 | OBSOLETE | .500 | .200 | 2 | 6 | 104317-1 |
| | OBSOLETE | | | | | |

| | | | | | |
|---------|---|---|---|------------|----------------------|
| PLATING | C | B | A | NO OF POSN | ASSEMBLY PART NUMBER |
|---------|---|---|---|------------|----------------------|

THIS DRAWING IS A CONTROLLED DOCUMENT. DIN H MOLL 10-19-87. CHK R FEJDT 10-19-87. NAME: HDR ASSY, MOD II, SHROUDED, 4 SIDES, DBL ROW, VERTICAL, .100X.100 CL, WITH .025 SQ POSTS. PRODUCT SPEC: APPLICATION SPEC: SIZE: A1. CASE CODE: 00779. DRAWING NO: 104317. WEIGHT: RESTRICTED TO: CUSTOMER DRAWING. SCALE: 4:1. SHEET: 1 OF 1. REV: K2.

Mouser Electronics

Authorized Distributor

Click to View Pricing, Inventory, Delivery & Lifecycle Information:

[TE Connectivity:](#)

[1-104317-1](#)