

VS-TO-RO-MCBK-F1422/1422

Order No.: 1404304

Terminal outlet 2xM12 8-pos.


<http://eshop.phoenixcontact.de/phoenix/treeViewClick.do?UID=1404304>

Terminal outlet M12 IP65/67, 2 slots 8-pos. A-coded, with protective plugs, 2 cable entries

Ethernet

sercos
the automation bus

Commercial data

GTIN (EAN)	 4 046356 305402
sales group	D551
Pack	1 pcs.
Customs tariff	85369085
Catalog page information	Page 328 (PC-2011)

Product notes

WEEE/RoHS-compliant since:
07/25/2007

<http://www.download.phoenixcontact.com>
Please note that the data given here has been taken from the online catalog. For comprehensive information and data, please refer to the user documentation. The General Terms and Conditions of Use apply to Internet downloads.

Technical data

Mechanical characteristics

Number of slots	2
Color	black
Ambient temperature (operation)	-40 °C ... 70 °C

Material data

Housing material	Aluminum cast alloy, powder-coated
Degree of protection	IP65/67

Electrical characteristics

Transmission characteristics (category)	CAT5 (IEC 11801:2002), CAT5e (TIA 568B:2001)
---	--

Accessories

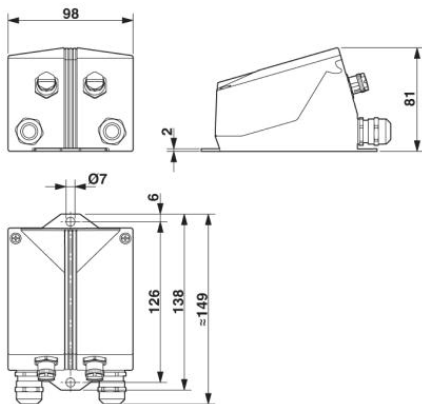
Item	Designation	Description
General		
1543236	SACC-M12MS-8Q SH	Bus system connector, connector, straight, 8-pos., M12 shielded, QUICKON connection block, cable diameter max. 8 mm
1656725	VS-08-RJ45-5-Q/IP20	RJ45 connector, IP20, CAT5e, 8-pos., with QUICKON fast connection technology, for 1-wire and 7-wire conductors AWG 26 ... 22, for cable diameter of 4.5 mm ... 8.0 mm, TIA 568 B labeling, color: gray

Tools

1657407	VS-CABLE-STRIP-VARIO	Stripping tool, for the multi-level stripping of shielded cables
---------	----------------------	--

Diagrams/Drawings

Dimensioned drawing



Terminal outlet 2xM12 8-pos.

Address

PHOENIX CONTACT Inc., USA
586 Fulling Mill Road
Middletown, PA 17057, USA
Phone (800) 888-7388
Fax (717) 944-1625
<http://www.phoenixcon.com>



© 2011 Phoenix Contact
Technical modifications reserved;