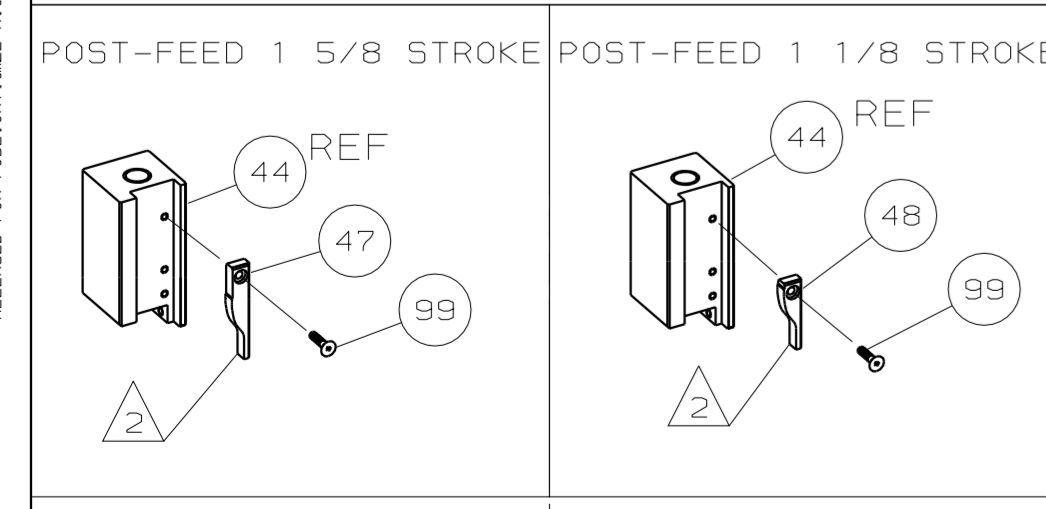
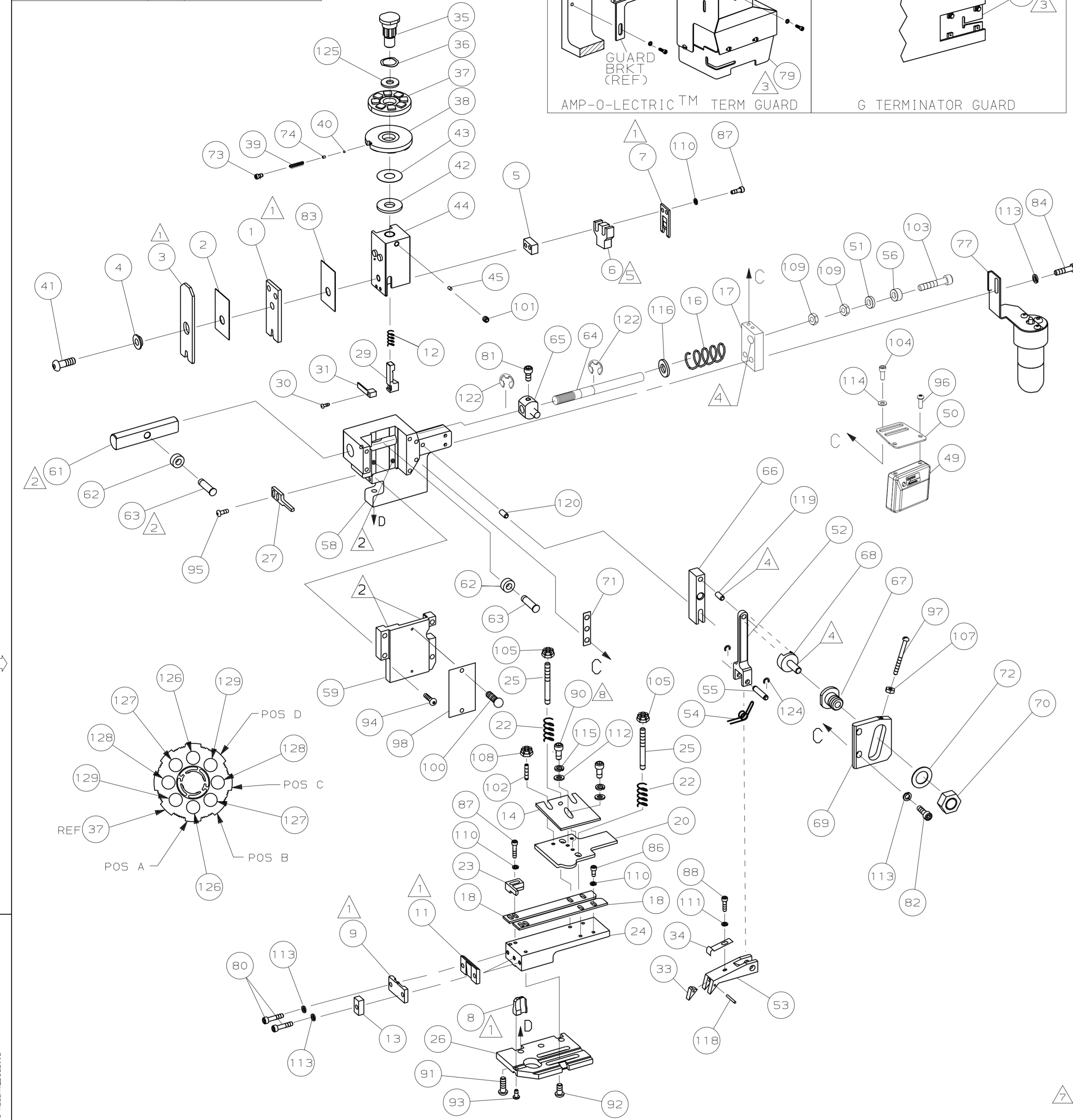
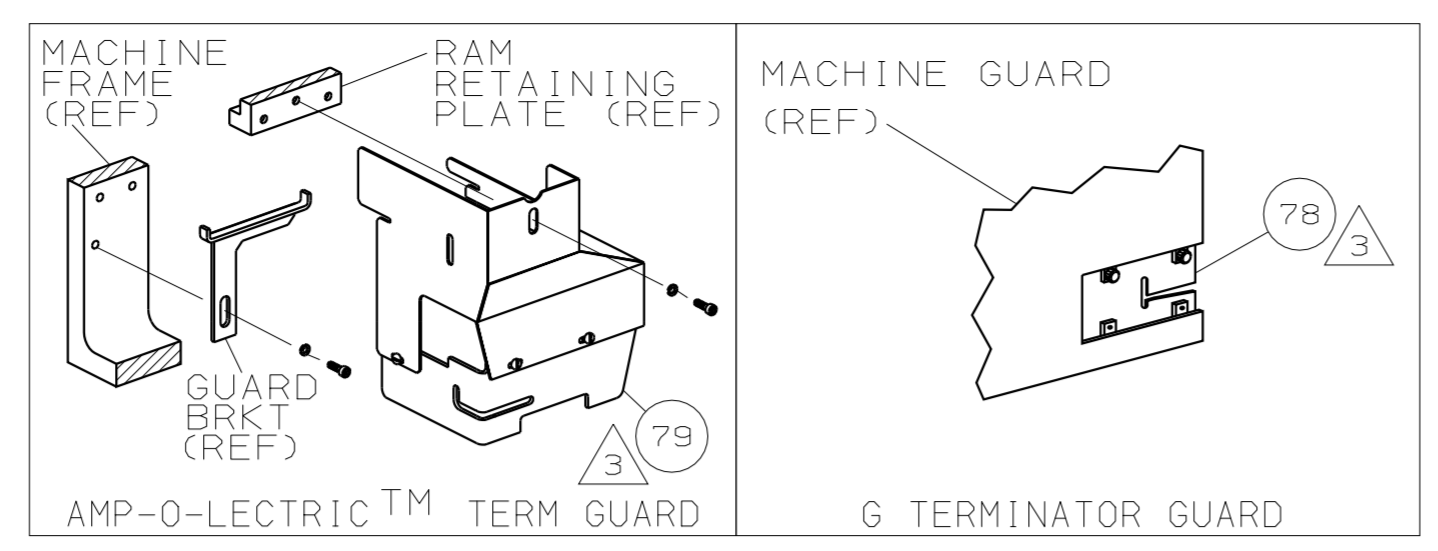


PART NUMBER	REV	FIRST USED
1852190-1	A	854400-1
1852190-2	A	565435-5
7-1852190-7	A	1852190-2



- 1 RECOMMENDED SPARE PARTS.
- 2 GREASE LIGHTLY.
- 3 GUARD MUST BE IN PLACE WHEN OPERATING APPLICATOR IN A BENCH MACHINE.
- 4 LUBRICATE DAILY USING NO. 20 MACHINE OIL.
- 5 ADJUST SO THAT BOTTOM OF NEOPRENE IS APPROX .125 ABOVE BOTTOM OF SLUG BLADE POCKET.
- 6 ON LEADMAKER WITH T TERMINATING UNITS: IF TERMINAL LOCKING LANCE IS BEING BENT DOWN BEFORE ENTERING APPLICATOR, ORDER SHROUD KIT, PN 189781-1.
- 7 ITEM 78 USED WITH G TERMINATING UNIT ONLY

A	LEADMAKER & G TERMINATOR	K TERMINATOR BENCH MACHINE
---	--------------------------	----------------------------



WIRE STRIP LENGTH		TERM APPL SPEC	FEED	APPL INSTRUCTION	SET UP GAGE	LAYOUT
.188-.219		114-2074	1.035	408-8039	458638-1	L1165

TERMINAL NAME: RECEPTACLE, .250 POSI LOCK						
1742354		AMP TERMINAL		AMP CRIMP SPECS		
PAD LTR	CRIMP HEIGHT	WIRE SIZE				
A	.070 ±.002 [1.78 ±0.05mm]	(2) 18				
B	.067 ±.002 [1.70 ±0.05mm]	16				
C	.063 ±.002 [1.60 ±0.05mm]	(2) 20				
D	.061 ±.002 [1.55 ±0.05mm]	18				
CRIMP	SIZE	TYPE	RANGE			
WIRE	.110 [6.35mm]	F	18-(2) 18			
INSUL	.210 [7.87mm]	F	φ.105-.210[(2).105 MAX]			

QTY	REQD	PER	ASSY	PARTS LIST
-77	-2	-1	U/M	DWG SIZE
REVISION OF EACH ASSY NO (WHEN BLANK, USE DWG REVISION)				

LEADMAKER & BENCH MODEL G		MECH POST FEED					
-1	BENCH MODEL K	MECH-POST FEED					
-77 SPARE PARTS KIT		-					
-	1	1	-	A	22594-8	NUT, HEX	70
-	1	1	-	B	240628-1	PLATE, ADJ	69
-	1	1	-	B	240626-1	SHAFT, PIVOT	68
-	1	1	-	B	240633-1	BUSHING	67
-	1	1	-	A	455680-1	LEVER, INTERMEDIATE	66
-	1	1	-	B	240629-1	BLOCK, PIVOT	65
-	1	1	-	A	1804311-1	SCR, ADJ	64
-	1	1	-	B	240659-3	PIN, CAM ROLLER	63
-	1	1	-	B	240658-1	CAM, ROLLER	62
-	1	1	-	B	454398-1	ROD, FEED	61
-	1	1	-	C	189467-1	CAP, RAM	59
-	1	1	-	D	453736-1	HOUSING	58
-	1	1	-	A3	1804299-1	SPACER, MAGNET	56
-	1	1	-	B	240624-1	PIN, FEED FINGER	55
-	1	1	-	B	691499-1	SPRING, FEED FINGER	54
-	1	1	-	B	1752620-2	FINGER, FEED	53
-	1	1	-	B	240634-1	LEVER, TERMINAL	52
-	1	1	-	A	1804310-1	MAGNET, RING	51
-	1	1	-	A	1804303-1	BRACKET, COUNTER MOUNTING	50
-	1	1	-	A	1804300-1	APPLICATOR COUNTER ASSEMBLY	49
-	1	-	-	B	690501-3	CAM, POST FEED 1 1/8 ST	48
-	-	1	-	B	690501-4	CAM, POST-FEED 1 5/8 ST	47
-	1	1	-	A	690191-1	PLUG, NYLON	45
-	1	1	-	C	455674-1	RAM	44
-	1	1	-	A	690125-1	WASHER, LAMINATED	43
-	1	1	-	A	690124-1	WASHER, RAM	42
-	1	1	-	A	7-21002-9	BOLT, CRIMPER(5/16-24x1.00)	41
-	1	1	-	A	23241-6	BALL, STEEL	40
-	1	1	-	A	690170-1	SPRING, COMPRESSION	39
-	1	1	-	C	690142-5	DISC, INSULATION	38
-	1	1	-	D	354777-1	WIRE DISC, PLASTIC	37
-	1	1	-	A	22480-5	WASHER, SPRING	36
-	1	1	-	B	690212-1	POST, RAM	35
-	1	1	-	A3	1752621-1	SPRING, SWIVEL TIP	34
-	1	1	-	A3	1752622-1	TIP, SWIVEL FEED FINGER	33
-	1	1	-	A	189181-1	STRIPPER, TERMINAL	31
-	1	1	-	A	1-21000-6	SCR,SHC (4-40 X.62)STR	30
-	1	1	-	B	189453-1	SLIDE, STRIPPER	29
-	1	1	-	A	189257-1	STRIPPER	27
-	1	1	-	C	455676-1	PLATE, BASE	26
-	2	2	-	A	22354-8	DRAG, STUD	25
-	1	1	-	B	804823-2	PLATE, STRIP GUIDE	24
-	1	1	-	C	568663-1	PLATE, STRIP HOLD DOWN	23
-	2	2	-	A	1-22280-8	SPRING, DRAG	22
-	1	1	-	A	814130-1	DRAG, STOCK	20
-	2	2	-	C	454204-3	GUIDE STRIP,FRONT & REAR	18
-	1	1	-	A	1804305-2	GUIDE, FEED ROD	17
-	1	1	-	A	4-22284-9	SPRING, FEED RETURN	16
-	1	1	-	C	683875-1	PLATE, DRAG LOCATOR	14
-	1	1	-	C	690481-2	SPACER, HOLD DOWN	13
-	1	1	-	A	23846-2	SPRING, HOLD DOWN	12
-	1	1	-	B	240833-1	PLATE, REAR SHEAR	11
-	1	1	-	B	690482-7	PLATE, FRONT SHEAR	9
1	1	1	-	D	8-356038-9	ANVIL	8
-	1	1	-	B	3-690474-9	BLADE, SLUG	7
-	1	1	-	D	463460-1	HOLD DOWN, TERMINAL	6
-	1	1	-	C	240641-7	SPACER, SLUG BLADE	5
-	1	1	-	B	1-238009-4	SPACER, BLOCK CRIMPER	4
1	1	1	-	C	9-1213077-9	CRIMPER, INSULATION	3
-	1	1	-	B	455888-8	SPACER, CRIMPER	2
1	1	1	-	C	6-456408-4	CRIMPER, WIRE	1

DIMENSIONS IN INCHES. DO NOT SCALE PRINT.		MATERIAL		FINISH	
TOLERANCES UNLESS OTHERWISE SPECIFIED:		-		-	
3 PLC DEC ±		-		-	
4 PLC DEC ±		-		-	
ANGLES ±		-		-	
SURF TEXTURE: ✓		-		-	
REMOVE BURRS, BREAK SHARP EDGES R.015 MAX		-		-	