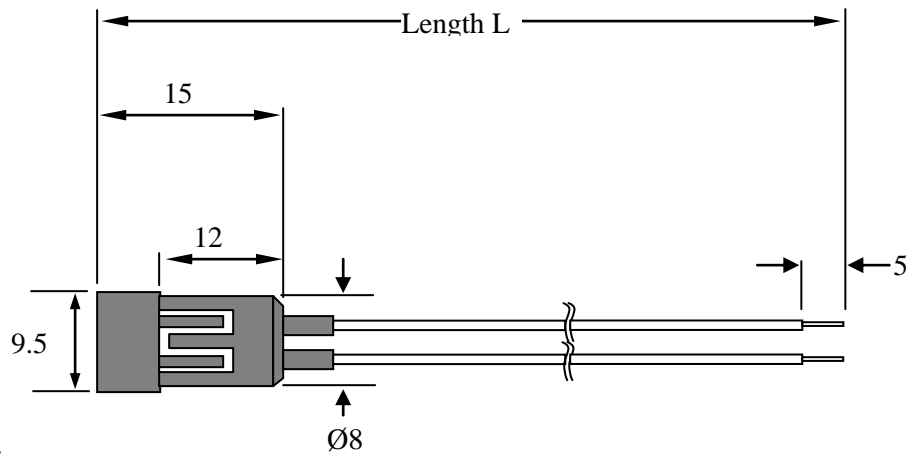


PRODUCT DATA SHEET

Type	Size	Rating	Description	Part No.
LED	8mm	-	Recessed LED with flying leads	19801xxxxxxxx



All dimensions in mm.
Tolerance $\pm 0.25\text{mm}$

Part no.	Dia(mm)	Length L(mm)	Colour	Volts	Bezel	LED
1980100050450	8	450	red	NO RES	recessed	std
1980100050500	8	500	red	NO RES	recessed	std
1980100050900	8	900	red	NO RES	recessed	std
1980100051450	8	450	green	NO RES	recessed	std
1980100051500	8	500	green	NO RES	recessed	std
1980100051900	8	900	green	NO RES	recessed	std
1980100052450	8	450	yellow	NO RES	recessed	std
1980100052500	8	500	yellow	NO RES	recessed	std
1980100052900	8	900	yellow	NO RES	recessed	std
1980100151500	8	500	green	6DC	recessed	std
1980100152500	8	500	yellow	6DC	recessed	std
1980100250450	8	450	red	12DC	recessed	std
1980100250500	8	500	red	12DC	recessed	std
1980100250900	8	900	red	12DC	recessed	std
1980100251450	8	450	green	12DC	recessed	std
1980100251500	8	500	green	12DC	recessed	std
1980100251900	8	900	green	12DC	recessed	std
1980100252450	8	450	yellow	12DC	recessed	std
1980100252500	8	500	yellow	12DC	recessed	std
1980100252900	8	900	yellow	12DC	recessed	std
1980100350450	8	450	red	24DC	recessed	std
1980100350500	8	500	red	24DC	recessed	std
1980100350900	8	900	red	24DC	recessed	std
1980100351450	8	450	green	24DC	recessed	std
1980100351500	8	500	green	24DC	recessed	std
1980100351900	8	900	green	24DC	recessed	std
1980100352450	8	450	yellow	24DC	recessed	std
1980100352500	8	500	yellow	24DC	recessed	std
1980100352900	8	900	yellow	24DC	recessed	std
1980110050450	8	450	red	3.5-13DC	recessed	flashing
1980110050500	8	500	red	3.5-13DC	recessed	flashing
1980110050900	8	900	red	3.5-13DC	recessed	flashing
1980110051450	8	450	green	3.5-13DC	recessed	flashing

Issue No.	Date	C.N. No.	Drawn	Tech	QA
2	27/02/09	-	BCW	Approved	

PRODUCT DATA SHEET



1980110051500	8	500	green	3.5-13DC	recessed	flashing
1980110051900	8	900	green	3.5-13DC	recessed	flashing
1980110052450	8	450	yellow	3.5-13DC	recessed	flashing
1980110052500	8	500	yellow	3.5-13DC	recessed	flashing
1980110052900	8	900	yellow	3.5-13DC	recessed	flashing
1980110350450	8	450	red	24DC	recessed	flashing
1980110350500	8	500	red	24DC	recessed	flashing
1980110350900	8	900	red	24DC	recessed	flashing
1980110351450	8	450	green	24DC	recessed	flashing
1980110351500	8	500	green	24DC	recessed	flashing
1980110351900	8	900	green	24DC	recessed	flashing
1980110352450	8	450	yellow	24DC	recessed	flashing
1980110352500	8	500	yellow	24DC	recessed	flashing
1980110352900	8	900	yellow	24DC	recessed	flashing

Issue No.	Date	C.N. No.	Drawn	Tech	QA
2	27/02/09	-	BCW	Approved	