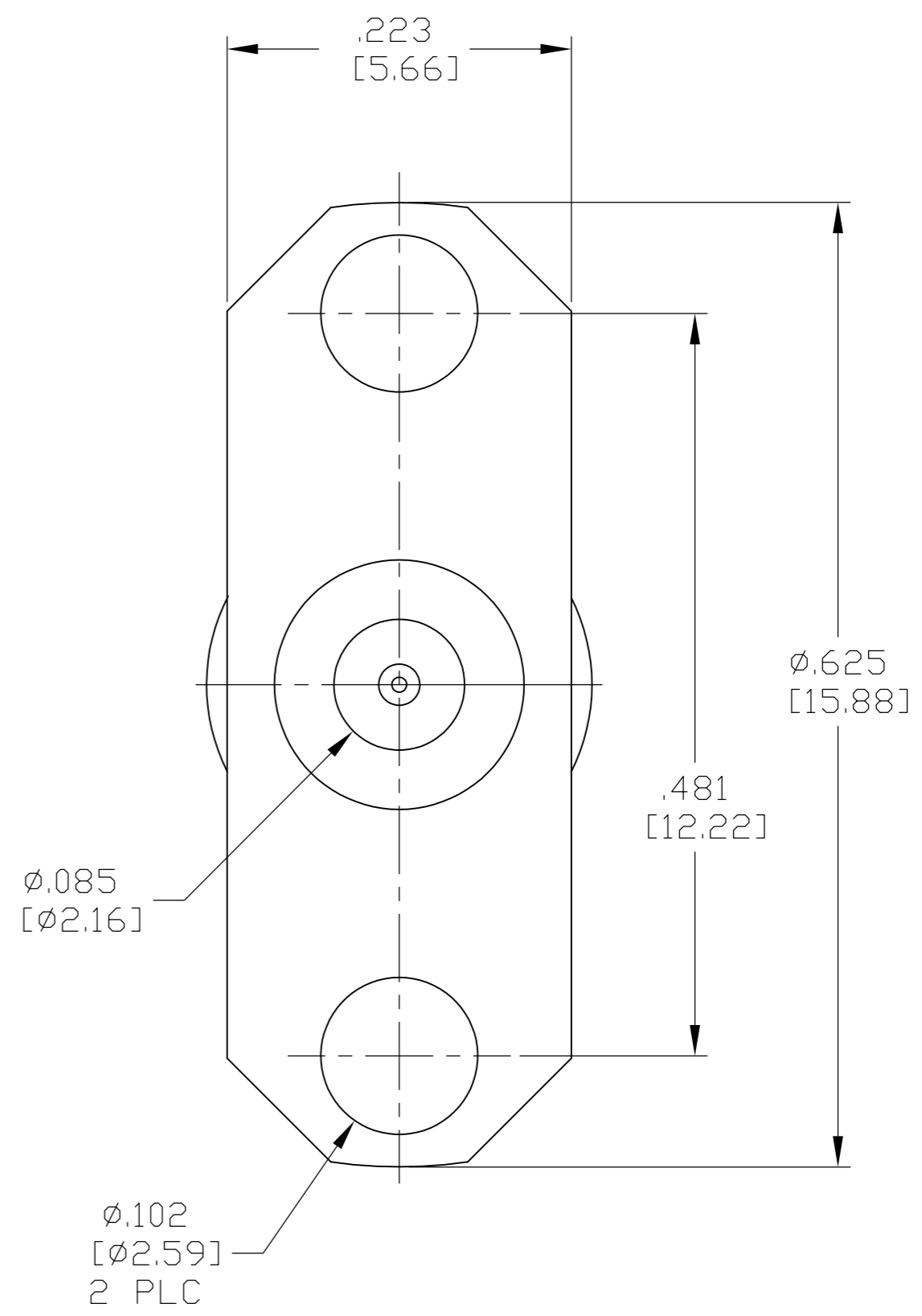
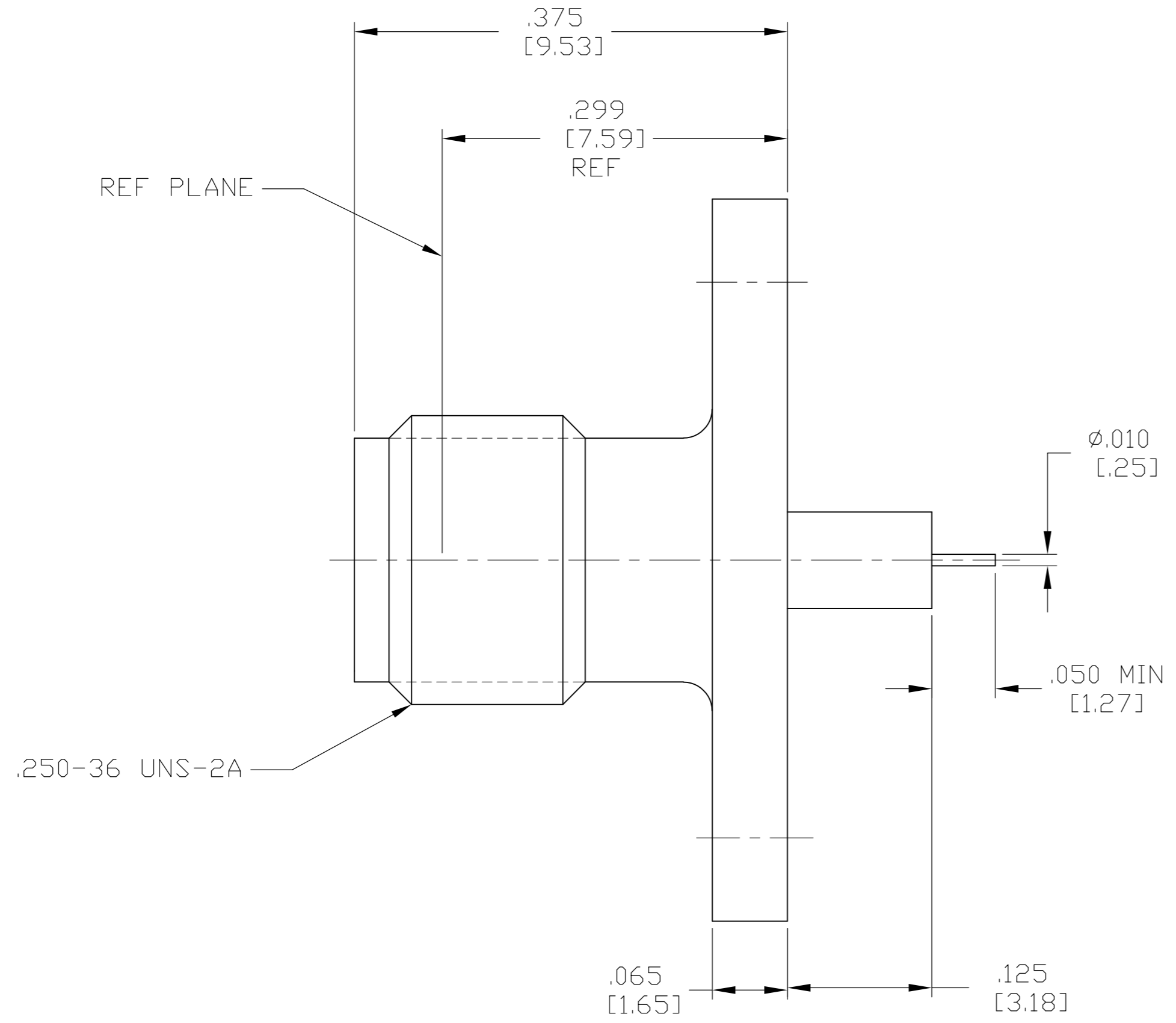


THIS DRAWING IS UNPUBLISHED. RELEASED FOR PUBLICATION
 © COPYRIGHT BY TYCO ELECTRONICS CORPORATION. ALL INTERNATIONAL RIGHTS RESERVED.

LOC	DIST	REVISIONS			
P	LTR	DESCRIPTION	DATE	DWN	APVD
-	-	A	RELEASED	11-9-09	CT DW



HOUSING	STAINLESS STEEL PER ASTM-A484 AND ASTM-A582, TYPE 303	PASSIVATE PER SAE-AMS-2700
DIELECTRIC	TFE FLUOROCARBON PER MIL-P-19468 AND FED SPEC L-P-403	N/A
CENTER CONTACT	BERYLLIUM COPPER PER ASTM-B-196, ALLOY 173	GOLD PLATE PER ASTM-B-488 OVER COPPER PLATE PER AMS-2418
COMPONENT	MATERIAL	FINISH

1. CAPTURED CENTER CONTACT

1484983-1
PART NUMBER

THIS DRAWING IS A CONTROLLED DOCUMENT.		DWN C.C.THOMAS 11-9-09	Tyco Electronics Corporation Harrisburg, PA 17105-3608	
DIMENSIONS: INCHES		CHK D.WILSON 11-9-09	NAME	
TOLERANCES UNLESS OTHERWISE SPECIFIED:		APVD D.WILSON 11-9-09	SMA JACK RECEPTACLE 2 HOLE FLANGE MT, STRAIGHT TERMINAL	
0 PLC ± -		PRODUCT SPEC	SIZE A2	CAGE CODE 00779
1 PLC ± -		APPLICATION SPEC	DRAWING NO C=1484983	RESTRICTED TO -
2 PLC ± -		WEIGHT -	SCALE 10:1	SHEET 1 of 1
3 PLC ± .005 [0.13]		CUSTOMER DRAWING	REV A	
4 PLC ± -				
ANGLES ± -				
FINISH SEE TABLE				

Mouser Electronics

Authorized Distributor

Click to View Pricing, Inventory, Delivery & Lifecycle Information:

[TE Connectivity:](#)

[1484983-1](#)