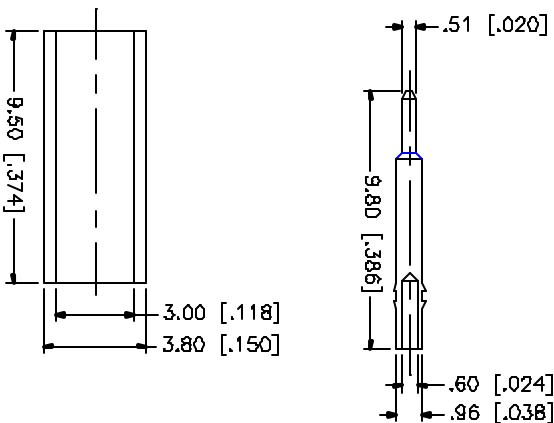
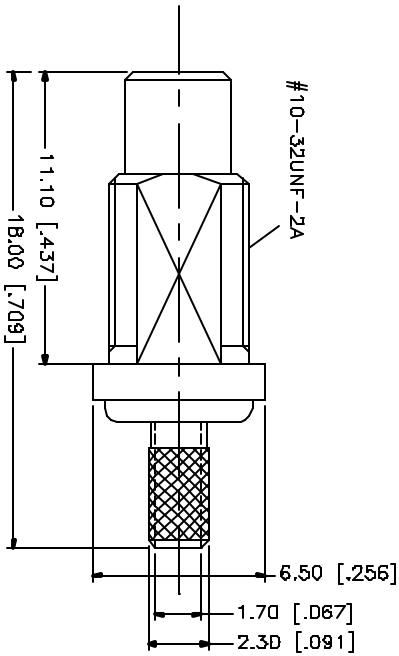
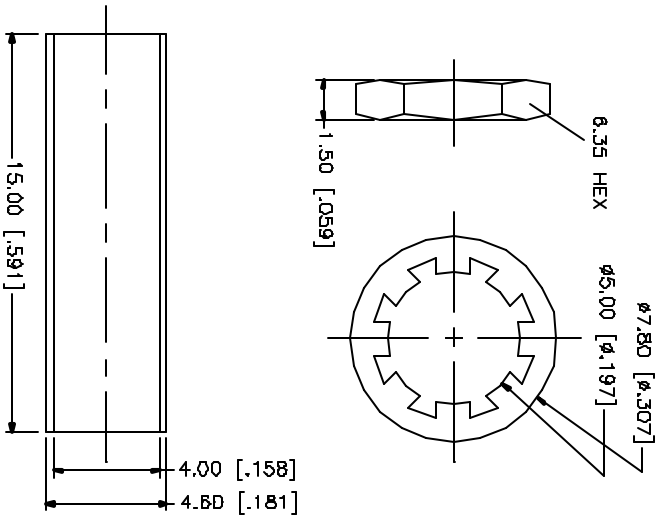
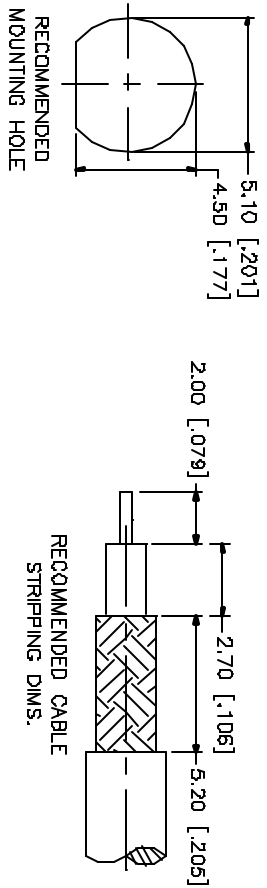


REV.	DATE	DESCRIPTION
A	03/27/05	UPDATE DRAWING FORMAT



- NOTES:
1. CRIMPED FERRULE HEX CRIMP SIZE .128"
 2. MAX. PANEL THICKNESS = 2.4mm

QTY	DESCRIPTION	MATERIAL	FINISH	QTY	DO NOT SCALE DRAWING	APPROVALS	DATE	PART DESCRIPTION
1	HEAT SHRINK TUBE							<p>Amphenol Comnex</p> <p>SMC BULKHEAD CRIMP JACK (FOR RG-174/U, 188A/U, 316/U)</p> <p>152105</p>
1	HEX NUT	BRASS	GOLD					
1	LOCK WASHER	BRASS	GOLD					
1	FERRULE	COPPER	GOLD					
1	CONTACT PIN	BRASS	GOLD					
1	INSULATOR	TEFLON	NATURAL					
1	BODY	BRASS	GOLD					
	DESCRIPTION	MATERIAL	FINISH	QTY				

Amphenol Comnex

SMC BULKHEAD CRIMP JACK
(FOR RG-174/U, 188A/U, 316/U)

152105

APPROVALS	DATE
G.R.S.	03/27/05

DRWN	CHKD	ISSUED	SHEET	PART NO.	DWG. NO.	REV.	SIZE	SCALE
			1 OF 1		152105.DWG	A	A	NA