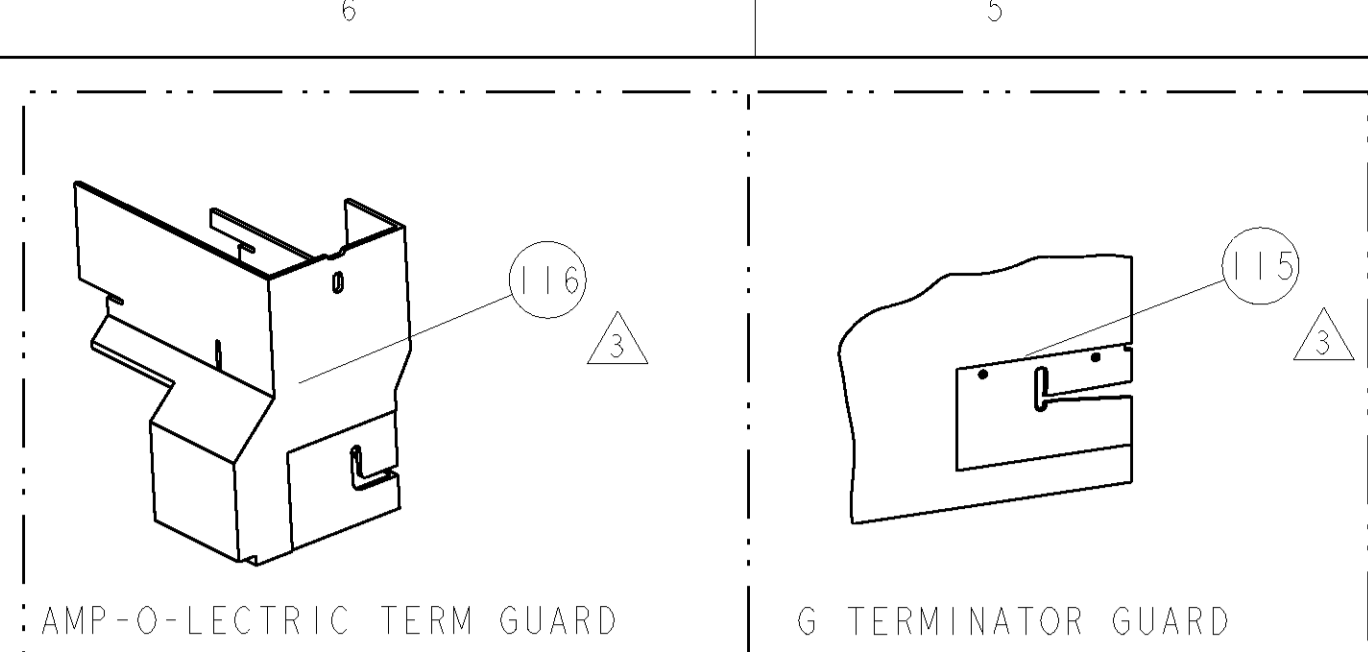
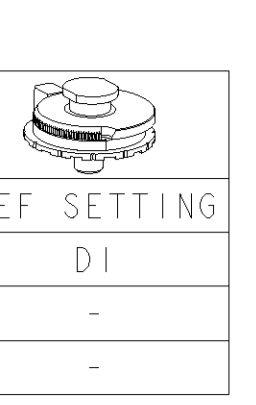


PART NUMBER	REV	FIRST USED	POWER UNIT	FEED TYPE	DESCRIPTION
1855462-1	A	122500-1	LEADMAKER	AIR FEED	CUTS CARRIER
1855462-2	A	565435-5	BENCH MODEL K	AIR FEED	CUTS CARRIER
1855462-3	A	354500-1	BENCH MODEL G	AIR FEED	CUTS CARRIER
1855462-6	A	122500-1	LEADMAKER	AIR FEED	CONTINUOUS CARRIER
7-1855462-7	A	-	-	-	SPARE PARTS



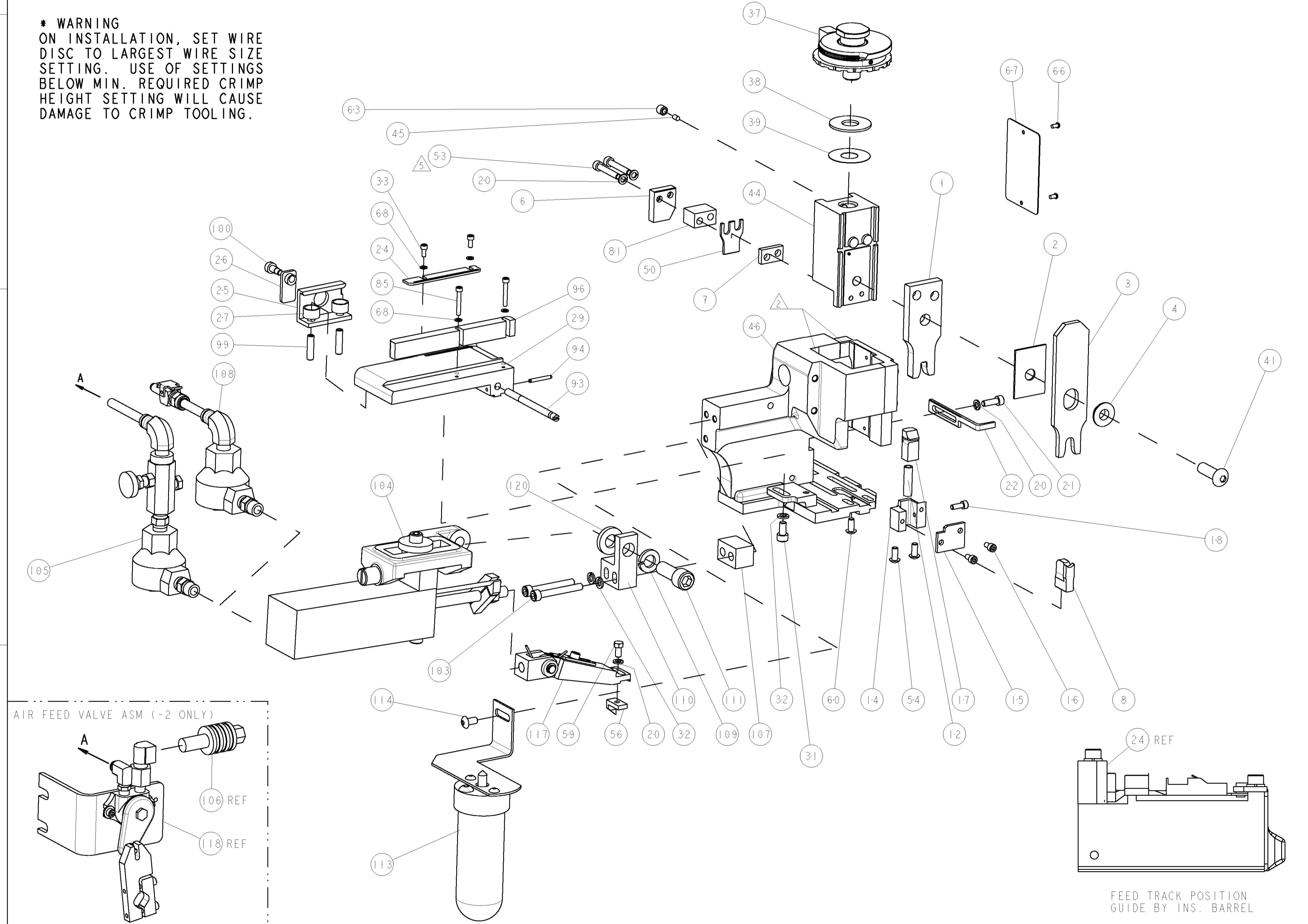
TERMINAL NAME: TAXI ASM TERMINAL M/P 800					
TE PN	DELPHI	DELPHI TERMINAL - DELPHI CRIMP SPECS			
1949815	15336748	CRIMP HEIGHT		WIRE SIZE	
-	-	2.40mm±.05/-0.05[.095±.002/-0.002]		5mm2	
-	-	CRIMP	SIZE	TYPE	RANGE
SEAL PN	-	-	-	-	-
1949816	12129381	WIRE	4.98mm [.196]	F	5.00mm2
-	-	INSUL	7.29mm [.287]	O	∅4.500 - 6.553
WIRE STRIP LENGTH	TERM APPL SPEC	FEED	APPLICATOR INSTRUCTIONS		SET UP GAGE
9.32-10.08	NONE	27.18	408-8040		458637-1



LOC	DIST	REVISIONS			
A	66	P LTR	DESCRIPTION	DATE	OWN
		A	RELEASED	14JAN2009	MEH

- △ RECOMMENDED SPARE PARTS
- △ GREASE LIGHTLY
- △ GUARD MUST BE IN PLACE WHEN OPERATING APPLICATOR IN A BENCH MACHINE
- △ THIS APPLICATOR APPLIES A TERMINAL WITH A SEAL.
- △ GRIND AT ASSY

**\* WARNING**  
ON INSTALLATION, SET WIRE DISC TO LARGEST WIRE SIZE SETTING. USE OF SETTINGS BELOW MIN. REQUIRED CRIMP HEIGHT SETTING WILL CAUSE DAMAGE TO CRIMP TOOLING.



ITEM NO	QTY	U/M	PART NO	DESCRIPTION	ITEM NO
-	1	I	371178	WASHER	120
-	-	-	REF	-	-
-	-	-	692655-6	AIR FEED VALVE ASSEMBLY	118
-	1	I	461062-1	FEED FINGER ASSEMBLY	117
-	-	-	REF	-	-
-	-	-	455749-1	GUARD WINDOW	116
-	-	-	REF	-	-
-	-	-	679532-1	INSERT, GUARD	115
-	-	-	2-21002-6	SCR, BTN SKT HD CAP 10-32 X .375	114
-	-	-	1-465184-0	LUBRICATOR ASSY	113
-	1	I	3-21001-5	SCR, SKT HD CAP 3/8-16 X 1.000	111
-	1	I	459610-1	MOUNT, FEED BRACKET	110
-	1	I	21024-8	WASHER, SPRG LOCK, REG 3/8	109
-	1	I	692655-7	AIR FEED VALVE ASSEMBLY	108
-	1	I	461690-3	SPACER, AIR FEED	107
-	-	-	REF	-	-
-	-	-	24024-2	VALVE, SHUT OFF	106
-	-	-	692655-5	AIR FEED VALVE ASSEMBLY	105
-	1	I	461065-2	ASSEMBLY, AIR FEED	104
-	2	2	4-21000-1	SCR, SKT HD CAP 10-32 X 1.500	103
-	1	I	22353-8	SCR, SHLD, SLOT HD, 3/16 DIA	100
-	2	2	5-21006-6	SCR, SET, CUP POINT 10-32 X .750	99
-	1	I	3-189124-1	GUIDE, FRONT STRIP	96
-	1	I	4-21028-0	PIN, SLOTTED SPRING .094 X .750	94
-	1	I	690432-3	ADJUSTMENT SCREW	93
-	2	2	1-21000-7	SCR, SKT HD CAP 4-40 X .750	85
-	1	I	7-240641-4	SPACER	81
-	1	I	4088040	SF APPL INST 408-8040	72
-	1	I	217238-1	GENERAL INSTRUCTION PKG	71
-	4	4	21024-2	WASHER, SPRG LOCK, REG NO 4	68
-	1	I	461264-5	PLATE, IDENTIFICATION	67
-	2	2	21017-2	SCREW, DRIVE	66
-	1	I	21009-2	SCR, SET, SELF LOCKING 1/4-20 X .250	63
-	1	I	22733-8	SCR, BHSC, SELF-LOCKING, 8-32 X .375	60
-	1	I	2-22603-0	SCR, HEX HD CAP 8-32 X .312	59
-	1	I	224716-2	PAWL, FEED	56
-	2	2	2-21002-1	SCR, BTN SKT HD CAP 8-32 X .375	54
-	2	2	3-21000-1	SCR, SKT HD CAP 8-32 X 1.000	53
-	1	I	690518-4	HOLD DOWN, TERMINAL	50
-	1	I	1633399-7	APPL., BASIC AIR FEED SUB ASSY	46
-	1	I	690191-1	PLUG, NYLON	45
-	1	I	3-819307-2	RAM, SIDE FEED	44
-	1	I	7-21002-9	SCR, BTN SKT HD CAP 5/16-24 X 1.00	41
-	1	I	690125-1	SHIM SUB-ASSY	39
-	1	I	690124-5	WASHER, RAM (.062)	38
-	1	I	879103-2	FINE ADJUST HEAD ASSEMBLY	37
-	2	2	1-21000-3	SCR, SKT HD CAP 4-40 X .250	33
-	3	3	21024-5	WASHER, SPRG LOCK, REG NO 10	32
-	1	I	3-21000-4	SCR, SKT HD CAP 10-32 X .375	31
-	1	I	3-844048-7	PLATE, REAR STRIP GUIDE	29
-	2	2	1-22284-0	SPRING, COMPRESSION	27
-	1	I	356835-1	LEVER, DRAG RELEASE	26
-	1	I	240792-1	DRAG, TERMINAL	25
-	1	I	1-690438-0	FRONT STRIP GUIDE	24
-	1	I	690472-2	STRIPPER	22
-	1	I	2-21000-7	SCR, SKT HD CAP 8-32 X .500	21
-	4	4	21024-4	WASHER, SPRG LOCK, REG NO 8	20
-	1	I	1-21000-9	SCR, SKT HD CAP 6-32 X .375	18
-	1	I	690463-2	FLOATING SHEAR, REAR	17
-	2	2	1-21000-8	SCR, SKT HD CAP 6-32 X .250	16
-	1	I	2-690464-3	SHEAR PLATE, REAR	15
-	-	-	1-690462-5	SHEAR HOLDER, REAR	14
-	-	-	-	-	13
-	1	I	4-22280-8	SPRING, COMPRESSION	12
-	-	-	-	-	11
-	-	-	-	-	10
-	-	-	-	-	9
-	1	I	2-1633332-5	ANVIL, COMBINATION	8
-	1	I	2-240641-4	SPACER	7
-	1	I	1-690468-9	DEPRESSOR SHEAR, REAR	6
-	1	I	3-238009-3	BLOCK, FL CRIMPER SPACER	4
-	1	I	1-1633589-5	CRIMPER, INSUL O	3
-	1	I	1-455888-0	SPACER, CRIMPER	2
-	1	I	1633664-9	CRIMPER, WIRE	1

DIMENSIONS:		TOLERANCES UNLESS OTHERWISE SPECIFIED:	
INCHES	9 PLC ±.01	PLC	±.01
	1 PLC ±.01	PLC	±.01
	3 PLC ±.001	PLC	±.001
	4 PLC ±.0001	PLC	±.0001
	ANGLES	ANGLES	±.0001

DATE	26NOV2008	APP'D	T. ELBIN
CHK'D	M. HERR	DATE	26NOV2008
NAME	FINE ADJUST SIDE FEED HDM APPLICATOR		
PRODUCT SPEC	-		
APPLICATION SPEC	-		
WEIGHT	-		
CUSTOMER DRAWING	-		

SCALE: 3:5 SHEET 1 OF 1 REV A

# Mouser Electronics

Authorized Distributor

Click to View Pricing, Inventory, Delivery & Lifecycle Information:

[TE Connectivity:](#)

[1855462-6](#)