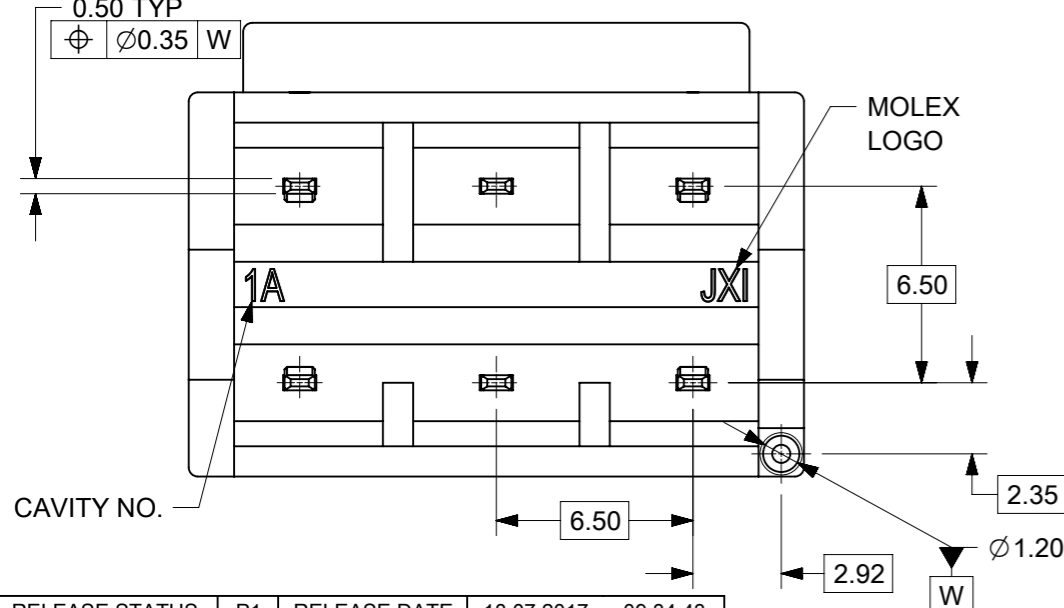
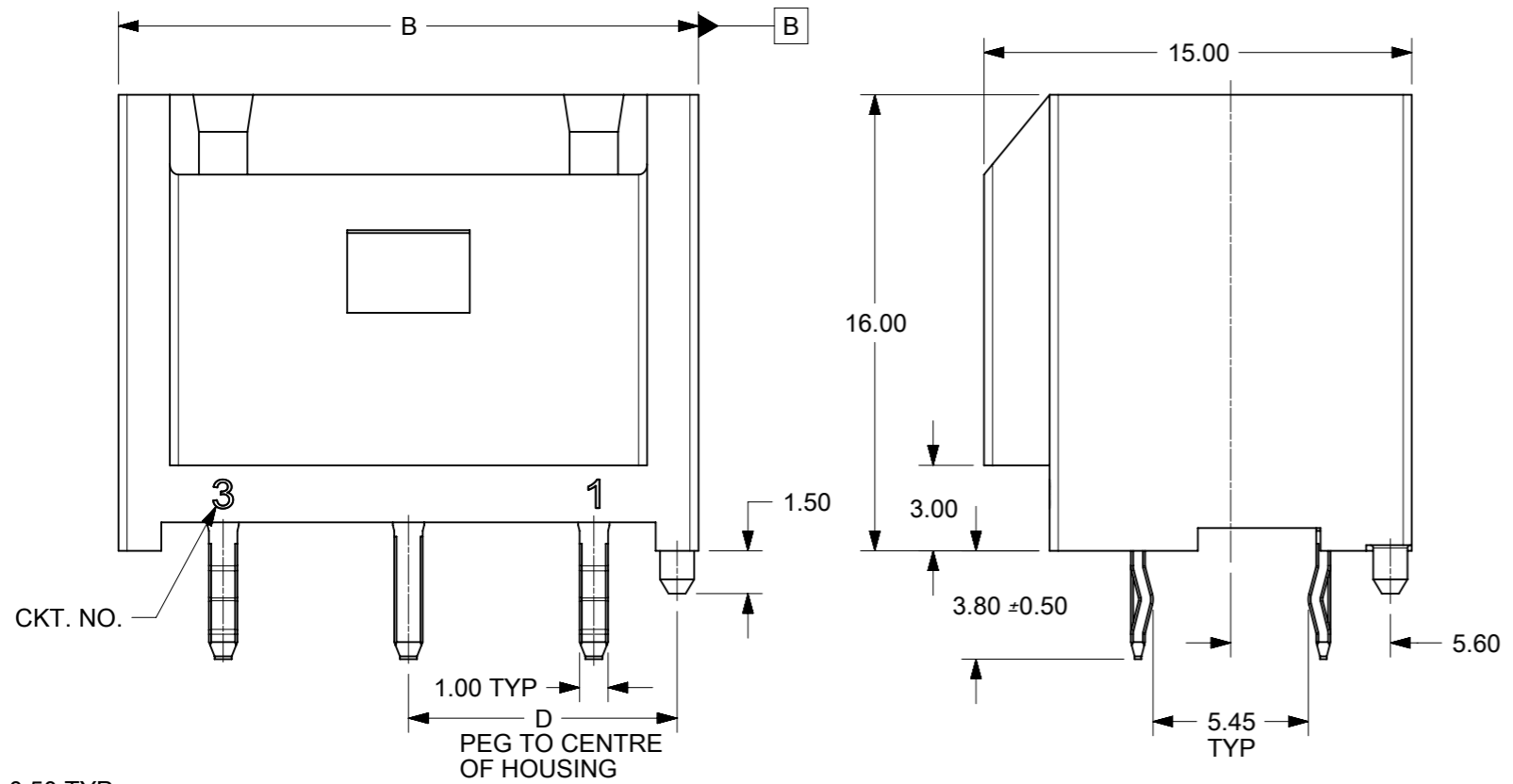


RECOMMENDED PCB BOARD HOLE DIMENSION  
(MOUNTING SIDE, THICKNESS: 1.60mm)

- NOTES:
- MATERIALS:  
HOUSING: POLYAMIDE(PA), GLASS FILLED, UL94-0  
TERMINAL: COPPER ALLOY
  - FINISHES:  
TERMINAL: 1.27µM MIN MATTE TIN OVER 1.27µM MIN NICKEL UNPLATED.
  - PRODUCT SPECIFICATION: PS-151048-0001
  - PACKAGING SPECIFICATION: REFER TO TABLE
  - REFER TO COSMETIC SPECIFICATION: PS-45499-002(CLASS B)
  - MATES WITH: 151049 SERIES

2	-	7.34	7.34	2.92	REFER TO PAGE 2
4	6.50	13.84	10.74	6.17	REFER TO PAGE 3
6	13.00	20.34	16.74	9.42	REFER TO PAGE 4
CKT. NO.	A	B	C	D	MATERIAL PART NO.

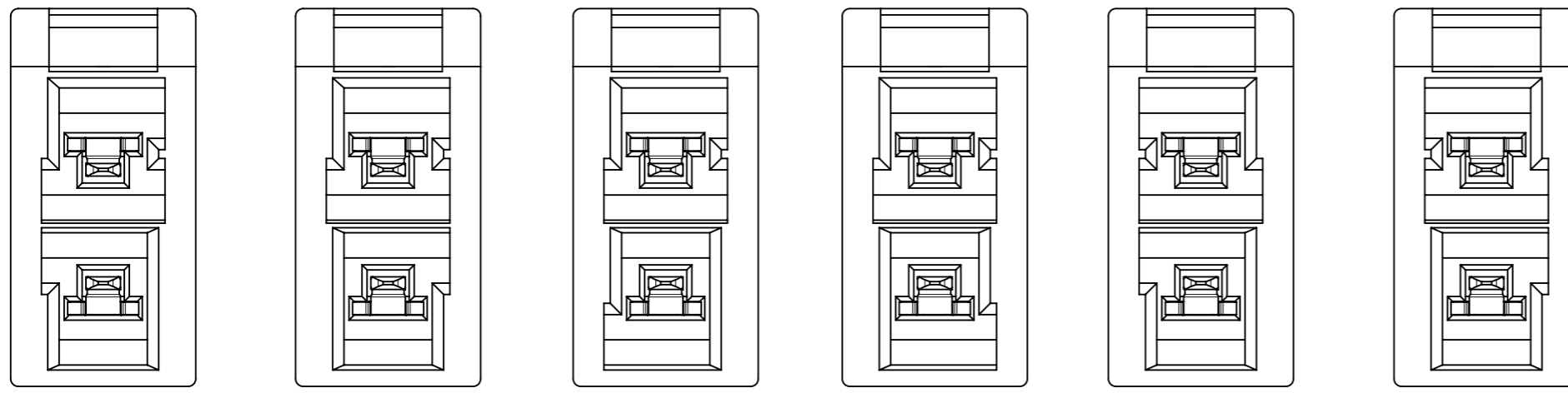
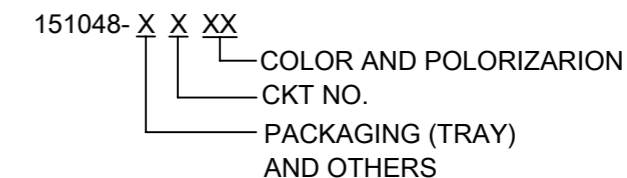


THIS DRAWING CONTAINS INFORMATION THAT IS PROPRIETARY TO MOLEX ELECTRONIC TECHNOLOGIES, LLC AND SHOULD NOT BE USED WITHOUT WRITTEN PERMISSION

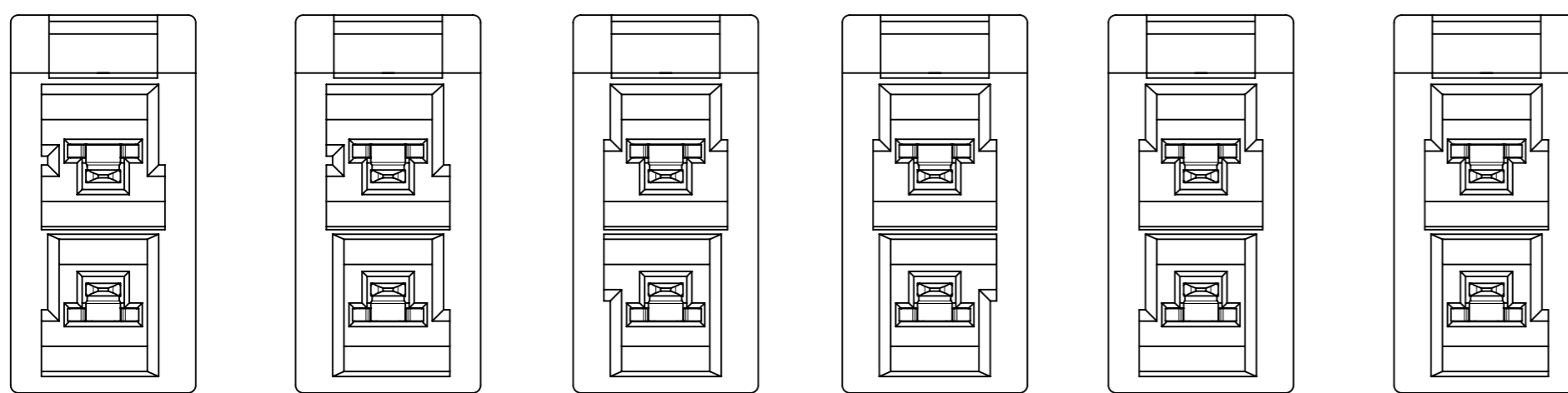
2017/06/22	2017/07/11	2017/07/18	GENERAL TOLERANCES (UNLESS SPECIFIED)	DIMENSION UNITS	SCALE	<p>SALES DRAWING 6.5 HEADER ASSY WIRE TO BOARD CONNECTOR</p> <p>PRODUCT CUSTOMER DRAWING</p>	
EC NO: 119108 DRWN: ABABU01 CHK'D: BR02 APPR: KPRASAD	A REV	4 PLACES ± 3 PLACES ± 2 PLACES ± 0.2 1 PLACE ± 0 PLACES ±	ANGULAR TOL ± 3.0 °	SCALE	4:1		
			DRWN BY	DATE	EANG		2014/03/13
			CHK'D BY	DATE	CGOH		2015/07/21
			APPR BY	DATE	KHLM		2015/07/22
			DRAWING SIZE	THIRD ANGLE PROJECTION	A3		
			DRAFT WHERE APPLICABLE MUST REMAIN WITHIN DIMENSIONS				
SERIES		MATERIAL NUMBER		CUSTOMER			
151048		SEE TABLE		GENERAL MARKET			
DOCUMENT NUMBER		DOC TYPE		DOC PART		SHEET NUMBER	
SD-151048-0001		PSD		001		1 OF 4	

HEADER ASSY WITH POLARIZATION FEATURES AND COLORS 2CKTS

PART NO. LEGEND



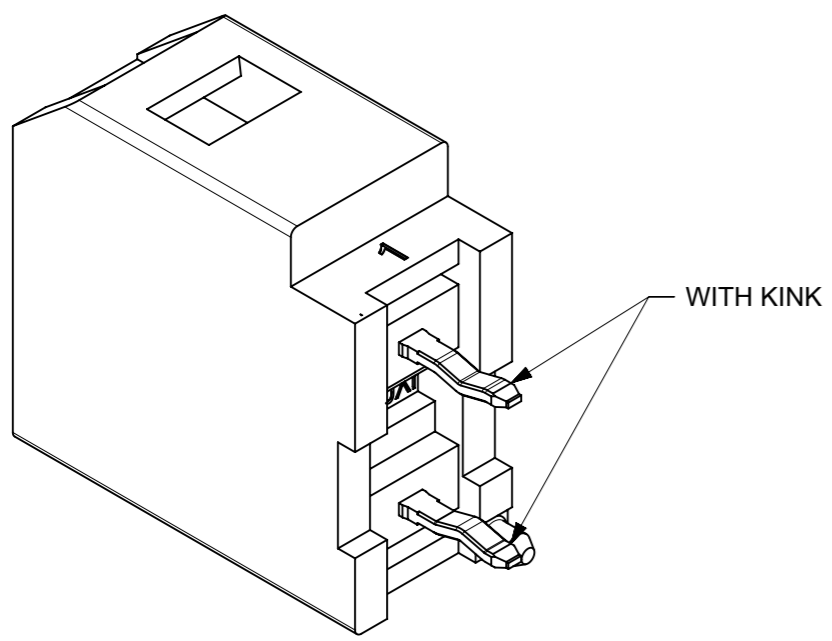
① 151048\*200 ORANGE    ② 151048\*201 BLUE    ③ 151048\*202 GREY    ④ 151048\*203 YELLOW    ⑤ 151048\*204 PURPLE    ⑥ 151048\*205 PINK



⑦ 151048\*206 BLACK    ⑧ 151048\*207 GREEN    ⑨ 151048\*208 BROWN    ⑩ 151048\*209 RED    ⑪ 151048\*210 MINT    ⑫ 151048\*211 NATURAL(WHITE)

CONFIG	ASSEMBLY	COLOR	STANDARD COLOR	CUSTOM COLOR	PACKAGING
1	1510482200	ORANGE	*		PK-151048-0001 (TUBE)
2	1510482201	BLUE	*		
3	1510482202	GREY		*	
4	1510482203	YELLOW	*		
5	1510482204	PURPLE		*	
6	1510482205	PINK		*	
7	1510482206	BLACK	*		
8	1510482207	GREEN		*	
9	1510482208	BROWN		*	
10	1510482209	RED	*		
11	1510482210	MINT		*	
12	1510482211	NATURAL (WHITE)	*		

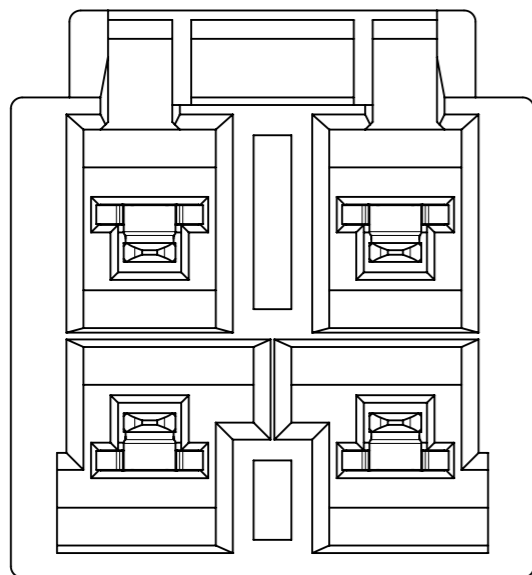
CONFIG	ASSEMBLY	COLOR	STANDARD COLOR	CUSTOM COLOR	PACKAGING
1	1510481200	ORANGE	*		PK-151048-0002 (TRAY)
2	1510481201	BLUE	*		
3	1510481202	GREY		*	
4	1510481203	YELLOW	*		
5	1510481204	PURPLE		*	
6	1510481205	PINK		*	
7	1510481206	BLACK	*		
8	1510481207	GREEN		*	
9	1510481208	BROWN		*	
10	1510481209	RED	*		
11	1510481210	MINT		*	
12	1510481211	NATURAL (WHITE)	*		



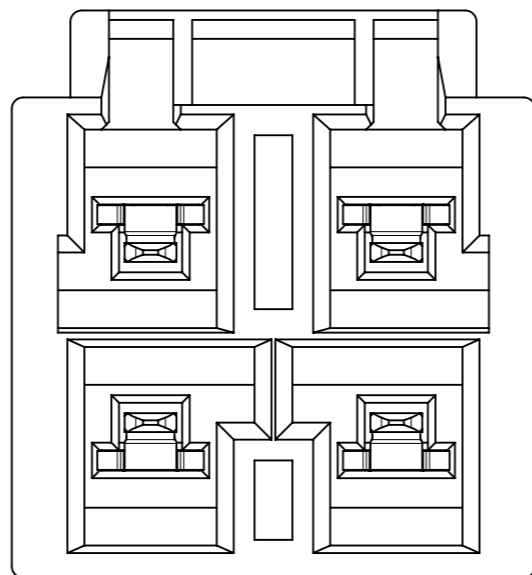
THIS DRAWING CONTAINS INFORMATION THAT IS PROPRIETARY TO MOLEX ELECTRONIC TECHNOLOGIES, LLC AND SHOULD NOT BE USED WITHOUT WRITTEN PERMISSION

EC NO: 119108 DRWN: ABABU01 CHK'D: BR02 APPR: KPRASAD	2017/06/22	GENERAL TOLERANCES (UNLESS SPECIFIED) ANGULAR TOL ± 3.0 ° 4 PLACES ± 3 PLACES ± 2 PLACES ± 0.2 1 PLACE ± 0 PLACES ± DRAFT WHERE APPLICABLE MUST REMAIN WITHIN DIMENSIONS	DIMENSION UNITS	SCALE	
	2017/07/11		DRWN BY	DATE	
	2017/07/18		CHK'D BY	DATE	
			APPR BY	DATE	
			DRAWING SIZE	THIRD ANGLE PROJECTION	SALES DRAWING 6.5 HEADER ASSY WIRE TO BOARD CONNECTOR PRODUCT CUSTOMER DRAWING
			A3		SERIES: 151048 MATERIAL NUMBER: SEE TABLE CUSTOMER: GENERAL MARKET
					DOCUMENT NUMBER: SD-151048-0001 DOC TYPE: PSD DOC PART: 001 SHEET NUMBER: 2 OF 4

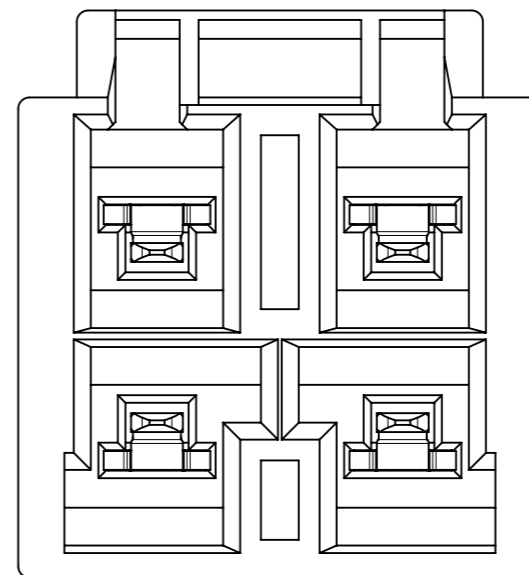
HEADER ASSY WITH POLARIZATION FEATURES AND COLORS 4CKTS



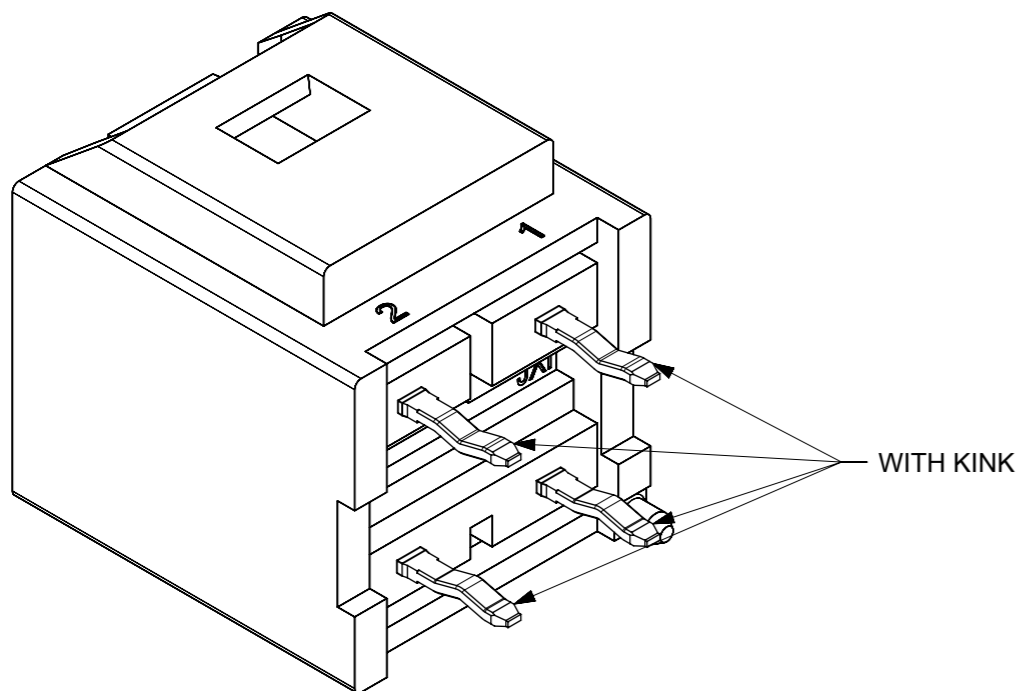
① 151048\*401  
BLUE



② 151048\*406  
BLACK



③ 151048\*411  
NATURAL(WHITE)



PART NO. LEGEND

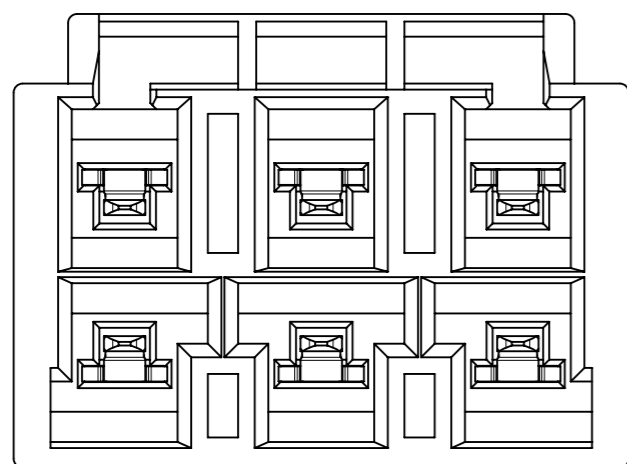
151048- X X XX  
 └───┬───┬───  
 COLOR AND POLORIZARION  
 CKT NO.  
 PACKAGING (TRAY)  
 AND OTHERS

CONFIG	ASSEMBLY	COLOR	PACKAGING
1	1510481401	BLUE	PK-151048-0002
2	1510481406	BLACK	
3	1510481411	NATURAL (WHITE)	

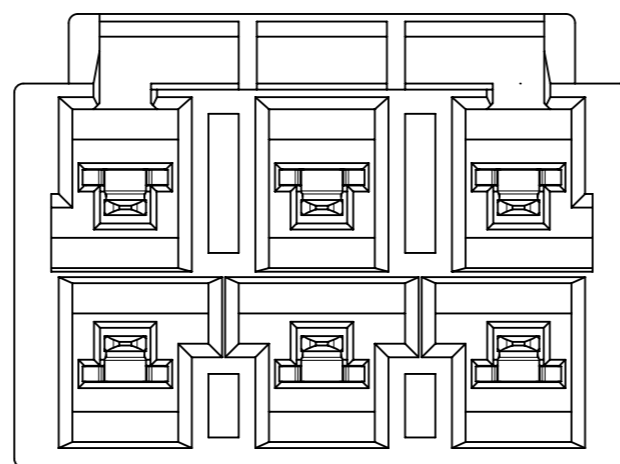
THIS DRAWING CONTAINS INFORMATION THAT IS PROPRIETARY TO MOLEX ELECTRONIC TECHNOLOGIES, LLC AND SHOULD NOT BE USED WITHOUT WRITTEN PERMISSION

EC NO: 119108 DRWN: ABABU01 CHK'D: BR02 APPR: KPRASAD	2017/06/22 2017/07/11 2017/07/18	GENERAL TOLERANCES (UNLESS SPECIFIED) ANGULAR TOL ± 3.0 ° 4 PLACES ± 3 PLACES ± 2 PLACES ± 0.2 1 PLACE ± 0 PLACES ±	DIMENSION UNITS SCALE 5:1	<p>SALES DRAWING 6.5 HEADER ASSY WIRE TO BOARD CONNECTOR</p> <p>PRODUCT CUSTOMER DRAWING</p>				
	DRWN BY EANG DATE 2014/03/13	CHK'D BY CGOH DATE 2015/07/21	APPR BY KHLM DATE 2015/07/22		SERIES 151048	MATERIAL NUMBER SEE TABLE	CUSTOMER GENERAL MARKET	
	DRAFT WHERE APPLICABLE MUST REMAIN WITHIN DIMENSIONS	DRAWING SIZE A3	THIRD ANGLE PROJECTION		DOCUMENT NUMBER SD-151048-0001	DOC TYPE PSD	DOC PART 001	SHEET NUMBER 3 OF 4
	A	REV	WITHIN DIMENSIONS		WITHIN DIMENSIONS	WITHIN DIMENSIONS	WITHIN DIMENSIONS	WITHIN DIMENSIONS

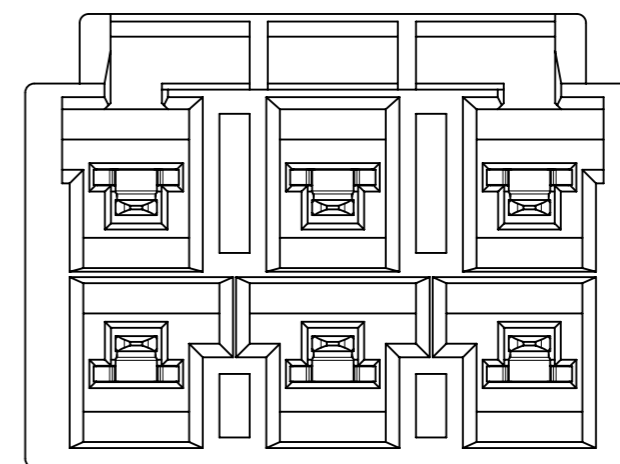
HEADER ASSY WITH POLARIZATION FEATURES AND COLORS 6CKTS



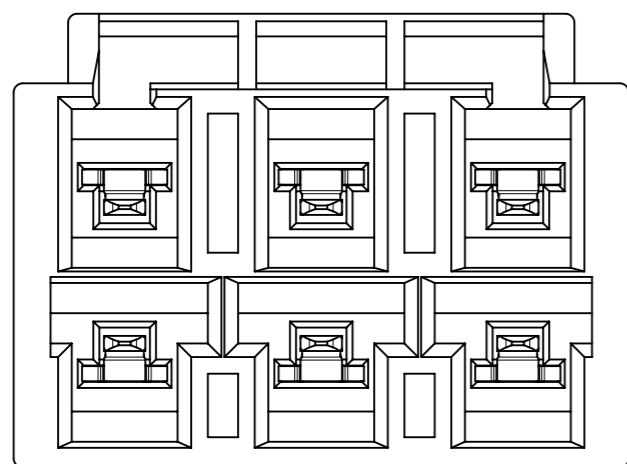
① 151048\*601  
BLUE



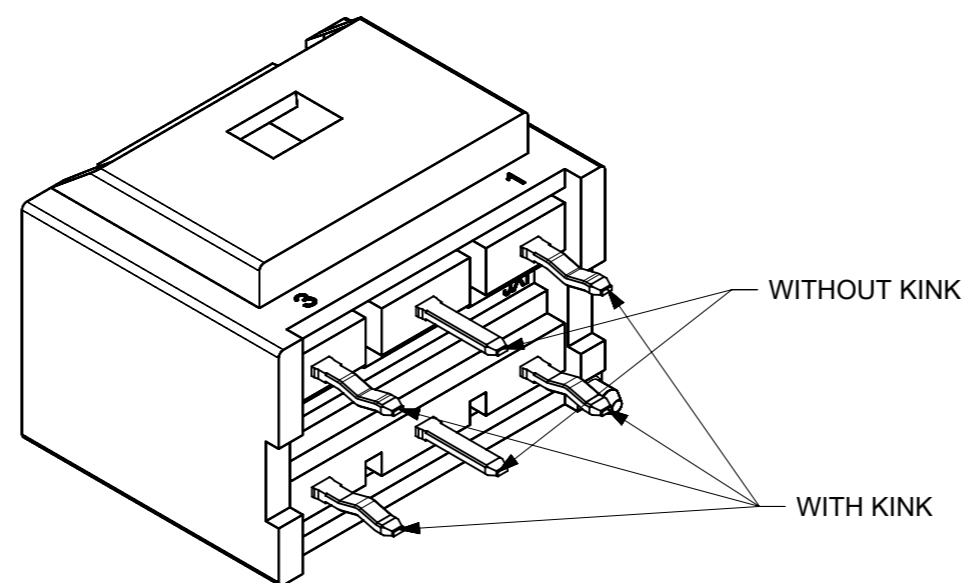
② 151048\*606  
BLACK



③ 151048\*609  
RED



④ 151048\*611  
NATURAL(WHITE)



PART NO. LEGEND

151048- X X XX  
 ———— COLOR AND POLORIZARION  
 ———— CKT NO.  
 ———— PACKAGING (TRAY)  
 AND OTHERS

CONFIG	ASSEMBLY	COLOR	PACKAGING
1	1510481601	BLUE	PK-151048-0002
2	1510481606	BLACK	
3	1510481609	RED	
4	1510481611	NATURAL (WHITE)	

THIS DRAWING CONTAINS INFORMATION THAT IS PROPRIETARY TO MOLEX ELECTRONIC TECHNOLOGIES, LLC AND SHOULD NOT BE USED WITHOUT WRITTEN PERMISSION

EC NO: 119108 DRWN: ABABU01 CHK'D: BR02 APPR: KPRASAD	2017/06/22 2017/07/11 2017/07/18	GENERAL TOLERANCES (UNLESS SPECIFIED) ANGULAR TOL ± 3.0 ° 4 PLACES ± 3 PLACES ± 2 PLACES ± 0.2 1 PLACE ± 0 PLACES ±	DIMENSION UNITS SCALE 4:1	<p>SALES DRAWING 6.5 HEADER ASSY WIRE TO BOARD CONNECTOR</p> <p>PRODUCT CUSTOMER DRAWING</p>		
	DRWN BY EANG	DATE 2014/03/13	CHK'D BY CGOH		DATE 2015/07/21	
	APPR BY KHLM	DATE 2015/07/22	DRAWING SIZE A3		THIRD ANGLE PROJECTION	
	DRAFT WHERE APPLICABLE MUST REMAIN WITHIN DIMENSIONS		SERIES 151048		MATERIAL NUMBER SEE TABLE	CUSTOMER GENERAL MARKET
RELEASE STATUS P1	RELEASE DATE 18.07.2017	09:34:43	DOCUMENT NUMBER SD-151048-0001	DOC TYPE PSD	DOC PART 001	SHEET NUMBER 4 OF 4