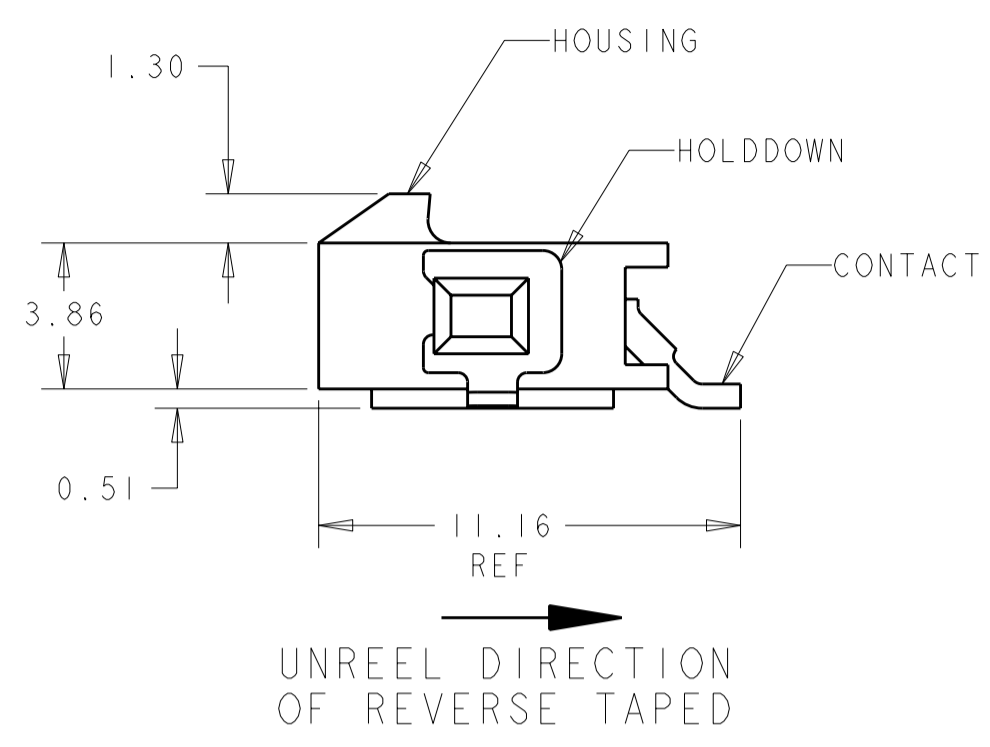
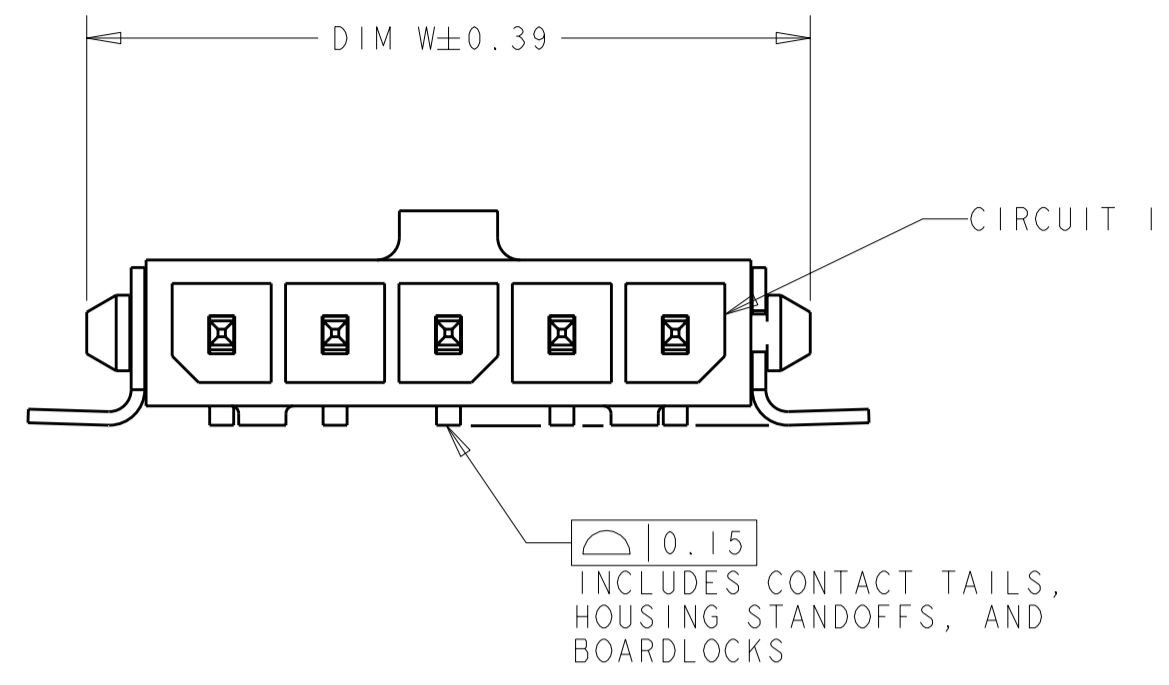
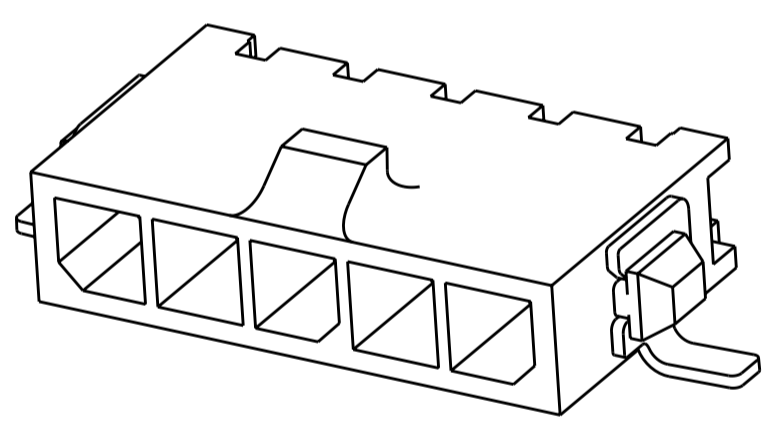
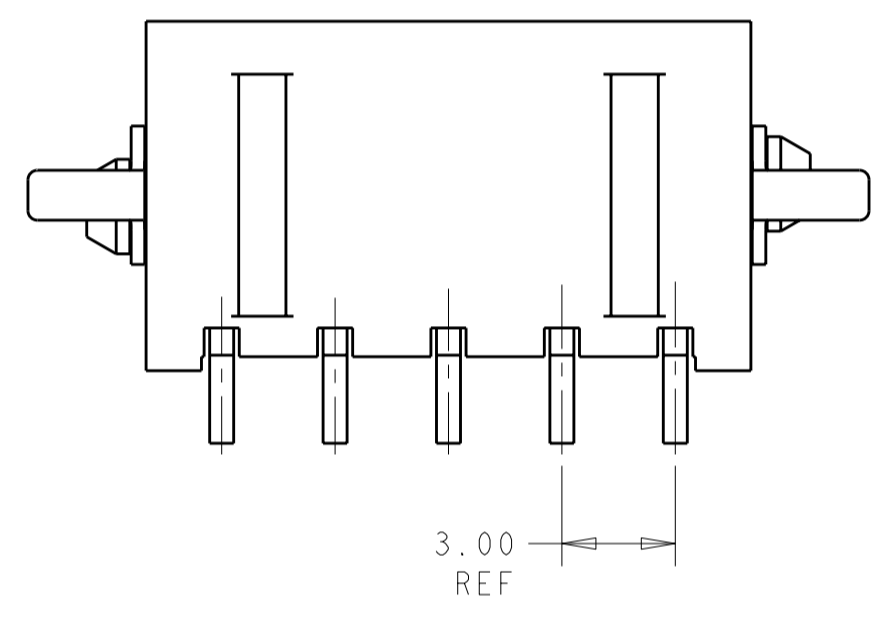


THIS DRAWING IS UNPUBLISHED. RELEASED FOR PUBLICATION 2009
 © COPYRIGHT 2009 BY - ALL RIGHTS RESERVED.

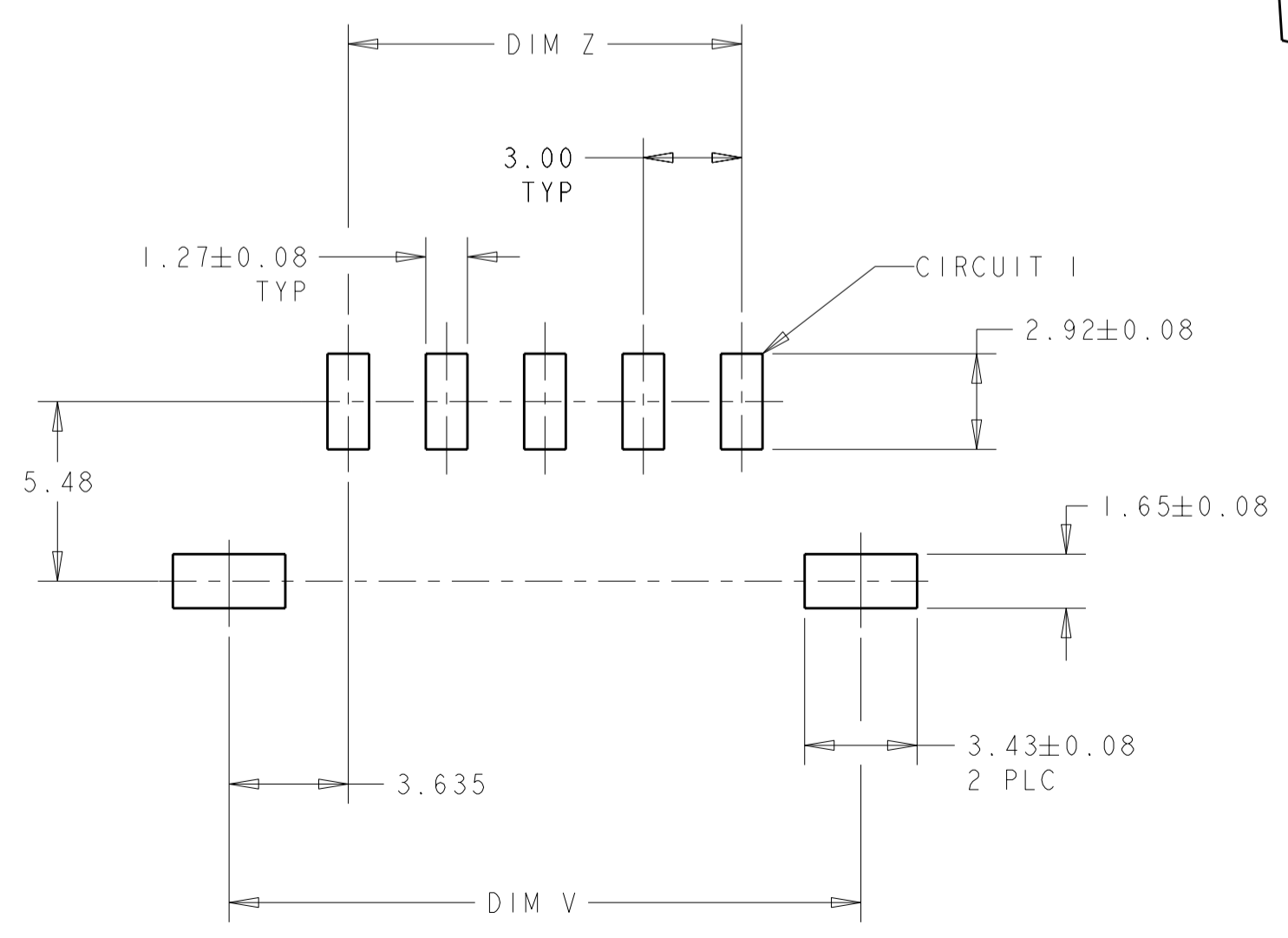
REVISIONS						
P	LTR	DESCRIPTION	DATE	DWN	APVD	
	CI	REVISED PER ECO-11-004587	11MAR2011	RK	HMR	



- 1 MATERIAL: CONTACTS - BRASS
HOUSING - UL 94V-0 RATED HIGH TEMP NYLON, COLOR BLACK.
HOLDDOWNS: - PHOSPHOR BRONZE.
- 2 PLATING: CONTACTS - 0.76µm MINIMUM GOLD ON MATING END, 2.54µm MINIMUM TIN LEAD ON SOLDER TAILS, BOTH OVER 1.27µm MINIMUM NICKEL.
HOLDDOWNS: 2.54µm MINIMUM MATTE TIN OVER 1.27µm MINIMUM NICKEL.
- 4 RECOMMENDED PC BOARD THICKNESS OF 1.57.
- 5 PLATING: CONTACTS - 0.76µm MINIMUM GOLD ON MATING END, 2.54µm MINIMUM MATTE TIN ON SOLDER TAILS, BOTH OVER 1.27µm MINIMUM NICKEL.
HOLDDOWNS: 2.54µm MINIMUM MATTE TIN OVER 1.27µm MINIMUM NICKEL.



REVERSE TAPED	5	9.00	16.41	16.00	4	6-1445100-4
TAPED	5	33.00	40.41	40.00	12	3-1445100-2
TAPED	5	30.00	37.41	37.00	11	3-1445100-1
TAPED	5	27.00	34.41	34.00	10	3-1445100-0
TAPED	5	24.00	31.41	31.00	9	2-1445100-9
TAPED	5	21.00	28.41	28.00	8	2-1445100-8
TAPED	5	18.00	25.41	25.00	7	2-1445100-7
TAPED	5	15.00	22.41	22.00	6	2-1445100-6
TAPED	5	12.00	19.41	19.00	5	2-1445100-5
TAPED	5	9.00	16.41	16.00	4	2-1445100-4
TAPED	5	6.00	13.41	13.00	3	2-1445100-3
TAPED	5	3.00	10.41	10.00	2	2-1445100-2
TAPED	2	33.00	40.41	40.00	12	1-1445100-2
TAPED	2	30.00	37.41	37.00	11	1-1445100-1
TAPED	2	27.00	34.41	34.00	10	1-1445100-0
TAPED	2	24.00	31.27	31.00	9	1445100-9
TAPED	2	21.00	28.41	28.00	8	1445100-8
TAPED	2	18.00	25.41	25.00	7	1445100-7
TAPED	2	15.00	22.41	22.00	6	1445100-6
TAPED	2	12.00	19.41	19.00	5	1445100-5
TAPED	2	9.00	16.41	16.00	4	1445100-4
TAPED	2	6.00	13.41	13.00	3	1445100-3
TAPED	2	3.00	10.41	10.00	2	1445100-2
PACKAGING	FINISH	DIM Z	DIM V	DIM W	NO. OF POSN	PART NUMBER



PCB LAYOUT COMPONENT SIDE 4



THIS DRAWING IS A CONTROLLED DOCUMENT. DWN J.ROOT 09OCT2000

CHK K. WHITAKER 17-APR-2001

APVD C. JONES 17-APR-2001

TE Connectivity

RIGHT ANGLE SURFACE MNT HEADER ASSY, 0.76 MIC GOLD CONTACTS, W/SURF MOUNT HOLDDOWNS, SGL ROW, MICRO MATE-N-LOK™

SIZE A2 CAGE CODE 00779 DRAWING NO. 1445100

RESTRICTED TO

MATERIAL SEE TABLE

WEIGHT -

CUSTOMER DRAWING

SCALE 5:1 SHEET 1 OF 1 REV CI

Mouser Electronics

Authorized Distributor

Click to View Pricing, Inventory, Delivery & Lifecycle Information:

[TE Connectivity:](#)

[1445100-2](#)