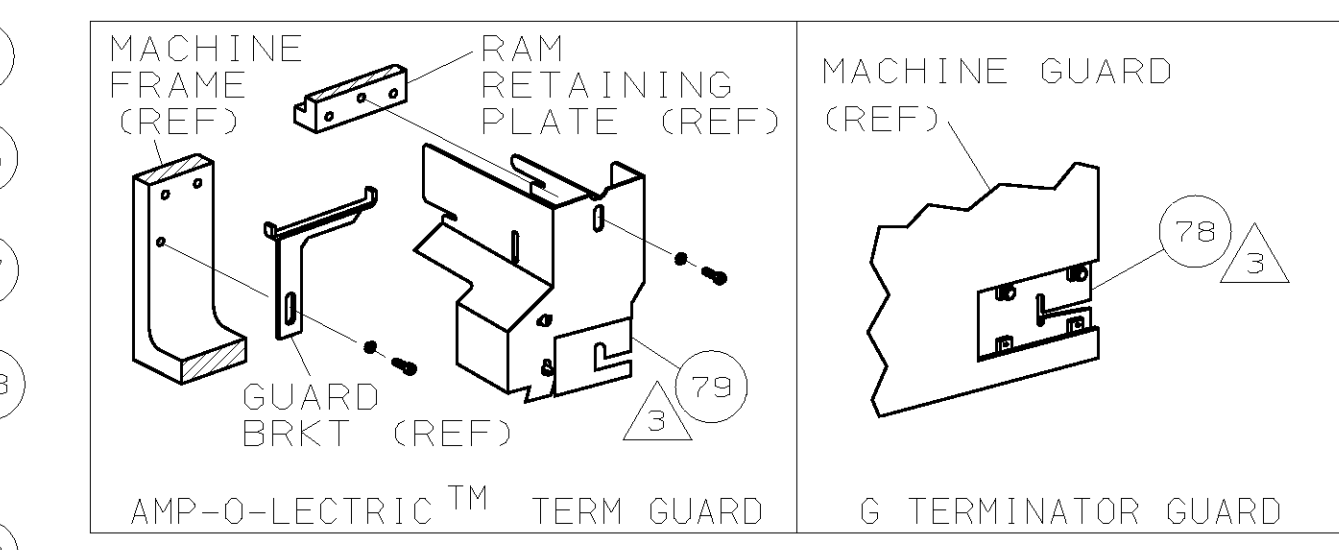
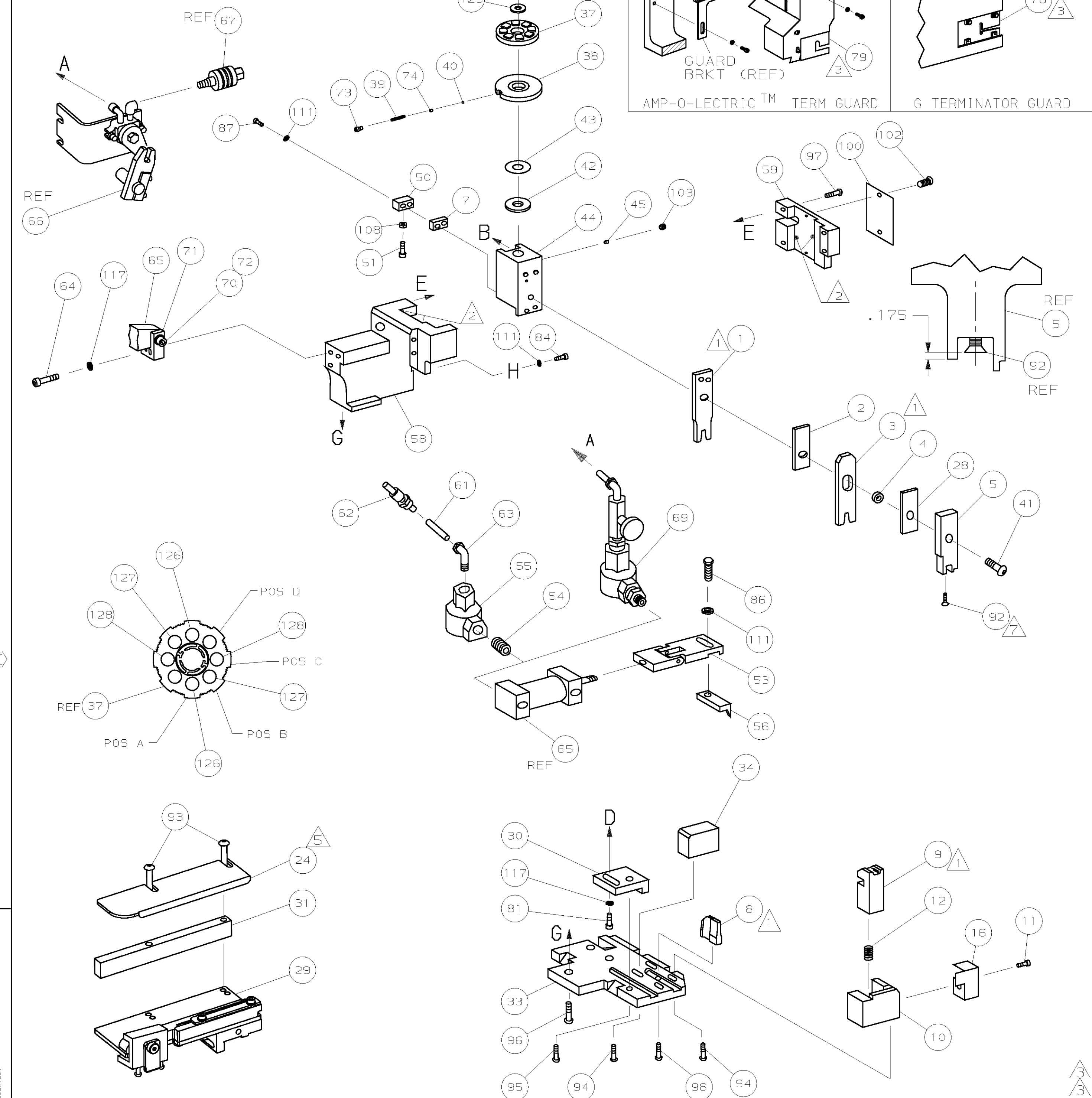


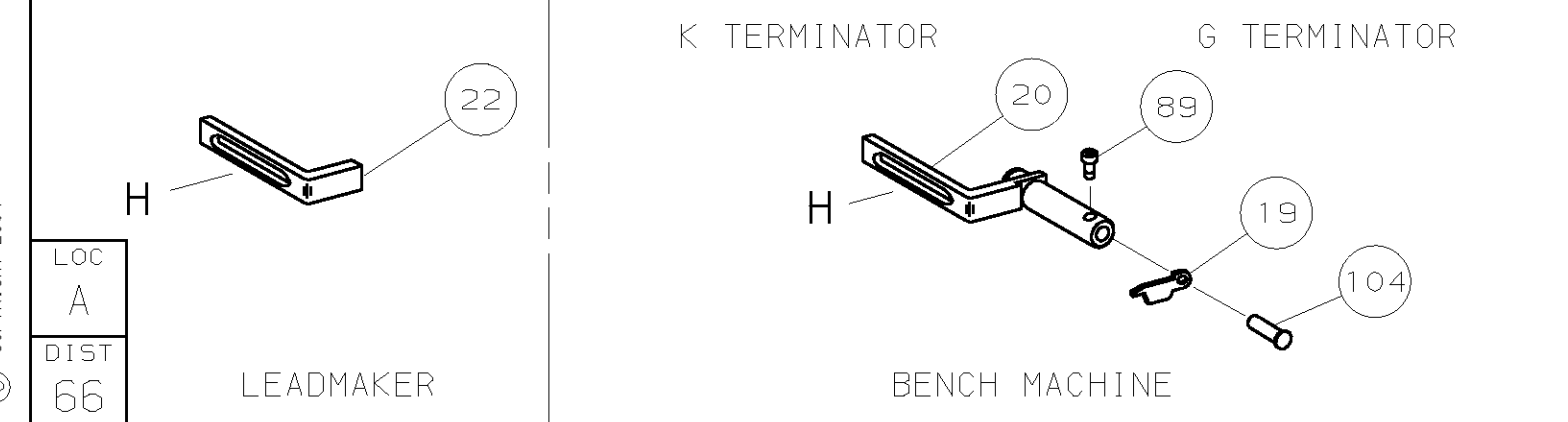
PART NUMBER	REV	FIRST USED
1385828-1	A	122500-1
1385828-2	A	565435-5
1385828-3	A	354500-1



TERMINAL NAME: 6.3MM YESO SEALED		YAZAKI CRIMP SPECS	
AMP	TERM PN	MFR	TERM PN
FEMALE			
1572591	7116-4141-02	PAD LTR	CRIMP HEIGHT
		A	.074 ±.002 [1.87 ±0.05mm]
		B	.069 ±.002 [1.75 ±0.05mm]
MALE			
1572592	7114-4141-02	C	.065 ±.002 [1.65 ±0.05mm]
		D	NOT USED
CRIMP		SIZE	TYPE
WIRE	.117 [2.97mm]	F	1.5-2.5mm²
INSUL	.204 [5.18mm]	0	Ø.140 MAX
WIRE STRIP LENGTH	.245-.260	TERM APPL	SPEC
		NONE	
		FEED	APPL INSTRUCTION
		8	408-8040
		SET UP GAGE	LAYOUT
		458637-1	L3045

QTY	REQD	PER	ASSY	PARTS LIST	DESCRIPTION	ITEM NO	
2	2	2	-	C	1-354779-2	PIN, WIRE DISC (.3050)C	129
2	2	2	-	C	354779-4	PIN, WIRE DISC (.3010)B	127
2	2	2	-	C	9-354778-2	PIN, WIRE DISC (.2955)A	126
1	1	1	-	A	986950-1	WASHER, FLAT PRECISION	125
1	1	1	-	A	217238-1	GENERAL INSTRUCTION PACKAGE	124
1	1	1	-	-	4088040	SF APPL INST 408-8040	123
							122
							121
							120
							119
							118
3	3	3	-	A	21024-5	WASHER, LOCK (#10) ADJ BLOCK	117
							116
							115
							114
							113
							112
4	4	4	-	A	21024-4	WASHER, LOCK (#8) STRIPPER	111
							110
							109
1	1	1	-	A	21018-5	NUT, HEX (NO. 6) HOLDDOWN	108
							107
							106
							105
1	1	-	-	A	992031-1	PIN, CLEVIS	104
1	1	1	-	A	21009-2	SCR, SKT 5ET (1/4-20x.25 LW) RAM	103
2	2	2	-	A	21017-2	SCR, DRIVE (#2x.19) ID PLATE	102
							101
1	1	1	-	B	461264-1	PLATE, IDENTIFICATION	100
							99
1	1	1	-	A	22733-8	SCR, BHC (8-32x.38 LW) ANVIL	98
4	4	4	-	A	2-21002-9	SCR, BHC (10-32x.75) CAP	97
3	3	3	-	A	2-22733-8	SCR, BHC (1/4-20x.62) H5G	96
1	1	1	-	A	2-21002-7	SCR, BHC (10-32x.50) 5G ADJ BLK	95
4	4	4	-	A	2-21002-2	SCR, BHC (8-32x.50) TERM H DWN	94
2	2	2	-	A	2-21002-4	SCR, BHC (8-32x.75) R STP GDE	93
1	1	1	-	A	1-21003-9	SCR, FHC (6-32x.38) DEP	92
							91
							90
1	1	-	-	A	7-21000-9	SCR, SHC (4-40x.19) STRIPPER	89
							88
2	2	2	-	A	2-21000-8	SCR, SHC (8-32x.62) DEP-HOLD	87
1	1	1	-	A	2-22603-1	SCR, HEX HD (8-32x.38) FEED FINGER	86
							85
1	1	1	-	A	2-21000-7	SCR, SHC (8-32x.50) STRIPPER	84
							83
							82
1	1	1	-	A	3-21000-4	SCR, SHC (10-32x.38) 5G ADJ BL	81
							80
-	1	-	-	B	462992-7	GUARD ASSY	79
REF	-	-	-	B	679532-1	INSERT, GUARD	78
							77
							76
							75
1	1	1	-	A	690603-1	SPRING, ASSIST	74
1	1	1	-	A	23030-1	SCR, SHC (6-32x.25 SL) INS DISC	73
1	1	1	-	A	3-21001-5	SCR, SHC (3/8-16x1.00) AIR FEED	72
1	1	1	-	B	459610-1	MOUNT, FEED BRACKET	71
							70
							69
							68
							67
							66
							65
							64
							63
							62
							61
							60
							59
							58
							57
							56
							55
							54
							53
							52
							51
							50
							49
							48
							47
							46
							45
							44
							43
							42
							41
							40
							39
							38
							37
							36
							35
							34
							33
							32
							31
							30
							29
							28
							27
							26
							25
							24
							23
							22
							21
							20
							19
							18
							17
							16
							15
							14
							13
							12
							11
							10
							9
							8
							7
							6
							5
							4
							3
							2
							1

- 1 RECOMMENDED SPARE PARTS.
- 2 GREASE LIGHTLY.
- 3 GUARD MUST BE IN PLACE WHEN OPERATING APPLICATOR IN A BENCH MACHINE.
- 4 SEE DRAWING FOR COMPONENTS
- 5 REAR STRIP GUIDE TO GUIDE ON INSULATION BARREL.
- 6 THIS APPLICATOR APPLIES TERMINAL WITH A SEAL.
- 7 APPLY TORQ-SEAL IN ALLEN SOCKET TO FILL HOLE AFTER FLAT HD HAS BEEN ADJUSTED TO CORRECT HEIGHT AT QUALIFICATION. APPLY PN 1-23419-5 LOC-TITE TO THREADS.
- 8 FEED FOR TERMINAL 1572591 IS .870; FEED FOR TERMINAL 1572592 IS .709. FEED ADJUSTMENT IS NECESSARY WHEN CHANGING TERMINALS.



QTY	REQD	PER	ASSY	PARTS LIST	DESCRIPTION	ITEM NO	
-1				LEADMAKER	AIRFEED		
-2				BENCH MODEL K	AIRFEED		
-3				BENCH MODEL G	AIRFEED		
1	1	1	-	A	21024-8	WASHER, LOCK 3/8	70
-	1	-	-	C	692655-5	AIR FEED VALVE ASSY	69
							68
-	REF	-	-	A	24042-2	VALVE, SHUT OFF	67
-	REF	-	-	C	692655-6	AIR FEED VALVE ASSY	66
1	1	1	-	B	461065-1	AIR FEED ASSY (1 INCH)	65
2	2	2	-	A	3-21000-9	SCR, SHC (10-32x1.00) AIR ASSY	64
1	-	1	-	A	980285-2	ELBOW, SWIVEL 1/8 NPT - 1/4 T	63
1	-	1	-	A	23238-1	QUICK DISCONNECT	62
21.00	-	21.00	IN	A	27319-4	TUBING, POLY-FLO Ø.25	61
							60
1	1	1	-	C	454220-1	CAP, RAM	59
1	1	1	-	D	454485-1	HOUSING	58
							57
1	1	1	-	B	2-694433-6	PAWL, FEED	56
1	-	1	-	A	22374-7	VALVE, QUICK EXHAUST	55
1	-	1	-	A	22304-1	NIPPLE, HEX	54
1	1	1	-	B	461062-1	FEED FINGER ASSY	53
							52
1	1	1	-	A	811242-2	BUMPER, HOLDDOWN	51
1	1	1	-	A	690753-1	SPACER, TONKER	50
							49
							48
							47
							46
1	1	1	-	A	690191-1	PLUG, NYLON	45
1	1	1	-	C	819307-7	RAM	44
1	1	1	-	A	690125-1	WASHER, LAMINATED	43
1	1	1	-	A	690124-1	WASHER, RAM	42
1	1	1	-	A	7-21002-9	BOLT, CRIMPER (5/16x1.00)	41
1	1	1	-	A	23241-6	BALL, STEEL	40
1	1	1	-	A	690170-1	SPRING, COMPRESSION	39
1	1	1	-	C	1-690142-2	DISC, INSULATION	38
1	1	1	-	D	354777-1	DISC, WIRE	37
1	1	1	-	A	22480-5	WASHER, SPRING	36
1	1	1	-	B	690212-1	POST, RAM	35
1	1	1	-	B	690786-3	SUPPORT, TERMINAL	34
1	1	1	-	D	318055-4	PLATE, BASE	33
							32
1	1	1	-	B	1-1320908-0	SPACER, STRIP GUIDE	31
1	1	1	-	B	455689-1	BLOCK, STRIP GUIDE ADJ	30
1	1	1	-	C	1633091-7	STRIP GUIDE ASSEMBLY	29
1	1	1	-	C	455888-8	SPACER, FRONT SHEAR DEP	28
							27
							26
							25
1	1	1	-	D	1320928-3	GUIDE, STRIP (REAR)	24
							23
-	-	1	-	B	690472-2	STRIPPER	22
							21
1	1	-	-	A	679218-1	STRIPPER WIRE STOP ASSY	20
1	1	-	-	B	458949-1	STRIPPER	19
							18
							17
1	1	1	-	B	318563-1	GUARD, CHIP, FRONT	16
							15
							14
							13
1	1	1	-	A	4-22280-8	SPRING, SHEAR	12
1	1	1	-	A	1-21000-9	SCR, SHC (8-32x.38) SHEAR STOP	11
1	1	1	-	C	2-690459-2	HOLDER, SHEAR (FRONT)	10
1	1	1	-	C	318059-4	SHEAR, FLOAT (FRONT)	9
1	1	1	-	C	9-662520-1	ANVIL	8
1	1	1	-	C	4-240641-6	SPACER, DEPRESSOR (REAR)	7
							6
1	1	1	-	C	122399-4	DEPRESSOR, SHEAR (FRONT)	5
1	1	1	-	B	238011-2	SPACER, BLOCK CRIMPER	4
1	1	1	-	C	1-1583690-5	CRIMPER, INSULATION	3
1	1	1	-	C	2-455888-7	SPACER, CRIMPER	2
1	1	1	-	C	7-1490019-4	CRIMPER, WIRE	1

QTY	REQD	PER	ASSY	PARTS LIST	DESCRIPTION	ITEM NO
-----	------	-----	------	------------	-------------	---------

# Mouser Electronics

Authorized Distributor

Click to View Pricing, Inventory, Delivery & Lifecycle Information:

[TE Connectivity:](#)

[1385828-3](#)