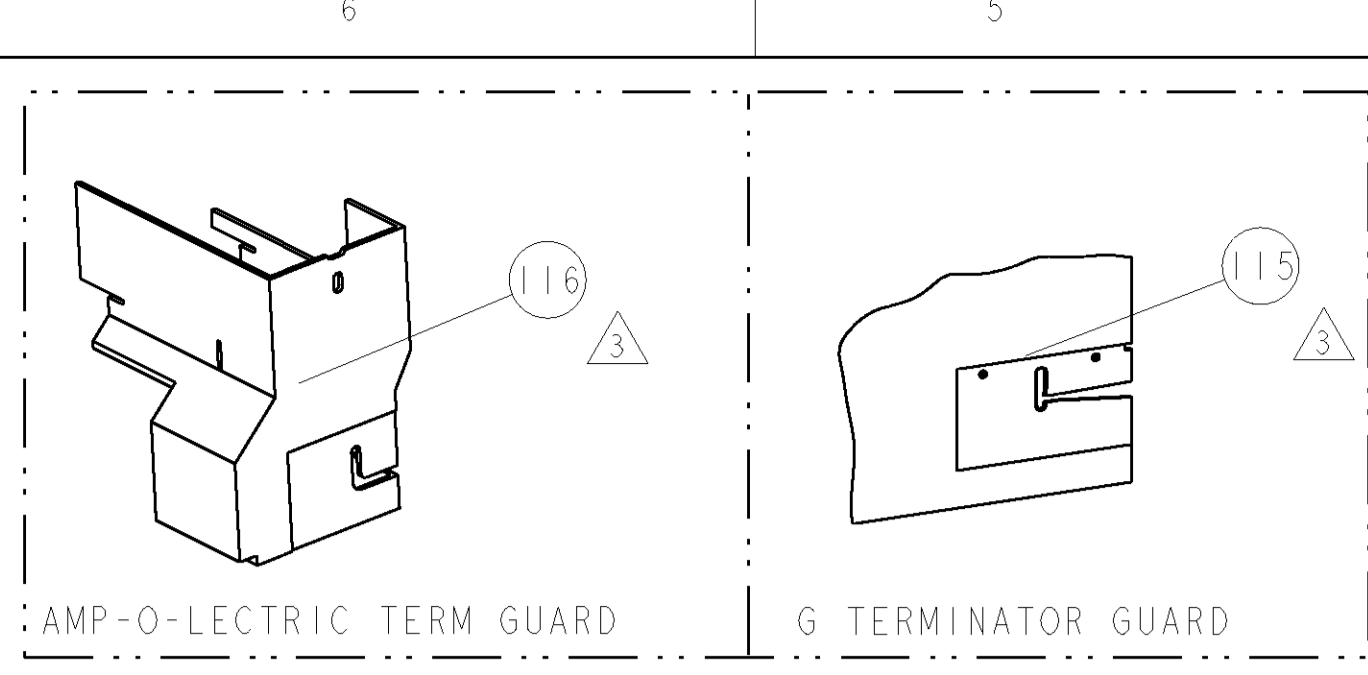


PART NUMBER	REV	FIRST USED	POWER UNIT	FEED TYPE	DESCRIPTION
1855160-1	A	122500-1	LEADMAKER	AIR FEED	CUTS CARRIER
1855160-2	A	565435-5	BENCH MODEL K	AIR FEED	CUTS CARRIER
1855160-3	A	354500-1	BENCH MODEL G	AIR FEED	CUTS CARRIER
1855160-6	A	122500-1	LEADMAKER	AIR FEED	CONTINUOUS CARRIER
7-1855160-7	A	-	-	-	SPARE PARTS

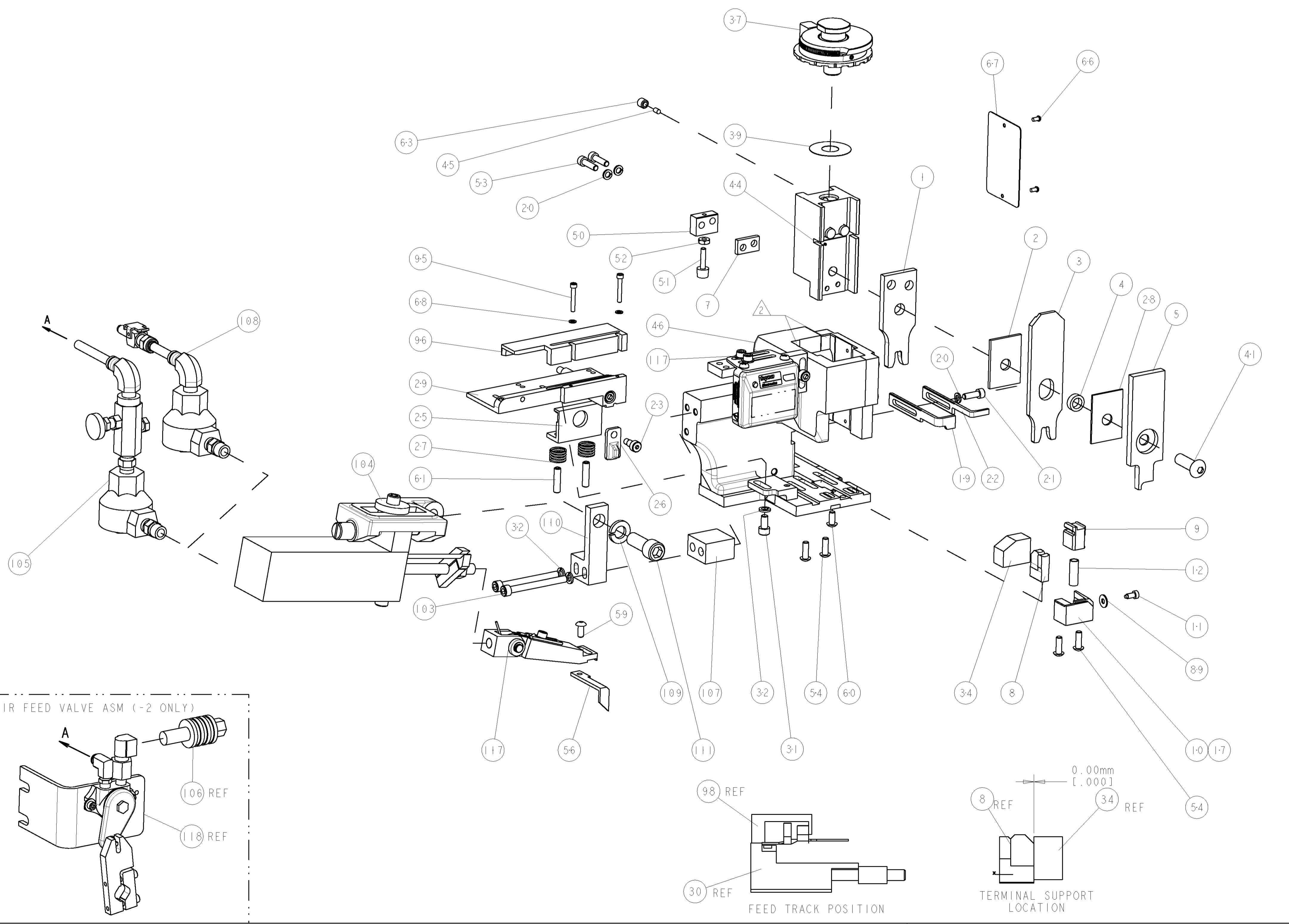


TERMINAL NAME: RING TONGUE		TYCO P/N		MTA P/N		MTA TERMINAL - MTA CRIMP SPECS		REF	
1949231	17.08245								
		CRIMP HEIGHT		WIRE SIZE		REF SETTING			
		3.70±0.05mm [1.46±.002]		8mm ²		C1			
		3.45±0.05mm [1.36±.002]		6mm ²		D5			
		CRIMP		SIZE		TYPE		RANGE	
		WIRE		5.33mm [.210]		F		6-8mm ²	
		INSUL		6.86mm [.270]		F		Ø6.35mm MAX	
WIRE STRIP LENGTH		TERM APPL SPEC		FEED		APPLICATOR INSTRUCTIONS		SET UP GAGE	
6.3 - 7.1mm		NONE		24.5mm		408-8040		458637-1	

LOC	DIST	REV	DESCRIPTION	DATE	BY	APPD
A	66		RELEASED	09FEB2007	RK	TE

- △ RECOMMENDED SPARE PARTS
- △ GREASE LIGHTLY
- △ GUARD MUST BE IN PLACE WHEN OPERATING APPLICATOR IN A BENCH MACHINE

*** WARNING**
ON INSTALLATION, SET WIRE DISC TO LARGEST WIRE SIZE SETTING. USE OF SETTINGS BELOW MIN. REQUIRED CRIMP HEIGHT SETTING WILL CAUSE DAMAGE TO CRIMP TOOLING.



-	-	-	REF	-	-	692655-6	AIR FEED VALVE ASSEMBLY	118
-	1	1	1	1	-	461062-1	FEED FINGER ASSEMBLY	117
-	-	-	REF	-	..	455749-1	GUARD WINDOW	116
-	-	-	REF	-	..	679532-1	INSERT, GUARD	115
-	1	1	1	1	-	3-21001-5	SCR, SKT HD CAP 3/8-16 X 1.000	111
-	1	1	1	1	-	459610-3	MOUNT, FEED BRACKET	110
-	1	1	1	1	-	21024-8	WASHER, SPRG LOCK, REG 3/8	109
-	1	1	1	1	-	692655-7	AIR FEED VALVE ASSEMBLY	108
-	1	1	1	1	-	461690-1	SPACER, AIR FEED	107
-	-	-	REF	-	-	24024-2	VALVE, SHUT OFF	106
-	-	-	1	-	-	692655-5	AIR FEED VALVE ASSEMBLY	105
-	1	1	1	1	-	461065-2	ASSEMBLY, AIR FEED	104
-	2	2	2	2	-	4-21000-3	SCR, SKT HD CAP 10-32 X 2.000	103
-	1	1	1	1	-	1490899-7	GUIDE, FRONT STRIP	96
-	2	2	2	2	-	1-21000-7	SCR, SKT HD CAP 4-40 X .750	95
-	1	1	1	1	-	21055-5	WASHER, FLAT, REG NO 6	89
-	1	1	1	1	-	4088040	SF APPL INST 408-8040	72
-	1	1	1	1	-	217238-1	GENERAL INSTRUCTION PKG	71
-	2	2	2	2	-	21024-2	WASHER, SPRG LOCK, REG NO 4	68
-	1	1	1	1	-	461264-5	PLATE, IDENTIFICATION	67
-	2	2	2	2	-	21017-2	SCREW, DRIVE	66
-	1	1	1	1	-	21009-2	SCR, SET, SELF LOCKING 1/4-20 X .250	63
-	2	2	2	2	-	5-21006-6	SCR, SET, CUP POINT 10-32 X .750	61
-	1	1	1	1	-	22733-8	SCR, BHSC, SELF-LOCKING, 8-32 X .375	60
-	1	1	1	1	-	2-21002-1	SCR, BTN SKT HD CAP 8-32 X .375	59
-	1	1	1	1	-	3-694433-1	FEED PAWL	56
-	4	4	4	4	-	2-21002-2	SCR, BTN SKT HD CAP 8-32 X .500	54
-	2	2	2	2	-	2-21000-8	SCR, SKT HD CAP 8-32 X .625	53
-	1	1	1	1	-	21018-5	NUT, HEX, REG 6-32	52
-	1	1	1	1	-	811242-2	BUMPER, HOLD DOWN	51
-	1	1	1	1	-	690753-1	SPACER, TONKER	50
-	1	1	1	1	-	1633399-1	APPL., BASIC AIR FEED SUB ASSY	46
-	1	1	1	1	-	690191-1	PLUG, NYLON	45
-	1	1	1	1	-	2-819307-3	RAM, SIDE FEED	44
-	1	1	1	1	-	7-21002-9	SCR, BTN SKT HD CAP 5/16-24 X 1.00	41
-	1	1	1	1	-	690125-1	SHIM SUB-ASSY	39
-	1	1	1	1	-	879103-2	FINE ADJUST HEAD ASSEMBLY	37
-	1	1	1	1	-	690786-6	TERMINAL SUPPORT	34
-	3	3	3	3	-	21024-5	WASHER, SPRG LOCK, REG NO 10	32
-	1	1	1	1	-	3-21000-4	SCR, SKT HD CAP 10-32 X .375	31
-	1	1	1	1	-	1633091-6	ASSEMBLY, STRIP GUIDE	29
-	1	1	1	1	-	1-455888-0	SPACER, CRIMPER	28
-	2	2	2	2	-	1-22284-0	SPRING, COMPRESSION	27
-	1	1	1	1	-	356835-1	LEVER, DRAG RELEASE	26
-	1	1	1	1	-	240792-1	DRAG, TERMINAL	25
-	1	1	1	1	-	21989-8	SCR, SKT HD SHLDR 3/16 DIA X .250	23
-	1	1	1	1	-	690472-2	STRIPPER	22
-	1	1	1	1	-	2-21000-7	SCR, SKT HD CAP 8-32 X .500	21
-	3	3	3	3	-	21024-4	WASHER, SPRG LOCK, REG NO 8	20
-	-	-	1	-	-	691353-1	STRIPPER	19
-	1	1	1	1	-	1-679625-3	SHEAR HOLDER, FRONT (NO CUT)	17
-	1	1	1	1	-	5-22280-0	SPRING, COMPRESSION	12
-	1	1	1	1	-	690461-2	STOP, SHEAR	11
-	-	-	1	-	-	2-690459-0	SHEAR HOLDER, FRONT	10
-	1	1	1	1	-	2-454276-4	FLOATING SHEAR, FRONT	9
-	1	1	1	1	-	1633332-7	ANVIL, COMBINATION	8
-	1	1	1	1	-	240641-5	SPACER	7
-	1	1	1	1	-	4-455889-2	DEPRESSOR, SHEAR	5
-	1	1	1	1	-	4-238011-2	BLOCK, CRIMPER SPACER	4
-	1	1	1	1	-	1633536-1	CRIMPER, INSULATION F	3
-	1	1	1	1	-	1-455888-9	SPACER, CRIMPER	2
-	1	1	1	1	-	456430-9	CRIMPER, WIRE	1

INCHES	TOLERANCES UNLESS OTHERWISE SPECIFIED:	APPROVED	DATE	NAME	DESCRIPTION	ITEM NO
0 PLC	± .001	DRN	17JAN2007	T. ELBIN	FINE ADJUST SIDE FEED HDM APPLICATOR	
1 PLC	± .01	CHK	09FEB2007	T. ELBIN		
2 PLC	± .01	APPD	17JAN2007	T. ELBIN		
3 PLC	± .001					
4 PLC	± .001					
ANGLES	± .0001					

Mouser Electronics

Authorized Distributor

Click to View Pricing, Inventory, Delivery & Lifecycle Information:

[TE Connectivity:](#)

[1855160-2](#)