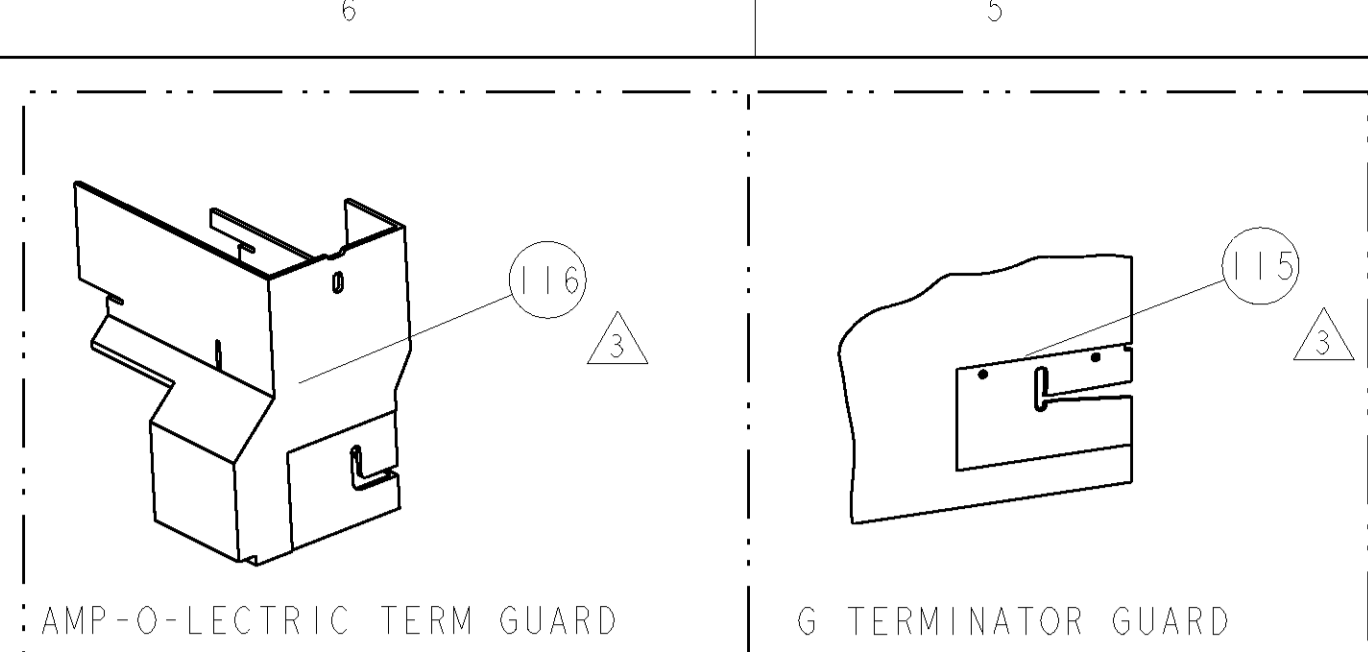


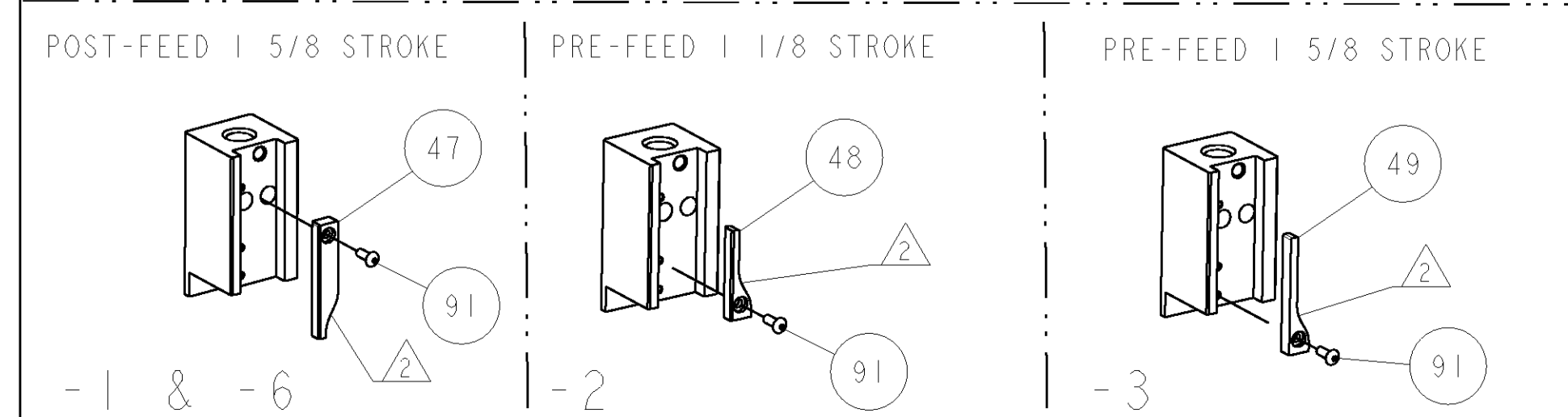
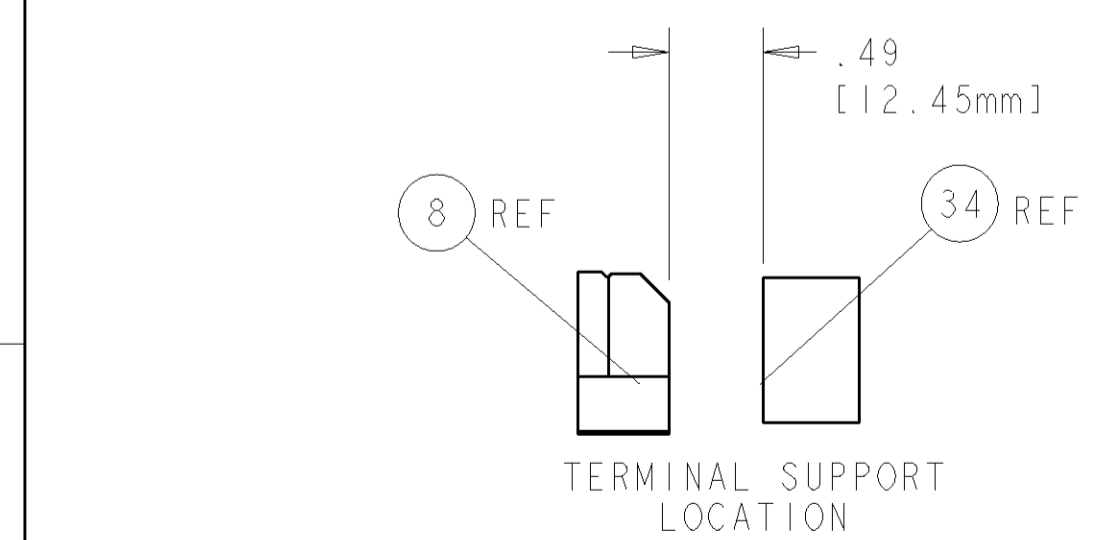
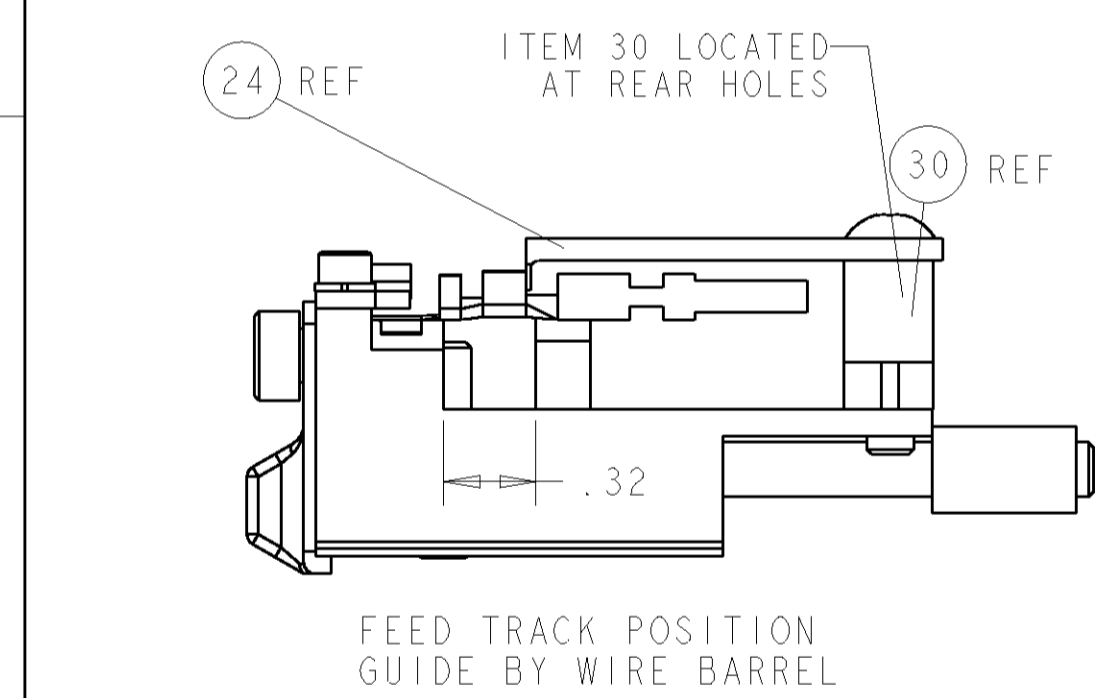
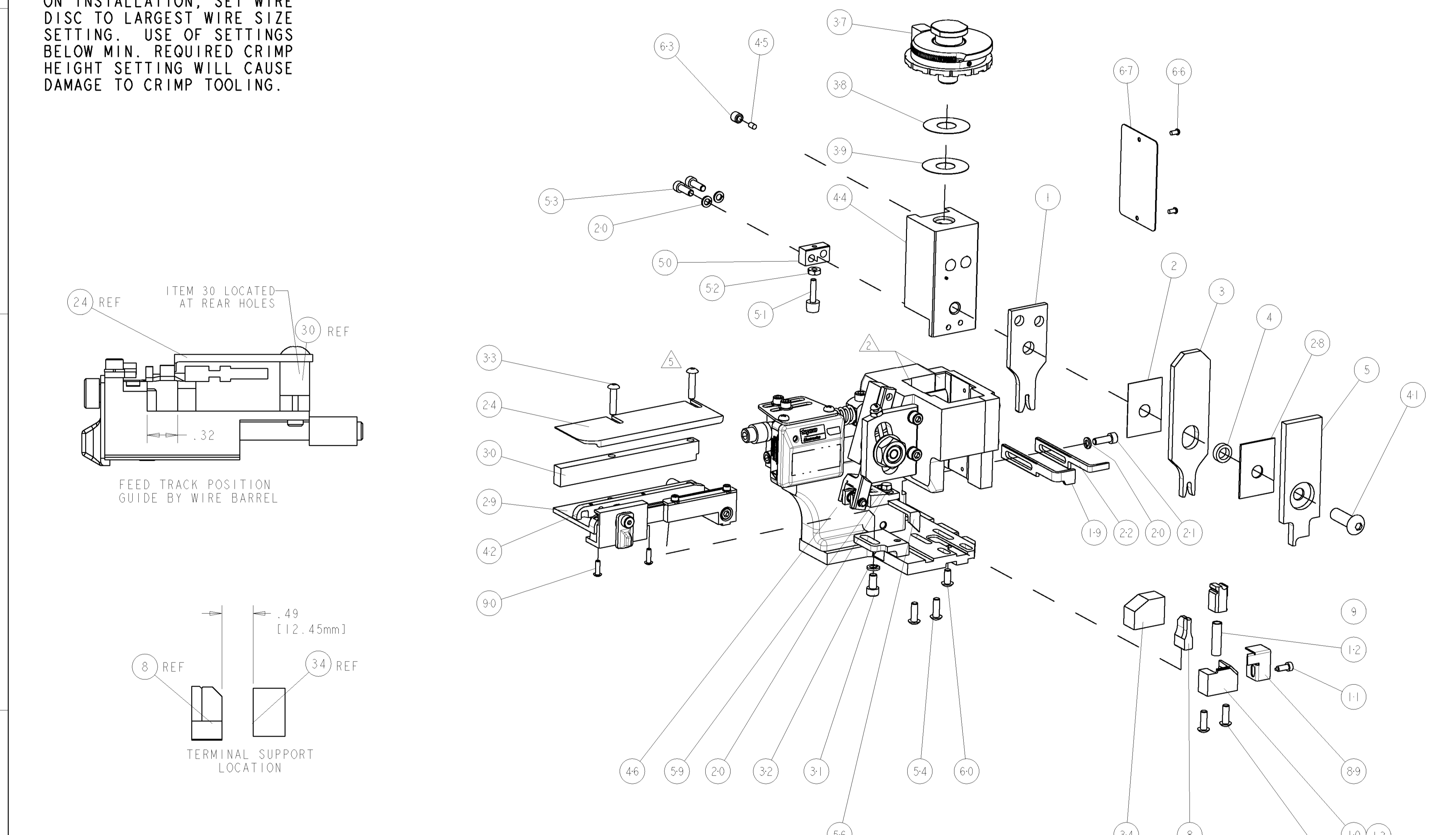
PART NUMBER	REV	FIRST USED	POWER UNIT	FEED TYPE	DESCRIPTION
1855363-1	A	122500-1	LEADMAKER	POST FEED	CUTS CARRIER
1855363-2	A	565435-5	BENCH MODEL K	PRE FEED	CUTS CARRIER
1855363-3	A	354500-1	BENCH MODEL G	PRE FEED	CUTS CARRIER
1855363-6	A	122500-1	LEADMAKER	POST FEED	CONTINUOUS CARRIER
7-1855363-7	A	-	-	-	SPARE PARTS



TE PN		MANF PN		YAZAKI TERMINAL - YAZAKI CRIMP SPECS		REF SETTING
1949595	451411-13-027	7113-2346		CRIMP HEIGHT	WIRE SIZE	B8
-	-	-	-	1.75mm+ .05/- .05 [ .069+ .002/- .002 ]	2.5mm <sup>2</sup>	C7
-	-	-	-	1.65mm+ .05/- .05 [ .065+ .002/- .002 ]	14AWG <sup>4</sup>	DO
-	-	-	-	1.60mm+ .05/- .05 [ .063+ .002/- .002 ]	1.5mm <sup>2</sup>	-
CRIMP	SIZE	TYPE	RANGE			
-	-	-	-	WIRE	2.36mm [ .093 ]	<sup>4</sup>
-	-	-	-	INSUL	3.25mm [ .128 ]	0
WIRE STRIP LENGTH	TERM APPL SPEC	FEED	APPLICATOR INSTRUCTIONS	SET UP GAGE		
4.763-5.144	NONE	13.208	408-8040	458637-1		

- △ RECOMMENDED SPARE PARTS
- △ GREASE LIGHTLY
- △ GUARD MUST BE IN PLACE WHEN OPERATING APPLICATOR IN A BENCH MACHINE
- △ YAZAKI RECOMMENDED WIRES SIZES FOR THIS TERMINAL ARE 1.5mm AND 2.5mm. 14AWG WIRE DOES NOT APPEAR ON YAZAKI SPEC TYCO ELECTRONICS CALCULATED CRIMP HEIGHT
- △ CUT TO LENGTH AT ASSEMBLY

**\* WARNING**  
ON INSTALLATION, SET WIRE DISC TO LARGEST WIRE SIZE SETTING. USE OF SETTINGS BELOW MIN. REQUIRED CRIMP HEIGHT SETTING WILL CAUSE DAMAGE TO CRIMP TOOLING.



QTY	REF	DESCRIPTION	ITEM NO
-	-	455749-1 GUARD WINDOW	116
-	-	679532-1 INSERT, GUARD	115
-	1	1-21002-7 SCR, BTN SKT HD CAP 6-32 X .375	91
-	2	1-21002-4 SCR, BTN SKT HD CAP 4-40 X .375	90
-	1	318563-1 GUARD, FRONT CHIP	89
-	1	4088040 SF APPL INST 408-8040	72
-	1	217238-1 GENERAL INSTRUCTION PKG	71
-	1	461264-5 PLATE, IDENTIFICATION	67
-	2	21017-2 SCREW, DRIVE	66
-	1	21009-2 SCR, SET, SELF LOCKING 1/4-20 X .250	63
-	1	22733-8 SCR, BHSC, SELF-LOCKING, 8-32 X .375	60
-	1	2-22603-0 SCR, HEX HD CAP 8-32 X .312	59
-	1	458537-2 PAWL, FEED	56
-	4	2-21002-2 SCR, BTN SKT HD CAP 8-32 X .500	54
-	2	2-21000-7 SCR, SKT HD CAP 8-32 X .500	53
-	1	21018-5 NUT, HEX, REG 6-32	52
-	1	811242-2 BUMPER, HOLD DOWN	51
-	1	690753-1 SPACER, TONKER	50
-	-	690602-6 CAM, PRE FEED, 1 5/8	49
-	-	690602-5 CAM, PRE FEED, 1 1/8	48
-	-	690501-4 CAM, POST FEED, 1 5/8	47
-	1	459456-1 APPL. BASIC SUB ASSY (SIDE WISE MQCA)	46
-	1	690191-1 PLUG, NYLON	45
-	1	455673-1 RAM, SIDE FEED	44
-	1	189807-3 FENCE	42
-	1	7-21002-9 SCR, BTN SKT HD CAP 5/16-24 X 1.00	41
-	1	690125-1 SHIM SUB-ASSY	39
-	1	469367-1 SHIM	38
-	1	879103-3 FINE ADJUST HEAD ASSEMBLY	37
-	1	3-690786-3 TERMINAL SUPPORT	34
-	2	2-21002-4 SCR, BTN SKT HD CAP 8-32 X .750	33
-	1	21024-5 WASHER, SPRG LOCK, REG NO 10	32
-	1	3-21000-4 SCR, SKT HD CAP 10-32 X .375	31
-	1	1320908-8 SPACER, STRIP GUIDE	30
-	1	1633091-7 ASSEMBLY, STRIP GUIDE	29
-	1	1-455888-0 SPACER, CRIMPER	28
-	1	1320928-5 PLATE, STRIP GUIDE	24
-	1	690472-2 STRIPPER	22
-	1	2-21000-7 SCR, SKT HD CAP 8-32 X .500	21
-	4	21024-4 WASHER, SPRG LOCK, REG NO 8	20
-	1	691353-1 STRIPPER	19
-	1	679625-1 SHEAR HOLDER, FRONT (NO CUT)	13
-	1	3-22280-3 SPRING, COMPRESSION	12
-	1	1-690461-7 STOP, SHEAR	11
-	1	690459-1 SHEAR HOLDER, FRONT	10
-	1	462006-1 FLOATING SHEAR, FRONT	9
-	1	5-1633535-6 ANVIL, COMBINATION	8
-	-	-	7
-	-	-	6
-	1	2-455889-0 DEPRESSOR, SHEAR	5
-	1	1-238011-9 BLOCK, CRIMPER SPACER	4
-	1	1633589-9 CRIMPER, INSUL 0	3
-	1	455888-2 SPACER, CRIMPER	2
-	1	6-1673600-3 CRIMPER, WIRE	1

LOC	DIST	REV	DATE	BY	CHK	APPV	DATE	DESCRIPTION	DATE	BY	CHK	APPV
A	66											
		A1						NO PRINT IN STARTEC	15APRIL2008	CMR	GB	

DIMENSIONS: INCHES		TOLERANCES UNLESS OTHERWISE SPECIFIED:	
0 PLC	±	1 PLC	±0.1
1 PLC	±0.01	2 PLC	±0.01
3 PLC	±0.001	4 PLC	±0.001
5 PLC	±0.0001	ANGLES	±0.0001

DRAWN: C. REICHEL	DATE: 02JAN2008	DESIGNED: T. ELBIN	DATE: 02JAN2008
APPROVED: N. DEMING	DATE: 02JAN2008	NAME: FINE ADJUST SIDE FEED HDM APPLICATOR	PRODUCT SPEC: -
MATERIAL: -	FINISH: -	WEIGHT: -	SCALE: 3:5
CUSTOMER DRAWING	SIZE: A1	CAGE CODE: 00779	DRAWING NO: 1855363

CUSTOMER VIEWABLE ASSEMBLY

# Mouser Electronics

Authorized Distributor

Click to View Pricing, Inventory, Delivery & Lifecycle Information:

[TE Connectivity:](#)

[1855363-2](#)