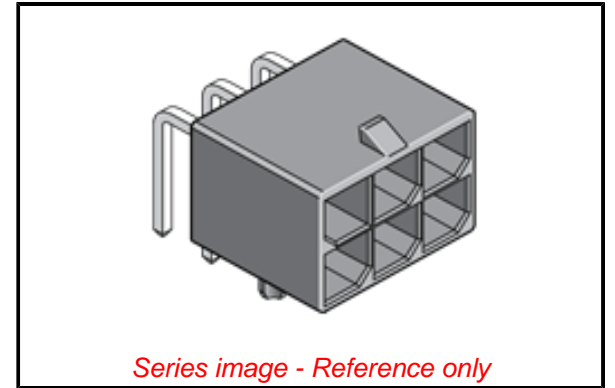


**PLEASE CHECK WWW.MOLEX.COM FOR LATEST PART INFORMATION**

**Part Number:** [1720640002](#)  
**Status:** **Active**  
**Overview:** Mega-Fit® Power Connectors  
**Description:** 5.70mm Pitch, Mega-Fit® Right-Angle Header, 2 Circuits, 0.38µm Gold (Au) Plating, UL 94 V-0, Tray

**Documents:**

<a href="#">3D Model</a>	<a href="#">Packaging Specification PK-76825-0000 (PDF)</a>
<a href="#">Drawing (PDF)</a>	<a href="#">Test Summary TS-76823-100-001 (PDF)</a>
<a href="#">Product Specification PS-76823-100-001 (PDF)</a>	<a href="#">Test Summary TS-76825-001-001 (PDF)</a>
<a href="#">Application Specification AS-76823-100-001 (PDF)</a>	<a href="#">RoHS Certificate of Compliance (PDF)</a>



**Agency Certification**

CSA	LR19980
UL	E29179

**General**

Product Family	PCB Headers
Series	<a href="#">172064</a>
Application	Power, Wire-to-Board
Overview	<a href="#">Mega-Fit® Power Connectors</a>
Product Name	Mega-Fit®
UPC	887191453767

**Physical**

Breakaway	No
Circuits (Loaded)	2
Circuits (maximum)	2
Color - Resin	Black
First Mate / Last Break	No
Flammability	94V-0
Glow-Wire Compliant	Yes
Keying to Mating Part	Yes
Lock to Mating Part	Yes
Mated Height	16.78mm
Material - Metal	Copper
Material - Plating Mating	Gold
Material - Plating Termination	Tin
Material - Resin	High Temperature Thermoplastic
Net Weight	1.935/g
Number of Rows	2
Orientation	Right Angle
PCB Locator	Yes
PCB Retention	Yes
PCB Thickness - Recommended	1.57mm, 2.36mm
Packaging Type	Tray
Pitch - Mating Interface	5.70mm
Pitch - Termination Interface	5.70mm
Plating min - Mating	0.381µm
Plating min - Termination	1.270µm
Polarized to Mating Part	Yes
Polarized to PCB	Yes
Shrouded	Yes
Surface Mount Compatible (SMC)	Yes
Temperature Range - Operating	-40°C to +120°C
Termination Interface: Style	Through Hole
Unmated Height	14.53mm

**EU ELV**

**Not Relevant**

**EU RoHS**

**Compliant**

**REACH SVHC**

Not Contained Per -  
ED/21/2016 (20 June  
2016)

**Halogen-Free**

**Status**

**Low-Halogen**

**Need more information on product  
environmental compliance?**

Email [productcompliance@molex.com](mailto:productcompliance@molex.com)  
Please visit the [Contact Us](#) section for any  
non-product compliance questions.

China ROHS	Green Image
ELV	Not Relevant
RoHS Phthalates	Not Contained

**Search Parts in this Series**

[172064](#) Series

**Mates With**

[171692](#) , [170001](#) Mega-Fit® Receptacle  
Housings

**Electrical**

Current - Maximum per Contact	23.0A
Voltage - Maximum	600V

**Solder Process Data**

Duration at Max. Process Temperature (seconds)	030
Lead-free Process Capability	SMC&WAVE
Max. Cycles at Max. Process Temperature	001
Process Temperature max. C	260

**Material Info****Reference - Drawing Numbers**

Application Specification	AS-76823-100-001
Packaging Specification	PK-76825-0000
Product Specification	PS-76823-100-001
Sales Drawing	SD-76825-0100
Test Summary	TS-76823-100-001, TS-76825-001-001

This document was generated on 11/21/2016

**PLEASE CHECK [WWW.MOLEX.COM](http://WWW.MOLEX.COM) FOR LATEST PART INFORMATION**