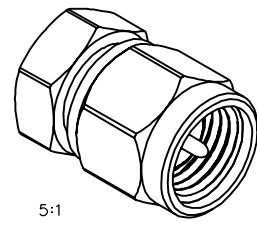
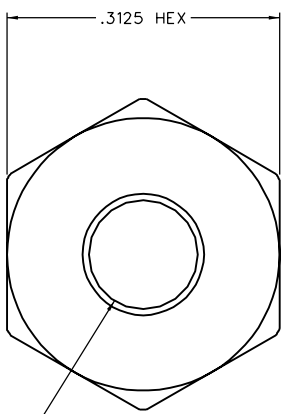


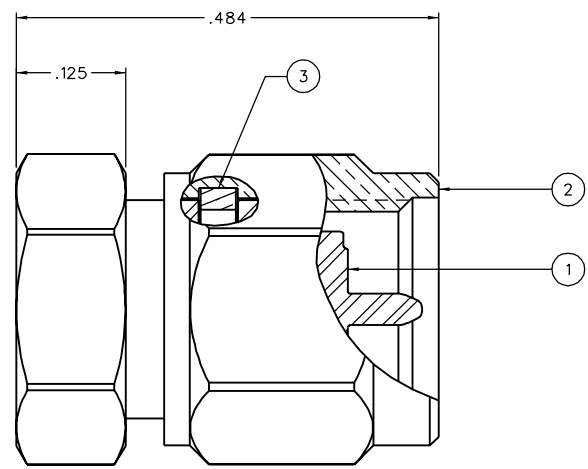
PART NUMBER 140-0000-973	ITEM ① BODY STAINLESS STEEL PASSIVATED	ITEM ② COUPLING NUT BRASS NICKEL PL .0001 MIN OVER COPPER PL .00005 MIN	ITEM ③ RETENTION SPRING BERYLLIUM COPPER UNPLATED
-----------------------------	---	---	--



5:1



Ø.125 X .325 DEEP



NOTES:

1. THIS FIXTURE IS TO BE USED AS AN AID DURING THE SOLDERING PROCESS OF ATTACHING AN SMA JACK CONNECTOR TO A PC BOARD. THE FIXTURE PROTECTS THE MATING END OF THE CONNECTOR FROM DAMAGE AND ALSO MAINTAINS THE PROPER LOCATION OF THE CONNECTOR INSULATOR AND CONTACT WHILE HEAT IS APPLIED DURING SOLDERING. TO USE THE FIXTURE, THREAD THE COUPLING NUT ONTO THE MATING END OF THE SMA JACK CONNECTOR AND HAND TIGHTEN TO A MAXIMUM OF 5 IN-LBS MATING TORQUE. THIS ASSEMBLY CAN NOW BE HELD IN A VICE OR SIMILAR CLAMPING DEVICE. ALLOW THE CONNECTOR TO COOL DOWN AFTER SOLDERING BEFORE REMOVING THE FIXTURE.

DRAWING NO. C - 140-0000-973	
0	REVISIONS
ENGINEERING RELEASE	
1	7-12-04 R K
	9-29-04 ECN 49361

CUSTOMER DRAWING

THIS DRAWING TO BE INTERPRETED PER ANS Y 14.5M - 1982

"μ STATION"

COMPANY CONFIDENTIAL

TOLERANCE UNLESS OTHERWISE SPECIFIED	DRAWN BY JRK	DATE 7-7-04	JOHNSON. 299 Johnson Ave. P.O. Box 1732 Waseca, MN 56093-0832
DECIMALS .XX	CHECKED BY	DATE	
.XXX REF	APPROVED BY JRK	DATE 9-29-04	SMA JACK END LAUNCH ASSEMBLY LOCATION SOLDERING TOOL
MATL	APPROVED BY	DATE	
FINISH	RELEASE DATE	9-29-04	CODE NO. DRAWING NO. C - 140-0000-973
SCALE 10:1			U/M INCH
SHEET 2			OF 2