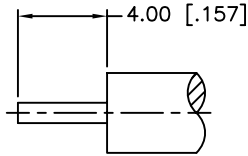
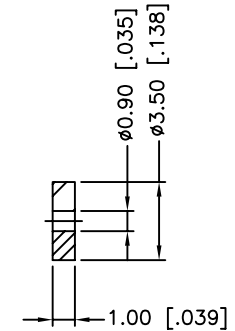
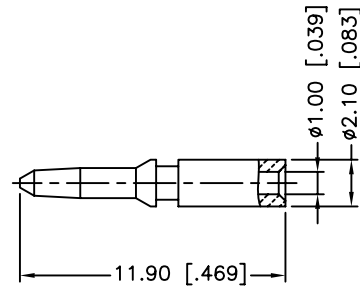
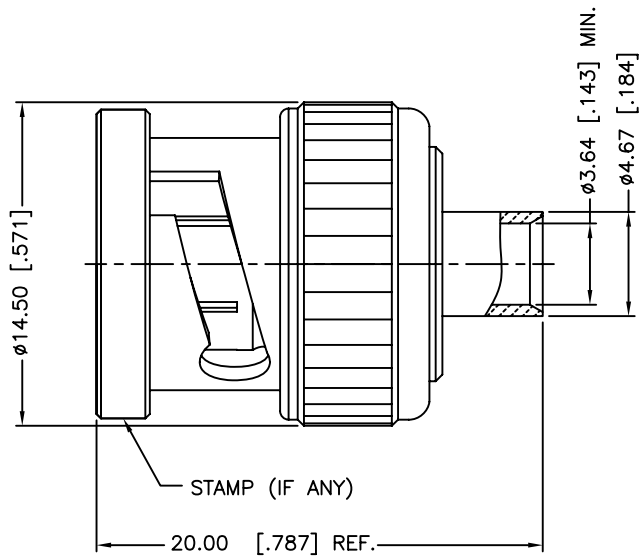


REV.	DATE	ECR NO.	DESCRIPTION
A	07/26/99	-	REFORMAT - CHANGE TO NEXCOTE FINISH
B	05/24/00	-	MODIFY PLATING / ADD INSULATOR
C	07/08/04	-	UPDATE CABLE STRIPPING DIMS.
D	07/22/11	2205	CHANGE THE TOTAL LENGTH TO 20 REF



RECOMMENDED  
CABLE STRIPPING DIM'S



1. CRIMPED CONTACT PIN  
HEX. CRIMP SIZE .068"

4	CONTACT PIN	BRASS	GOLD	1
3	INSULATOR	PTFE	NATURAL	1
2	BODY	BRASS	GOLD	1
1	SHELL	BRASS	NICKEL	1
	DESCRIPTION	MATERIAL	FINISH	QTY

UNLESS OTHERWISE SPECIFIED DIMENSIONS ARE IN MILLIMETERS. DIMENSIONS IN [ ] ARE IN INCHES AND FOR CUSTOMER REFERENCE ONLY.

UNLESS OTHERWISE SPECIFIED TOLERANCES FOR MILLIMETERS ARE:  
0.5 - 8mm ± 0.20mm  
8 - 30mm ± 0.40mm  
30 - 120mm ± 0.50mm

UNLESS OTHERWISE SPECIFIED TOLERANCES FOR INCHES ARE:  
.020 - .315 = ± 0.007"  
.315 - 1.180 = ± 0.015"  
1.180 - 4.724 = ± 0.020"

DO NOT SCALE DRAWING

APPROVALS		DATE
DRAWN	M.ZHANG	07/22/11
CHECKED		
ISSUED		
SHEET	1 OF 1	
CAD FILE	C:/CONNEX/112551.DWG	

<b>Amphenol Connex</b>			
PART DESCRIPTION			
BNC DIRECT SOLDER PLUG (FOR .141" SEMI RIGID CABLE)			
PART NO.			
112551			
DWG. NO.	112551.DWG	REV.	D
SIZE	A	SCALE	NA

# Mouser Electronics

Authorized Distributor

Click to View Pricing, Inventory, Delivery & Lifecycle Information:

[Amphenol:](#)

[112551](#)