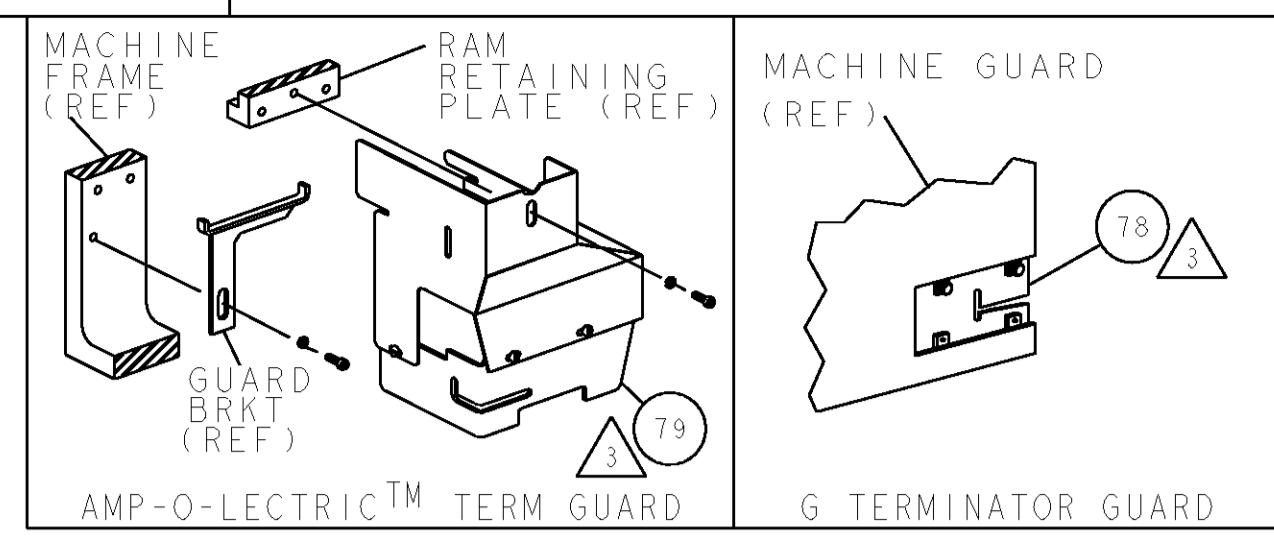


PART NUMBER	REV	FIRST USED	POWER UNIT	FEED TYPE
1852825-1	A	122500-1	LEADMAKER & BENCH MODEL G	AIR FEED
1852825-2	A	565435-5	BENCH MODEL K	AIR FEED
7-1852825-7	A	-	SPARE PARTS	-

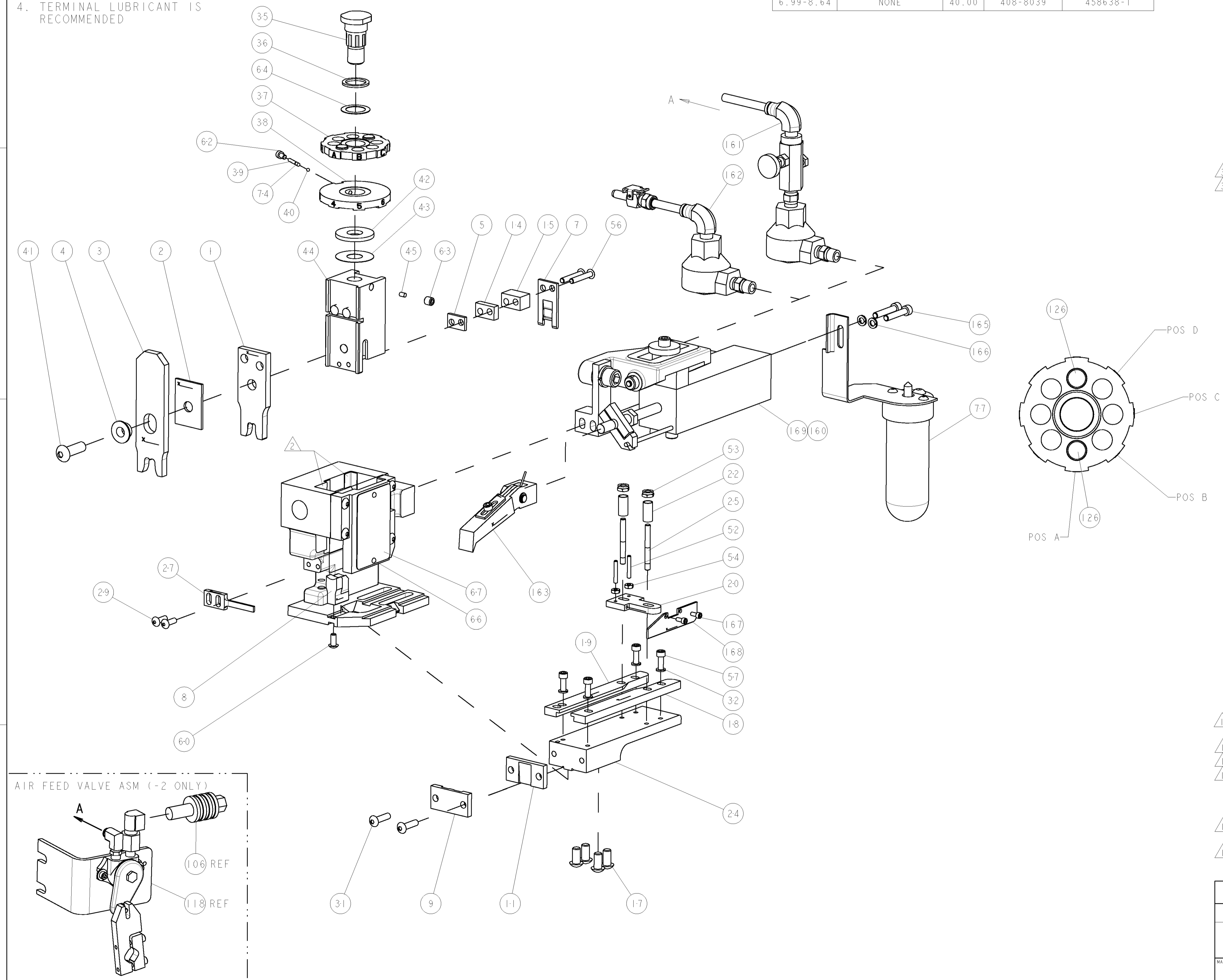
- 1 RECOMMENDED SPARE PARTS
- 2 GREASE LIGHTLY
- 3 GUARD MUST BE IN PLACE WHEN OPERATING APPLICATOR IN A BENCH MACHINE

4. TERMINAL LUBRICANT IS RECOMMENDED



TERMINAL NAME: RING TERMINAL				
TE PN	MANUF PN	FUSELINK TERMINAL - TE CRIMP SPECS		
1949902	110653-AK02			
		PAD LTR	CRIMP HEIGHT	WIRE SIZE
		A	4.61±0.07mm [.182±.003]	(2) 12AWG
		B	-	-
		C	-	-
		D	-	-
		CRIMP	SIZE	TYPE
		WIRE	7.62mm [.300]	F
		INSUL	10.67mm [.420]	F
				Ø8.1mm or 2X 4.5mm MAX
WIRE STRIP LENGTH	TERM APPL SPEC	FEED	APPL INSTRUCTIONS	SET UP GAGE
6.99-8.64	NONE	40.00	408-8039	458638-1

LOC	DIST	REVISIONS			
A	66	P LTR	DESCRIPTION	DATE	DWN
		A	RELEASED	13MAY2009	MEH



-	-	1	-	1-460277-9	AIR FEED ASSY	169
-	-	1	1	1-464452-4	DRAG, STOCK	168
-	2	2	-	1-21000-3	SCR, SKT HD CAP 4-40 X .250	167
-	2	2	-	21024-5	WASHER, SPRG LOCK, REG NO 10	166
-	2	2	-	3-21000-9	SCR, SKT HD CAP 10-32 X 1.000	165
-	1	1	-	460680-1	FEED FINGER ASSEMBLY	163
-	-	1	-	692655-7	AIR FEED VALVE ASSEMBLY	162
-	1	-	-	692655-5	AIR FEED VALVE ASSEMBLY	161
-	1	-	-	1-460277-5	AIR FEED ASSY	160
-	2	2	-	8-354778-3	PIN, WIRE DISC, .2910	126
-	REF	-	-	692655-6	AIR FEED VALVE ASSEMBLY	118
-	REF	-	-	24042-2	VALVE, SHUT-OFF	106
-	REF	-	-	455745-1	GUARD WINDOW	79
-	-	REF	-	679532-1	INSERT, GUARD	78
-	1	-	-	465184-9	LUBRICATOR ASSY	77
-	1	1	-	690603-1	SPRING ASSIST AMP-O-MATOR APPLICATOR	74
-	1	1	-	217238-1	GENERAL INSTRUCTION PKG	72
-	1	1	-	4088039	EF APPL INST 408-8039	71
-	1	1	-	461264-5	PLATE, IDENTIFICATION	67
-	2	2	-	21017-2	SCREW, DRIVE	66
-	1	1	-	986950-1	WASHER, FLAT PRECISION	64
-	1	1	-	21009-2	SCR, SET, SELF LOCKING 1/4-20 X .250	63
-	1	1	-	23030-1	SCR, SKT HD CAP 6-32 X .25	62
-	1	1	-	22733-8	SCR, BHSC, SELF-LOCKING, 8-32 X .375	60
-	4	4	-	2-21000-7	SCR, SKT HD CAP 8-32 X .500	57
-	2	2	-	8-21002-9	SCR, BTN SKT HD CAP 8-32 X 1.00	56
-	2	2	-	21018-4	NUT, HEX, REG 4-40	54
-	2	2	-	21022-2	NUT, LOCK, HEX, TORQUE, 8-32	53
-	2	2	-	4-21078-8	SET SCREW, SOCKET HD, OVAL POINT	52
-	1	1	-	1633570-4	SUB ASSY, APPLICATOR FRAME	46
-	1	1	-	690191-1	PLUG, NYLON	45
-	1	1	-	1338281-7	RAM	44
-	1	1	-	690125-1	SHIM SUB-ASSY	43
-	1	1	-	690124-1	WASHER, RAM (.115)	42
-	1	1	-	7-21002-9	SCR, BTN SKT HD CAP 5/16-24 X 1.00	41
-	1	1	-	23241-6	BALL, STEEL	40
-	1	1	-	690170-1	SPRING, COMPRESSION	39
-	1	1	-	690142-1	DISC, INSULATION	38
-	1	1	-	354777-1	WIRE DISC, ASSEMBLY	37
-	1	1	-	22480-5	SPRING, COMPRESSION	36
-	1	1	-	690212-1	POST, RAM	35
-	4	4	-	21024-4	WASHER, SPRG LOCK, REG NO 8	32
-	2	2	-	2-21002-9	SCR, BTN SKT HD CAP 10-32 X .750	31
-	2	2	-	2-21002-2	SCR, BTN SKT HD CAP 8-32 X .500	29
-	1	1	-	468281-5	STRIPPER	27
-	2	2	-	22354-8	STUD, THREADED	25
-	1	1	-	455678-1	PLATE, STRIP GUIDE	24
-	2	2	-	22281-9	SPRING, COMPRESSION	22
-	1	1	-	464451-1	ARM, STOCK DRAG	20
-	1	1	-	5-458030-8	STRIP GUIDE, REAR	19
-	1	1	-	5-458031-9	STRIP GUIDE, FRONT	18
-	4	4	-	3-21002-3	SCR, BTN SKT HD CAP 1/4-20 X .500	17
-	1	1	-	2-240641-6	SPACER	15
-	1	1	-	1-240641-8	SPACER	14
-	1	1	-	240644-1	PLATE, REAR SHEAR	11
-	-	-	-	-	-	10
-	1	1	-	690482-4	PLATE, FRONT SHEAR	9
-	1	1	-	1633760-3	ANVIL, COMBINATION	8
-	1	1	-	1-690474-7	BLADE, SLUG	7
-	-	-	-	-	-	6
-	1	1	-	1338708-1	SPACER, SLUG BLADE	5
-	1	1	-	3-238009-6	BLOCK, FL CRIMPER SPACER	4
-	1	1	-	4-1633511-9	CRIMPER, INSULATION F	3
-	1	1	-	1-455888-7	SPACER, CRIMPER	2
-	1	1	-	6-1633588-7	CRIMPER, WIRE	1

DIMENSIONS:		TOLERANCES UNLESS OTHERWISE SPECIFIED:		DRAWN		DATE	
INCHES		9 PLC	±	DM	HERR	09APR2009	
Ø		1 PLC	±0.1	CHK	G. BAILEY	09APR2009	
H		3 PLC	±0.01	APVD	N. DEMING	09APR2009	
L		4 PLC	±0.001	NAME			
ANGLES				END FEED HDM APPLICATOR			
FINISH				PRODUCT SPEC		-	
MATERIAL				APPLICATION SPEC		-	
WEIGHT				SIZE		CAGE CODE	
CUSTOMER DRAWING				A1		00779	
SCALE		3:5		DRAWING NO		C=1852825	
SHEET		1		RESTRICTED TO		-	
REV		A		Tyco Electronics Harrisburg, PA 17105-3608			

# Mouser Electronics

Authorized Distributor

Click to View Pricing, Inventory, Delivery & Lifecycle Information:

[TE Connectivity:](#)

[1852825-1](#)