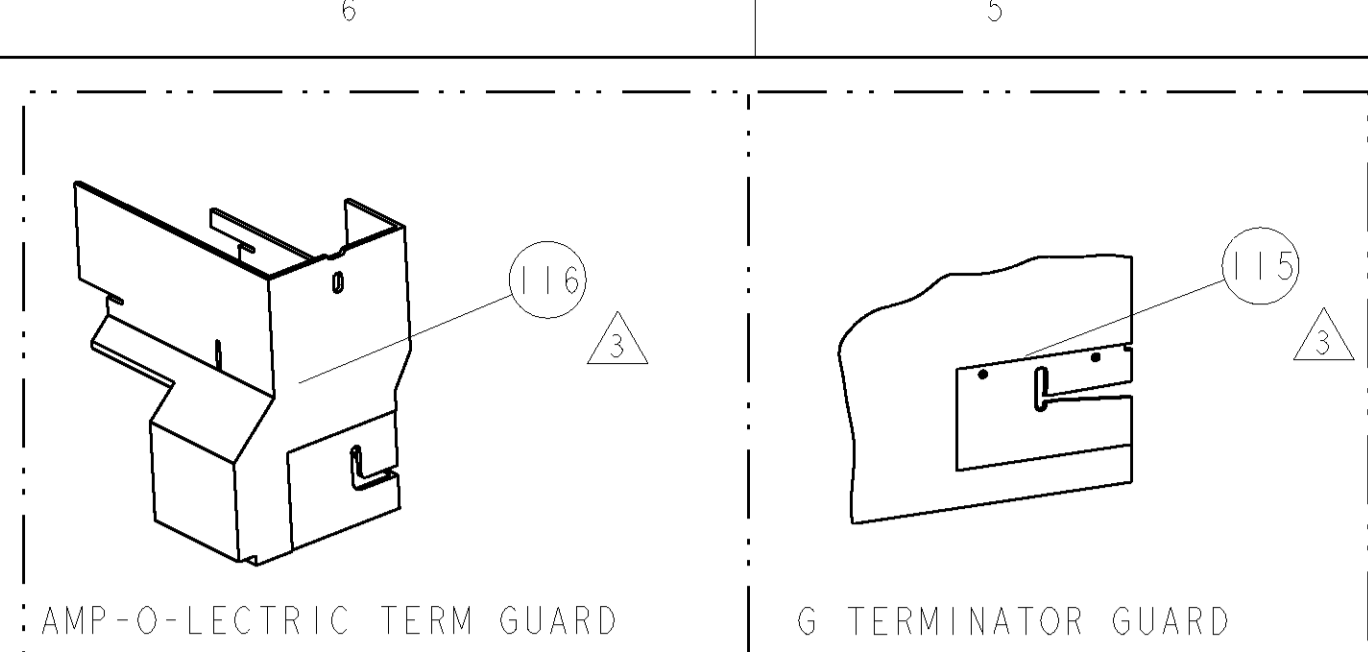


PART NUMBER	REV	FIRST USED	POWER UNIT	FEED TYPE	DESCRIPTION
1855491-1	A	122500-1	LEADMAKER	AIR FEED	CUTS CARRIER
1855491-2	A	565435-5	BENCH MODEL K	AIR FEED	CUTS CARRIER
1855491-3	A	354500-1	BENCH MODEL G	AIR FEED	CUTS CARRIER
1855491-6	A	122500-1	LEADMAKER	AIR FEED	CONTINUOUS CARRIER
7-1855491-7	A	-	-	-	SPARE PARTS

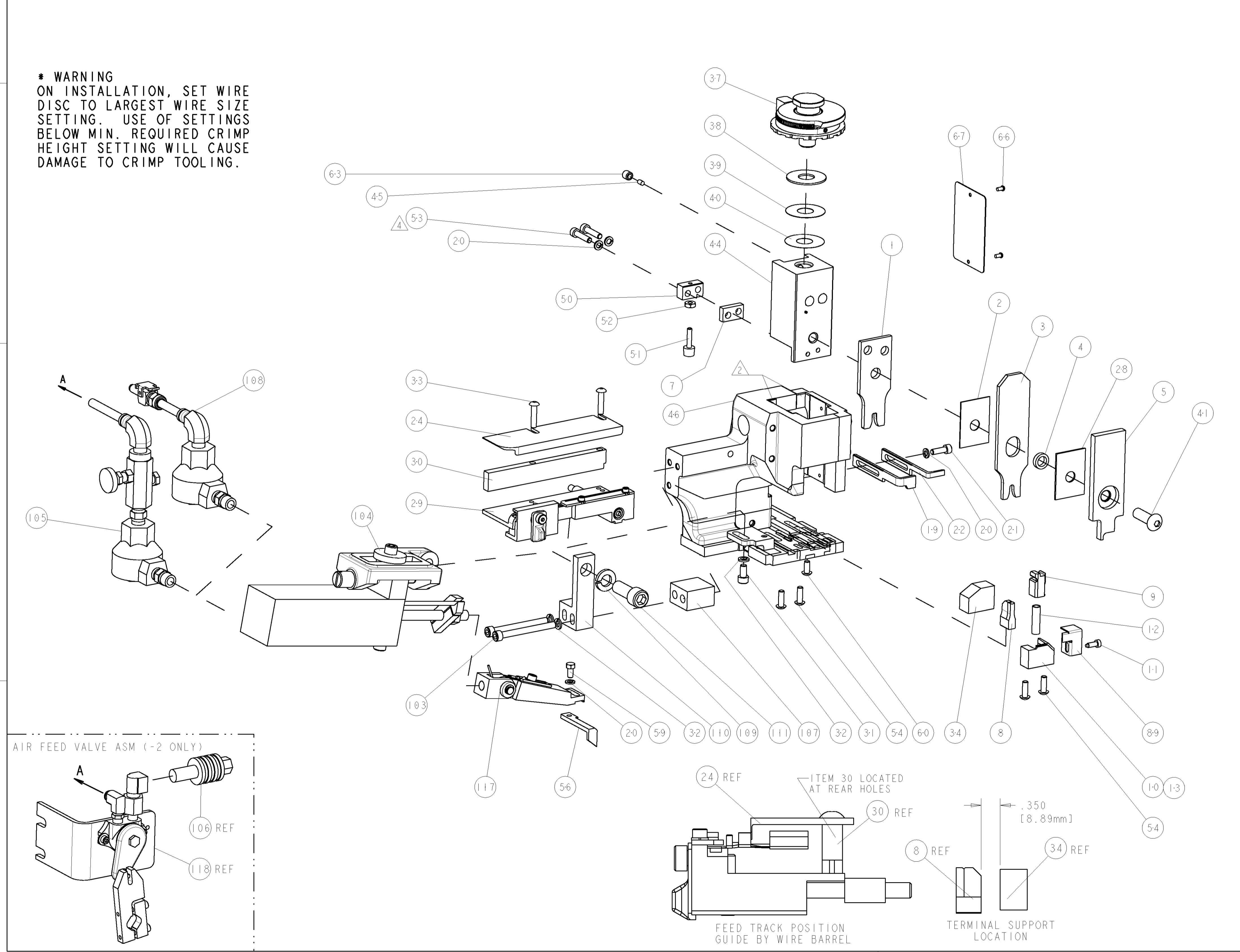


TERMINAL NAME: FASTON					
TE PN	MOLEX	MOLEX TERMINAL - TE CRIMP SPECS		REF SETTING	
1949012	33061-0001				
-	-	CRIMP HEIGHT	WIRE SIZE		
-	FORD PN	2.08mm+.05/-.05 [.082+.002/- .002]	14AWG	C0	
-	F65B-14474-HA	1.91mm+.05/- .05 [.075+.002/- .002]	16AWG	D2	
-	-	-	-	-	
-	-	CRIMP	SIZE	TYPE	RANGE
-	-	-	-	-	-
-	-	WIRE	3.56mm [.140]	F	14-16 AWG
-	-	INSUL	3.81mm [.150]	O	Ø 3.560 MAX
WIRE STRIP LENGTH	TERM APPL SPEC	FEED	APPLICATOR INSTRUCTIONS		SET UP GAGE
4.76-5.14	TE	29.97	408-8040		458637-1

LOC	DIST	REVISIONS				
A	66	P LTR	DESCRIPTION	DATE	DWN	APVD
		A	RELEASED	27MAR2009	BH	BH

- △ RECOMMENDED SPARE PARTS
- △ GREASE LIGHTLY
- △ GUARD MUST BE IN PLACE WHEN OPERATING APPLICATOR IN A BENCH MACHINE
- △ CUT TO LENGTH AT ASSEMBLY.

*** WARNING**
ON INSTALLATION, SET WIRE DISC TO LARGEST WIRE SIZE SETTING. USE OF SETTINGS BELOW MIN. REQUIRED CRIMP HEIGHT SETTING WILL CAUSE DAMAGE TO CRIMP TOOLING.



-	-	-	REF	-	-	692655-6	AIR FEED VALVE ASSEMBLY	118
-	-	-	REF	-	-	461062-1	FEED FINGER ASSEMBLY	117
-	-	-	REF	-	-	455749-1	GUARD WINDOW	116
-	-	-	REF	-	-	679532-1	INSERT, GUARD	115
△	-	-	-	-	-	3-21001-5	SCR, SKT HD CAP 3/8-16 X 1.000	111
△	-	-	-	-	-	459610-3	MOUNT, FEED BRACKET	110
-	-	-	-	-	-	21024-8	WASHER, SPRG LOCK, REG 3/8	109
-	-	-	-	-	-	692655-7	AIR FEED VALVE ASSEMBLY	108
-	-	-	-	-	-	461690-1	SPACER, AIR FEED	107
-	-	-	REF	-	-	24024-2	VALVE, SHUT OFF	106
-	-	-	-	-	-	692655-5	AIR FEED VALVE ASSEMBLY	105
-	-	-	-	-	-	461065-2	ASSEMBLY, AIR FEED	104
-	2	2	2	2	-	4-21000-3	SCR, SKT HD CAP 10-32 X 2.000	103
-	-	-	-	-	-	318563-1	GUARD, FRONT CHIP	89
-	-	-	-	-	-	4088040	SF APPL INST 408-8040	72
-	-	-	-	-	-	217238-1	GENERAL INSTRUCTION PKG	71
-	-	-	-	-	-	461264-5	PLATE, IDENTIFICATION	67
-	2	2	2	2	-	21017-2	SCREW, DRIVE	66
-	-	-	-	-	-	21009-2	SCR, SET, SELF LOCKING 1/4-20 X .250	63
-	-	-	-	-	-	22733-8	SCR, BHSC, SELF-LOCKING, 8-32 X .375	60
-	-	-	-	-	-	2-22603-0	SCR, HEX HD CAP 8-32 X .312	59
-	-	-	-	-	-	1-694433-6	FEED PAWL	56
-	4	4	4	4	-	2-21002-2	SCR, BTN SKT HD CAP 8-32 X .500	54
-	2	2	2	2	-	2-21000-9	SCR, SKT HD CAP 8-32 X .750	53
-	-	-	-	-	-	21018-5	NUT, HEX, REG 6-32	52
-	-	-	-	-	-	811242-7	BUMPER, HOLD DOWN	51
-	-	-	-	-	-	690753-1	SPACER, TONKER	50
-	-	-	-	-	-	1633399-1	APPL. BASIC AIR FEED SUB ASSY	46
-	-	-	-	-	-	690191-1	PLUG, NYLON	45
-	-	-	-	-	-	1-455673-4	RAM, SIDE FEED	44
-	-	-	-	-	-	7-21002-9	SCR, BTN SKT HD CAP 5/16-24 X 1.00	41
-	-	-	-	-	-	469367-2	SHIM	40
-	-	-	-	-	-	690125-1	SHIM SUB-ASSY	39
-	-	-	-	-	-	1-469367-1	SHIM	38
-	-	-	-	-	-	879103-2	FINE ADJUST HEAD ASSEMBLY	37
-	-	-	-	-	-	690786-6	TERMINAL SUPPORT	34
-	2	2	2	2	-	2-21002-4	SCR, BTN SKT HD CAP 8-32 X .750	33
-	3	3	3	3	-	21024-5	WASHER, SPRG LOCK, REG NO 10	32
-	-	-	-	-	-	3-21000-4	SCR, SKT HD CAP 10-32 X .375	31
-	-	-	-	-	-	1-1320908-2	SPACER, STRIP GUIDE	30
-	-	-	-	-	-	1-1633091-2	ASSEMBLY, STRIP GUIDE	29
-	-	-	-	-	-	1-455888-0	SPACER, CRIMPER	28
-	-	-	-	-	-	1320928-2	PLATE, STRIP GUIDE	24
-	-	-	-	-	-	690472-2	STRIPPER	22
-	-	-	-	-	-	2-21000-7	SCR, SKT HD CAP 8-32 X .500	21
-	4	4	4	4	-	21024-4	WASHER, SPRG LOCK, REG NO 8	20
-	-	-	-	-	-	691353-1	STRIPPER	19
△	-	-	-	-	-	679625-1	SHEAR HOLDER, FRONT (NO CUT)	13
△	-	-	-	-	-	3-22280-3	SPRING, COMPRESSION	12
△	-	-	-	-	-	690461-1	STOP, SHEAR	11
△	-	-	-	-	-	690459-1	SHEAR HOLDER, FRONT	10
△	-	-	-	-	-	454276-1	FLOATING SHEAR, FRONT	9
△	-	-	-	-	-	1633115-5	ANVIL, COMBINATION .140	8
△	-	-	-	-	-	240641-3	SPACER	7
-	-	-	-	-	-	-	-	6
△	-	-	-	-	-	2-455889-0	DEPRESSOR, SHEAR	5
△	-	-	-	-	-	238011-2	BLOCK, CRIMPER SPACER	4
△	-	-	-	-	-	1-904741-3	CRIMPER, INSUL O PREMIUM	3
△	-	-	-	-	-	455888-5	SPACER, CRIMPER	2
△	-	-	-	-	-	2-456411-2	CRIMPER, WIRE PREMIUM	1

INCHES	TOLERANCES UNLESS OTHERWISE SPECIFIED:	DWG	DATE	BY	CHKD	DATE	APPD	DATE
0 PLC	± .001	B. HIGMAN	04MAR2009					
1 PLC	± .01	T. ELBIN	04MAR2009					
2 PLC	± .05							
3 PLC	± .001							
4 PLC	± .0001							
ANGLES	± .0001							

Mouser Electronics

Authorized Distributor

Click to View Pricing, Inventory, Delivery & Lifecycle Information:

[TE Connectivity:](#)

[1855491-3](#)