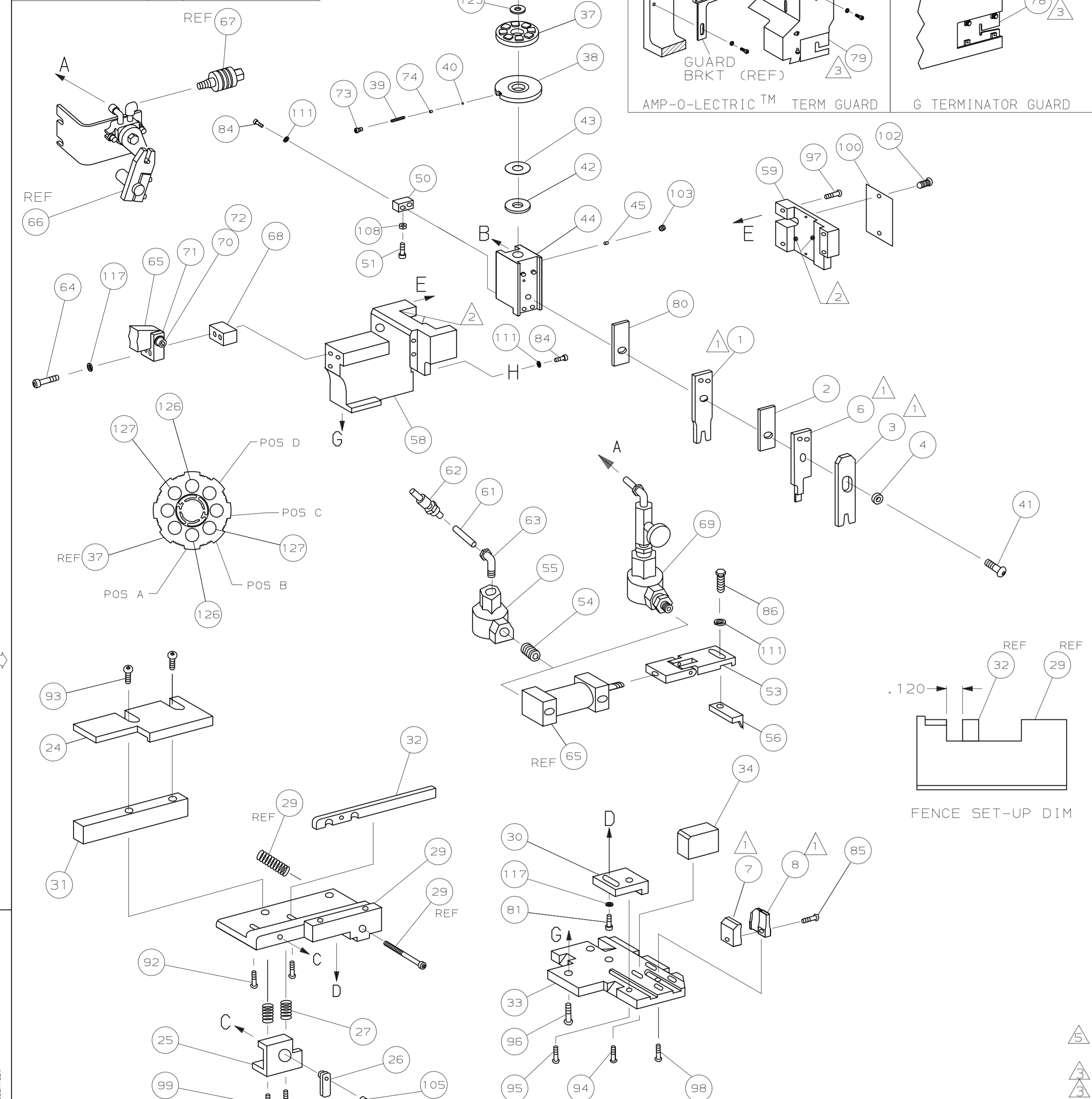
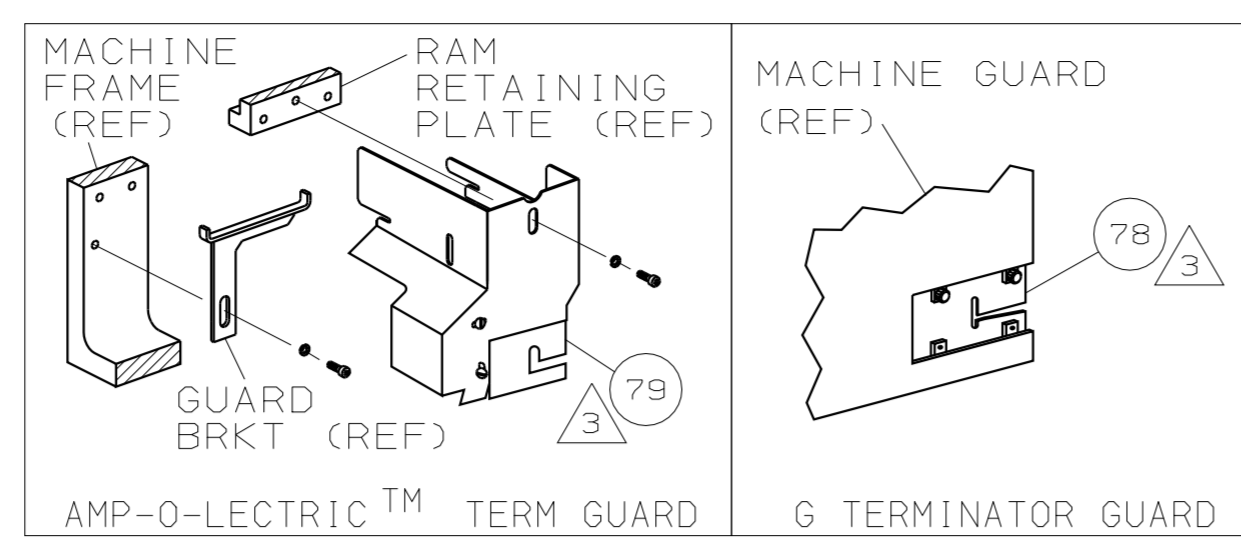


PART NUMBER	REV	FIRST USED
1852118-1	A	122500-1
1852118-2	A	565435-5
1852118-3	A	354500-1

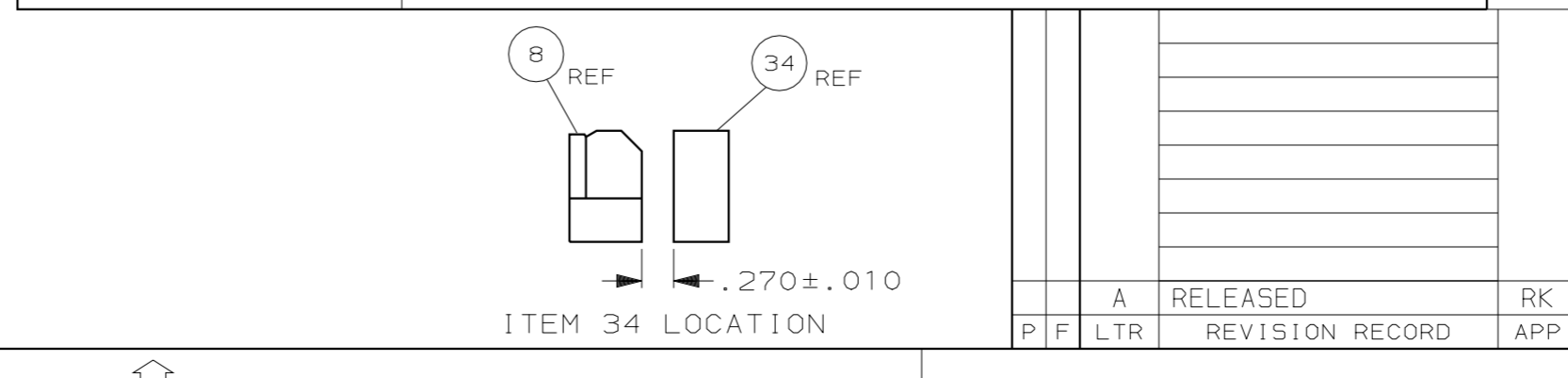


- 1 RECOMMENDED SPARE PARTS.
- 2 GREASE LIGHTLY.
- 3 GUARD MUST BE IN PLACE WHEN OPERATING APPLICATOR IN A BENCH MACHINE.
- 4 SEE DRAWING FOR COMPONENTS
- 5 CUT TO LENGTH AT ASSY
- 6 ADJUST FEED TO CRIMP EVERY SECOND OR THIRD TERMINAL AS REQUIRED.



AMP TERM PN	MFR TERM PN	PACKARD TERMINAL	AMP CRIMP SPECS
1572765	12020337		
		PAD LTR	CRIMP HEIGHT
		A	.094 ±.002 [2.39 ±0.05mm]
		B	.077 ±.002 [1.96 ±0.05mm]
		C	NOT USED
		D	NOT USED
		CRIMP SIZE	TYPE
		WIRE	.145 [3.68mm]
		INSUL	.210 [5.33mm]
			φ.200 MAX
WIRE STRIP LENGTH	TERM APPL SPEC	FEED	APPL INSTRUCTION
.353-.368	NONE	1.181/1.772	408-8040
			SET UP GAGE
			LAYOUT

QTY	REQD	PER	ASSY	PART NO	DESCRIPTION	ITEM NO	
						129	
						128	
2	2	2	-	C	9-354778-9	PIN, WIRE DISC (.2990)B	127
2	2	2	-	C	6-354778-1	PIN, WIRE DISC (.2800)A	126
1	1	1	-	A	986950-1	WASHER, FLAT PRECISION	125
1	1	1	-	A	217238-1	GENERAL INSTRUCTION PACKAGE	124
1	1	1	-	-	4088040	SF APPL INST 408-8040	123
						122	
						121	
						120	
						119	
						118	
3	3	3	-	A	21024-5	WASHER, LOCK (#10) ADJ BLOCK	117
						116	
						115	
						114	
						113	
						112	
4	4	4	-	A	21024-4	WASHER, LOCK (#8) STRIPPER	111
						110	
						109	
1	1	1	-	A	21018-5	NUT, HEX (NO. 6) HOLDDOWN	108
						107	
						106	
1	1	1	-	A	22353-8	SCR, SHLD (φ.187x.25) DRAG LEVER	105
						104	
1	1	1	-	A	21009-2	SCR, SKT SET (1/4-20x.25 LW) RAM	103
2	2	2	-	A	21017-2	SCR, DRIVE (#2x.19) ID PLATE	102
						101	
1	1	1	-	B	461264-1	PLATE, IDENTIFICATION	100
2	2	2	-	A	3-21002-0	SCR, BHC (10-32x.88) DRAG	99
1	1	1	-	A	22733-8	SCR, BHC (8-32x.38 LW) ANVIL	98
4	4	4	-	A	2-21002-9	SCR, BHC (10-32x.75) CAP	97
3	3	3	-	A	2-22733-8	SCR, BHC (1/4-20x.62) HSG	96
1	1	1	-	A	2-21002-7	SCR, BHC (10-32x.50) SG ADJ BLK	95
2	2	2	-	A	2-21002-2	SCR, BHC (8-32x.50) TERM H DWN	94
2	2	2	-	A	2-21002-4	SCR, BHC (8-32x.75) R STP GDE	93
2	2	2	-	A	1-21002-4	SCR, BHC (4-40x.38) R STP GDE	92
						91	
						90	
						89	
						88	
						87	
1	1	1	-	A	2-22603-1	SCR, HEX HD (8-32x.38) FEED FINGER	86
1	1	1	-	A	2-21000-8	SCR, SHC (8-32x.62) SHEAR	85
3	3	3	-	A	2-21000-7	SCR, SHC (8-32x.50) STRIPPER	84
						83	
						82	
1	1	1	-	A	3-21000-4	SCR, SHC (10-32x.38) SG ADJ BL	81
1	1	1	-	C	455888-3	SPACER, CRIMPER	80
-	1	-	-	B	462992-7	GUARD ASSY	79
REF	-	-	-	B	679532-1	INSERT, GUARD	78
						77	
						76	
						75	
1	1	1	-	A	690603-1	SPRING, ASSIST	74
1	1	1	-	A	23030-1	SCR, SHC (6-32x.25 SL) INS DISC	73
1	1	1	-	A	4-21002-8	SCR, BHC (3/8x1.00) FEED MT	72
1	1	1	-	B	459610-3	MOUNT, FEED BRACKET	71
-3	-2	-1	U/M	DWG SIZE	PART NO	DESCRIPTION	ITEM NO
QTY REQD PER ASSY							



QTY	REQD	PER	ASSY	PART NO	DESCRIPTION	ITEM NO	
-1					LEADMAKER	AIRFEED	
-2					BENCH MODEL K	AIRFEED	
-3					BENCH MODEL G	AIRFEED	
1	1	1	-	A	21024-8	WASHER, LOCK (3/8) FEED BRKT	70
-	1	-	-	C	692655-5	AIR FEED VALVE ASSY	69
1	1	1	-	A	461690-1	SPACER, AIR FEED	68
-	REF	-	-	A	24042-2	VALVE, SHUT OFF	67
-	REF	-	-	C	692655-6	AIR FEED VALVE ASSY	66
1	1	1	-	B	461065-2	AIR FEED ASSY (2 INCH)	65
2	2	2	-	A	4-21000-3	SCR, SHC (10-32x2.00) AIR ASSY	64
1	-	1	-	A	980285-2	ELBOW, SWIVEL 1/8 NPT - 1/4 T	63
1	-	1	-	A	23238-1	QUICK DISCONNECT	62
21.00	-	21.00	IN	A	27319-4	TUBING, POLY-FLO φ.25	61
						60	
1	1	1	-	C	454220-1	CAP, RAM	59
1	1	1	-	D	454485-1	HOUSING	58
						57	
1	1	1	-	B	4-694433-7	PAWL, FEED	56
1	-	1	-	A	22374-7	VALVE, QUICK EXHAUST	55
1	-	1	-	A	22304-1	NIPPLE, HEX	54
1	1	1	-	B	461062-1	FEED FINGER ASSY	53
						52	
1	1	1	-	A	811242-2	BUMPER, HOLDDOWN	51
1	1	1	-	A	690753-1	SPACER, TONKER	50
						49	
						48	
						47	
						46	
1	1	1	-	A	690191-1	PLUG, NYLON	45
1	1	1	-	C	1-819307-1	RAM	44
1	1	1	-	A	690125-1	WASHER, LAMINATED	43
1	1	1	-	A	690124-1	WASHER, RAM	42
1	1	1	-	A	690686-2	BOLT, CRIMPER (5/16x1.00)	41
1	1	1	-	A	23241-6	BALL, STEEL	40
1	1	1	-	A	690170-1	SPRING, COMPRESSION	39
1	1	1	-	C	1-690142-1	DISC, INSULATION	38
1	1	1	-	D	354777-1	DISC, WIRE	37
1	1	1	-	A	22480-5	WASHER, SPRING	36
1	1	1	-	B	690212-1	POST, RAM	35
1	1	1	-	B	690786-3	SUPPORT, TERMINAL	34
1	1	1	-	D	455675-1	PLATE, BASE	33
1	1	1	-	B	189807-9	FENCE	32
1	1	1	-	B	1320908-2	SPACER, STRIP GUIDE	31
1	1	1	-	B	455689-1	BLOCK, STRIP GUIDE ADJ	30
1	1	1	-	C	1633091-6	STRIP GUIDE PLATE ASSY	29
						28	
2	2	2	-	A	1-22284-0	SPRING, DRAG	27
1	1	1	-	B	240793-1	LEVER, DRAG RELEASE	26
1	1	1	-	B	1633337-1	DRAG, TERMINAL	25
1	1	1	-	D	1633333-1	GUIDE, STRIP (REAR)	24
						23	
-	-	1	-	B	690472-2	STRIPPER	22
						21	
						20	
1	1	-	-	B	690472-9	STRIPPER	19
						18	
						17	
						16	
						15	
						14	
						13	
						12	
						11	
1	1	1	-	C	1633339-1	ANVIL	8
1	1	1	-	A	1633124-2	PLATE, REAR SHEAR	7
1	1	1	-	B	1633338-1	BLADE, SLUG	6
						5	
1	1	1	-	B	238009-1	SPACER, BLOCK CRIMPER	4
1	1	1	-	C	8-1213077-6	CRIMPER, INSULATION	3
1	1	1	-	C	455888-9	SPACER, CRIMPER	2
1	1	1	-	C	2-1633305-1	CRIMPER, WIRE	1
-3	-2	-1	U/M	DWG SIZE	PART NO	DESCRIPTION	ITEM NO
QTY REQD PER ASSY							

DIMENSIONS IN INCHES. DO NOT SCALE PRINT. TOLERANCES UNLESS OTHERWISE SPECIFIED:

2 PLC DEC ±.02  
3 PLC DEC ±.01  
4 PLC DEC ±.005

ANGLES ± -  
SURF TEXTURE: ✓  
REMOVE BURRS, BREAK SHARP EDGES R.015 MAX

MATL - HT TR - FIN -

DR R. KNEPPER 09SEP05 APP T. ELBIN 09SEP05  
CHK 06OCT05 REL 06OCT05 R. KNEPPER

AMP Tyco Electronics Harrisburg, PA 17105-3608

NAME SIDE FEED HDM APPLICATOR MACHINE REF  
SCALE - DWG NO 1852118 SHEET 1 OF 1 REV A

RELEASED REVISION RECORD RK OCT05 DATE

CAGE CODE 00779 CUSTOMER AND ASSEMBLY DRAWING RESTRICTED TO

THIS DRAWING IS A CONTROLLED DOCUMENT.

RELEASED FOR PUBLICATION OCTOBER 05, 2005  
BY AMP INCORPORATED. ALL RIGHTS RESERVED.

LOC A	LEADMAKER	K TERMINATOR	G TERMINATOR
DIST 66	BENCH MACHINE		

1852118

# Mouser Electronics

Authorized Distributor

Click to View Pricing, Inventory, Delivery & Lifecycle Information:

[TE Connectivity:](#)

[1852118-3](#)