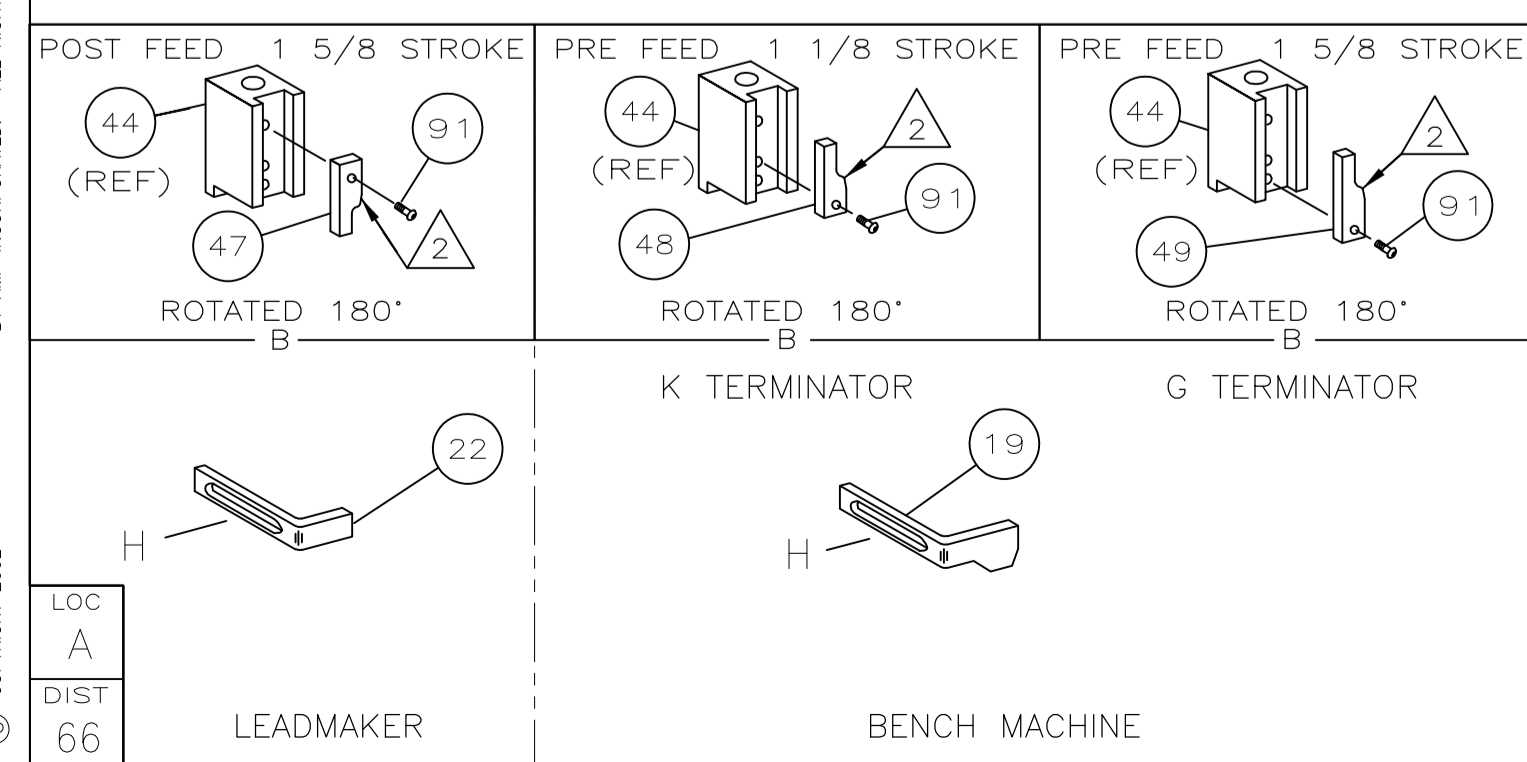
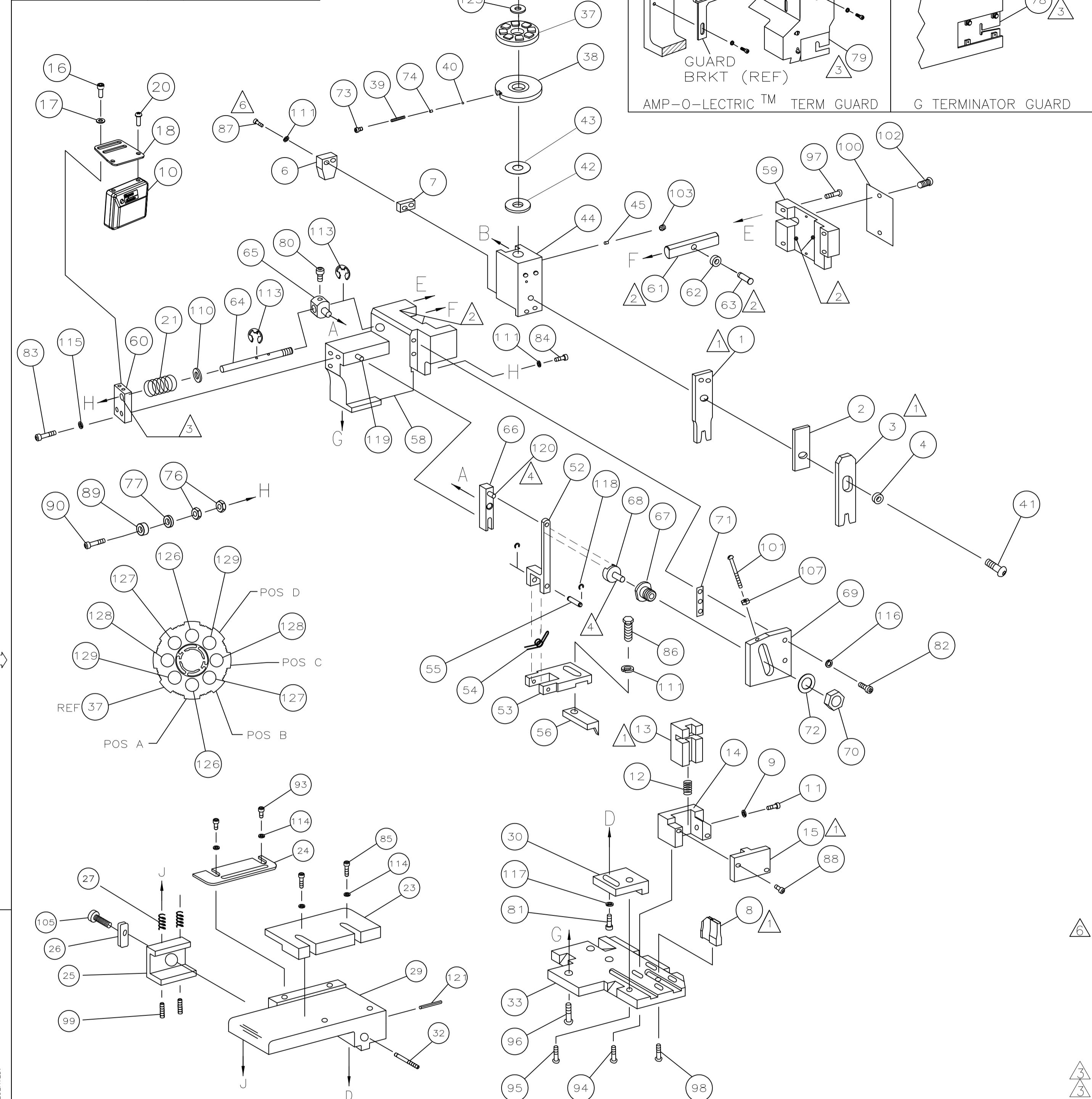


PART NUMBER	REV	FIRST USED
1385459-1	J	122500-1
1385459-2	J	565435-5
1385459-3	J	354500-1



- 1 RECOMMENDED SPARE PARTS.
- 2 GREASE LIGHTLY.
- 3 GUARD MUST BE IN PLACE WHEN OPERATING APPLICATOR IN A BENCH MACHINE.
- 4 LUBRICATE DAILY USING NO. 20 MACHINE OIL.
- 5. ITEMS WITH QTY OF REF SPECIFIED (EXCEPT ITEMS 78 AND 79) ARE USED ON ITEM 46.
- 6 CUT TO LENGTH AT ASSEMBLY.
- 7 16 AWG WIRE SIZE NOT RECOMMENDED BY TERMINAL MANUFACTURER.

TERMINAL NAME: TERMINAL, FEMALE			
AMP TERM PN	MFR TERM PN	DELPHI TERMINAL	CUSTOMER CRIMP SPECS
1572127	02965141		
1572983	02965510		
		PAD LTR	CRIMP HEIGHT
		A	.060 ±.002 [1.52 ±.05mm]
		B	.059 ±.002 [1.50 ±.05mm]
		C	.057 ±.002 [1.45 ±.05mm]
		D	.055 ±.002 [1.40 ±.05mm]
		CRIMP	SIZE
		WIRE	.110 [2.79mm]
		INSUL	.140 [3.56mm]
		FEED	.688
		APPL INSTRUCTION	408-8040
		SET UP GAGE	458637-1
		LAYOUT	L2699

QTY	REF	TERM	APPL	SPEC	FEED	APPL INSTRUCTION	SET UP GAGE	LAYOUT
2	2	2	-	C	3-354779-0	PIN, WIRE DISC (.3140)D		129
2	2	2	-	C	2-354779-8	PIN, WIRE DISC (.3130)C		128
2	2	2	-	C	2-354779-2	PIN, WIRE DISC (.3100)B		127
2	2	2	-	C	2-354779-2	PIN, WIRE DISC (.3100)A		126
1	1	1	-	A	986950-1	WASHER, FLAT PRECISION		125
1	1	1	-	A	217238-1	GENERAL INSTRUCTION PACKAGE		124
1	1	1	-	-	4088040	SF APPL INST 408-8040		123
								122
1	1	1	-	A	4-21028-0	PIN, SLTD SPRG(Ø.094x.75)		121
1	1	1	-	A	1-21030-1	PIN,DOWEL(Ø.187x.50)LEVER		120
1	1	1	-	A	1-21030-6	PIN,DOWEL(Ø.187x1.25)HOUSING		119
2	2	2	-	A	21045-3	RING,RET "C"(Ø.187)FD FING PIN		118
1	1	1	-	A	21024-5	WASHER, LOCK(#10)ADJ BLOCK		117
2	2	2	-	A	21024-5	WASHER,LOCK(#10)ADJ PLATE		116
2	2	2	-	A	21024-5	WASHER,LOCK(#10)FEED GDE ROD		115
4	4	4	-	A	21024-2	WASHER,LOCK(#4)FRONT STP GUIDE		114
2	2	2	-	A	1-21046-6	RING,RETAIN(5/16 EXT)ADJ ROD		113
								112
4	4	4	-	A	21024-4	WASHER,LOCK(#8)STRIPPER		111
1	1	1	-	A	21899-4	WASHER,FLAT(Ø5/16)SCREW ADJ		110
								109
								108
1	1	1	-	A	21068-5	NUT,HEX(6-32)FEED ADJ		107
								106
1	1	1	-	A	22353-8	SCR,SHLD,SLOT HEAD(8-32)		105
								104
1	1	1	-	A	21009-2	SCR,SKT SET(1/4-20x.25 LW)RAM		103
2	2	2	-	A	21017-2	SCR,DRIVE(#2x.19)ID PLATE		102
1	1	1	-	A	6-23715-5	SCR,PAN HD(6-32x1.50)FEED ADJ		101
1	1	1	-	B	461264-1	PLATE, IDENTIFICATION		100
2	2	2	-	A	5-21006-6	SCR,SET (10-32x.75)DRAG		99
1	1	1	-	A	22733-8	SCR,BHC(8-32x.38 LW)ANVIL		98
4	4	4	-	A	2-21002-9	SCR,BHC(10-32x.75)CAP		97
3	3	3	-	A	2-22733-8	SCR,BHC(1/4-20x.62)HOUSING		96
1	1	1	-	A	2-21002-7	SCR,BHC(10-32x.50)SG ADJ BLOCK		95
2	2	2	-	A	2-21002-2	SCR,BHC(8-32x.50)TERM H DWN		94
2	2	2	-	A	1-21000-3	SCR,BHC(4-40x.25)R STP GDE		93
								92
1	1	1	-	A	1-21002-7	SCR,BHC(6-32x.38)CAM		91
1	1	1	-	-	3-21081-3	SCR,SHC(1/4-20x1.25)COUNTER		90
1	1	1	-	-	1804299-1	SPACER, MAGNET		89
2	2	2	-	A	1-21000-9	SCR,SHC(6-32x.38)R SHEAR PLATE		88
2	2	2	-	A	3-21000-0	SCR,SKT CAP (8-32x.81) R DEP		87
1	1	1	-	A	2-22603-0	SCR,HEX HD(8-32x.31)FEED FINGER		86
2	2	2	-	A	1-21000-6	SCR,SHC(4-40x.38)FR ST GUIDE		85
1	1	1	-	A	2-21000-7	SCR,SHC(8-32x.50)STRIPPER		84
2	2	2	-	A	3-21000-7	SCR,SHC(10-32x.75)FEED ROD GD		83
2	2	2	-	A	3-21000-6	SCR,SHC(10-32x.62)FD ADJ BLK		82
1	1	1	-	A	3-21000-4	SCR,SHC(10-32x.38)SG ADJ BL		81
1	1	1	-	A	3-21000-4	SCR,SHC(10-32x.38)PIVOT BLK		80
-	REF	-	-	B	455749-1	GUARD, WINDOW		79
REF	-	-	-	B	679532-1	INSERT, GUARD		78
1	1	1	-	-	1804310-1	MAGNET, RING		77
2	2	2	-	-	22593-1	NUT,HEX JAM(1/4-20)COUNTER		76
								75
1	1	1	-	A	690603-1	SPRING, ASSIST		74
1	1	1	-	A	23030-1	SCR,SHC(6-32x.25 SL)INS DISC		73
1	1	1	-	A	458109-1	WASHER, SPECIAL		72
1	1	1	-	A	690517-1	SPACER		71
-3	-2	-1	U/M	DWG SIZE	PART NO	DESCRIPTION	ITEM NO	

QTY	REF	TERM	APPL	SPEC	FEED	APPL INSTRUCTION	SET UP GAGE	LAYOUT
-1								
-2								
-3								
1	1	1	-	B	22594-8	NUT,HEX(1/2-20)		70
1	1	1	-	B	240628-1	PLATE, ADJUSTMENT		69
1	1	1	-	B	240626-1	SHAFT, PIVOT		68
1	1	1	-	B	240633-1	BUSHING		67
1	1	1	-	A	455680-1	LEVER, INTERMEDIATE		66
1	1	1	-	B	240629-1	BLOCK, PIVOT		65
1	1	1	-	A	1804311-1	SCREW, ADJ FEED ROD		64
1	1	1	-	B	240659-3	PIN, CAM ROLLER		63
1	1	1	-	B	240658-1	ROLLER, CAM		62
1	1	1	-	B	454398-2	ROD, FEED		61
1	1	1	-	A	1804305-2	GUIDE, FEED ROD		60
1	1	1	-	C	454220-1	CAP, RAM		59
1	1	1	-	D	454485-1	HOUSING		58
								57
1	1	1	-	B	3-694433-9	PAWL, FEED		56
1	1	1	-	B	240624-1	PIN, FEED FINGER		55
1	1	1	-	B	691499-1	SPRING, FEED FINGER		54
1	1	1	-	B	690541-1	HOLDER, FEED FINGER		53
1	1	1	-	A	455679-1	LEVER, TERMINAL FEED ARM		52
								51
								50
1	-	-	-	B	690602-6	CAM, PRE-FEED 1 5/8 ST		49
-	1	-	-	B	690602-5	CAM, PRE-FEED 1 1/8 ST		48
-	-	1	-	B	690501-4	CAM, POST-FEED 1 5/8 ST		47
								46
1	1	1	-	A	690191-1	PLUG, NYLON		45
1	1	1	-	C	455673-1	RAM		44
1	1	1	-	A	690125-1	WASHER, LAMINATED		43
1	1	1	-	A	690124-1	WASHER, RAM		42
1	1	1	-	A	7-21002-9	BOLT, CRIMPER(5/16x1.00)		41
1	1	1	-	A	23241-6	BALL, STEEL		40
1	1	1	-	A	690170-1	SPRING, COMPRESSION		39
1	1	1	-	C	690142-1	DISC, INSULATION		38
1	1	1	-	D	354777-1	WIRE DISC, PLASTIC		37
1	1	1	-	A	22480-5	WASHER, SPRING		36
1	1	1	-	B	690212-1	POST, RAM		35
								34
1	1	1	-	D	455675-3	PLATE, BASE		33
1	1	1	-	A	690432-3	ADJUSTMENT SCREW		32
								31
1	1	1	-	B	455689-1	BLOCK, STRIP GUIDE ADJ		30
1	1	1	-	C	1-844048-7	PLATE, STRIP GUIDE		29
								28
2	2	2	-	A	22284-1	SPRING, DRAG		27
1	1	1	-	B	240793-1	LEVER, DRAG RELEASE		26
1	1	1	-	B	1673009-1	DRAG, TERMINAL		25
1	1	1	-	D	690438-4	GUIDE, STRIP (REAR)		24
1	1	1	-	A	3-189124-0	GUIDE, STRIP (FRONT)		23
-	-	1	-	B	690472-2	STRIPPER		22
1	1	1	-	A	4-22284-9	SPRING, FEED RETURN		21
2	2	2	-	-	994991-5	SCR,OVAL HD (M4X12)COUNTER		20
1	1	1	-	B	691353-1	STRIPPER		19
1	1	1	-	-	1804303-1	BRACKET, COUNTER MTG		18
2	2	2	-	-	18028-2	WASHER, FLAT (M4)COUNTER		17
2	2	2	-	-	9-21000-9	SCR,SHC (8-32 x .44)COUNTER		16
1	1	1	-	C	1673256-2	PLATE, SHEAR (REAR)		15
1	1	1	-	C	1673255-1	HOLDER, SHEAR (REAR)		14
1	1	1	-	C	1673257-2	SHEAR, FLOAT (REAR)		13
1	1	1	-	A	3-22280-3	SPRING, SHEAR		12
1	1	1	-	A	1-21000-9	STOP, SHEAR		11
1	1	1	-	-	1804300-1	APPLICATOR COUNTER ASSY		10
1	1	1	-	A	21055-5	WASHER,FLAT (#6) SHEAR STOP		9
1	1	1	-	C	2-662189-9	ANVIL		8
1	1	1	-	C	4-240641-7	SPACER, DEPRESSOR (REAR)		7
1	1	1	-	B	690468-6	DEPRESSOR, SHEAR (REAR)		6
								5
1	1	1	-	B	1-238009-1	SPACER, BLOCK CRIMPER		4
1	1	1	-	C	4-683454-8	CRIMPER, INSULATION		3
1	1	1	-	C	1-455888-0	SPACER, CRIMPER		2
1	1	1	-	C	456408-8	CRIMPER, WIRE		1
-3	-2	-1	U/M	DWG SIZE	PART NO	DESCRIPTION	ITEM NO	

QTY	REF	TERM	APPL
-----	-----	------	------