

# HC-DS-PG11-T


Order No.: 1686779



<http://eshop.phoenixcontact.de/phoenix/treeViewClick.do?UID=1686779>

Pressure screws, with flared cable bending protection, clamping area  
8 mm ... 12 mm, for housings with Pg 11 support

## Commercial data

GTIN (EAN)	 4 017918 235505
Note	Made-to-order
sales group	D092
Pack	10 pcs.
Customs tariff	85369010
Catalog page information	Page 597 (PC-2011)

## Product notes

WEEE/RoHS-compliant since:  
11/01/2005



[http://  
www.download.phoenixcontact.com](http://www.download.phoenixcontact.com)  
Please note that the data given  
here has been taken from the  
online catalog. For comprehensive  
information and data, please refer  
to the user documentation. The  
General Terms and Conditions of  
Use apply to Internet downloads.

## Technical data

### General data

Material, pressure screw	Nickel-plated brass
Thread type connection side 1	Pg11

### Certificates / Approvals



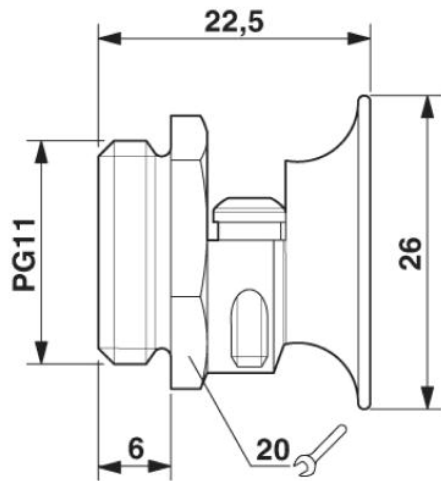
Certification

GOST

---

### Diagrams/Drawings

Dimensioned drawing



**Address**

PHOENIX CONTACT Inc., USA  
586 Fulling Mill Road  
Middletown, PA 17057, USA  
Phone (800) 888-7388  
Fax (717) 944-1625  
<http://www.phoenixcon.com>



© 2011 Phoenix Contact  
Technical modifications reserved;