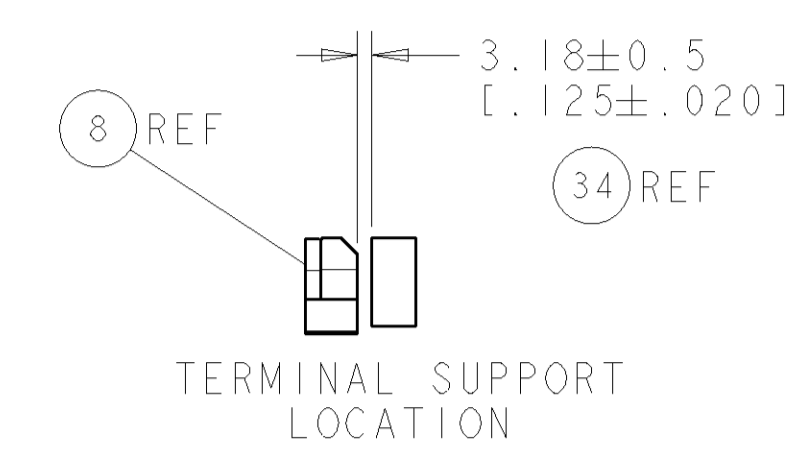
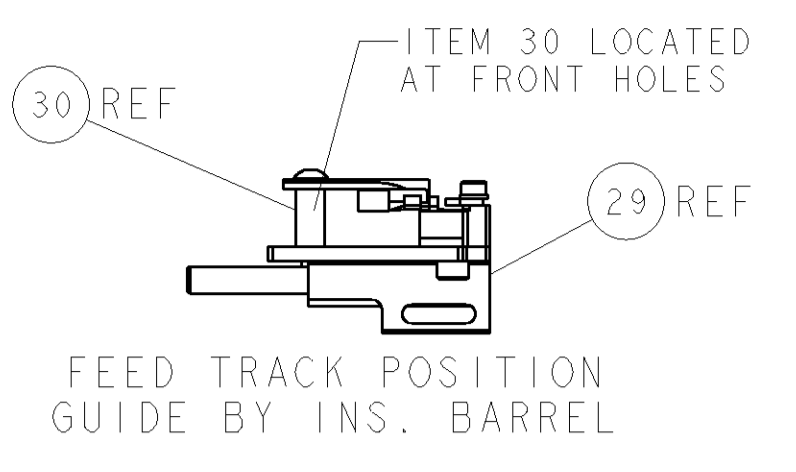
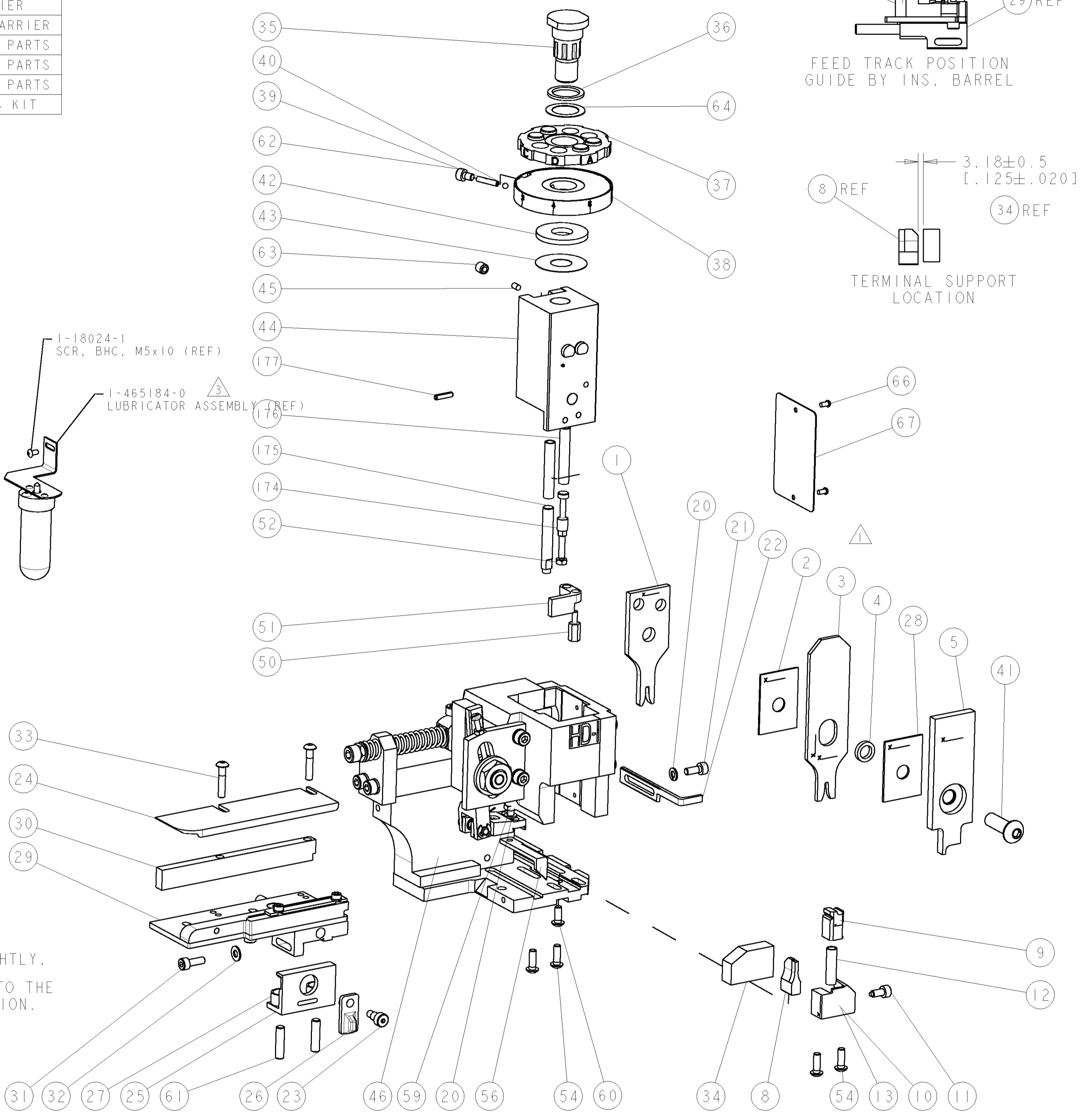
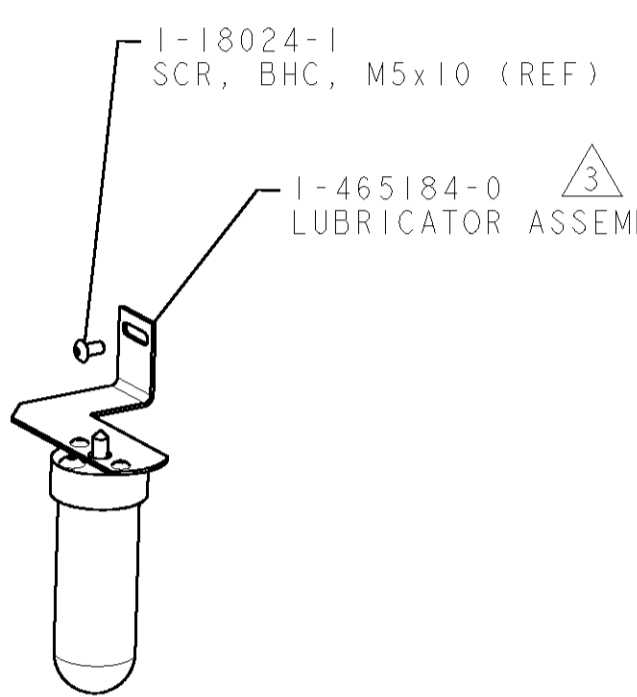


PART NUMBER	REV	TERMINATOR	FEED TYPE	DESCRIPTION
1530115-1	A	LEADMAKER	MECH POST FEED	CUTS CARRIER
1530115-2	A	BENCH	MECH PRE FEED	CUTS CARRIER
1530115-6	A	LEADMAKER	MECH POST FEED	CONTINUOUS CARRIER
7-1530115-1	A	LEADMAKER	MECH POST FEED	-1 AND SPARE PARTS
7-1530115-2	A	BENCH	MECH PRE FEED	-2 AND SPARE PARTS
7-1530115-6	A	LEADMAKER	MECH POST FEED	-6 AND SPARE PARTS
7-1530115-7	A	-	-	SPARE PARTS KIT

CRIMP DATA		MOLEX TERMINAL		FORD CRIMP SPECS	
TERMINAL NAME: TERMINAL, WIRE SNAP-ON FEMALE					
CRIMP	SIZE	TYPE	RANGE		
WIRE	2.01 [1.079 IN]	F	0.50-0.85mm ² or 20-18 AWG		
INSUL	2.29 [1.090 IN]	F	Ø2.4mm MAX		
WIRE STRIP LENGTH 2.00-3.00 [1.078-.118 IN]		APPL INSTRUCTIONS 408-8322			
TERMINAL APPL SPEC		FORD	FEED		19.14 [1.754 IN]
TERMINALS APPLIED					
TE PN	FORD PN				
1949943-1	E7EB-14474-CA				
WIRE SIZE	CRIMP HEIGHT	PINPN & LENGTH [IN]			
0.82mm ² (18AWG)	1.30 ±0.05 [1.051 ±.002 IN]	2-354779-2 [1.3100]			
0.51mm ² (20AWG)	1.20 ±0.05 [1.047 ±.002 IN]	2-354779-9 [1.3135]			



LOC		DIST		REVISONS		DATE	OWN	APVD	
P	LTR	DESCRIPTION	DATE	BH	BH				
A		RELEASED	18MAY2009	BH	BH				
993111-8		PIN, SLOTTED SPRING 3.0 X 12.0						177	
3-22280-7		SPRING, COMPRESSION						176	
1752353-1		GUIDE PIN, HOLDDOWN						175	
1901680-1		GUIDE PIN, HOLDDOWN						174	
1338705-1		DOCUMENTATION PACKAGE						71	
461264-1		PLATE, IDENTIFICATION						67	
21017-2		SCREW, DRIVE						66	
986950-1		WASHER, FLAT PRECISION						64	
3-18031-0		SCR, SET, CUP POINT M6 X 6.0						63	
18023-9		SCR, SKT HD CAP M4 X 6.0						62	
2-18032-5		SCR, SET, FLT POINT M5 X 20.0						61	
18024-7		SCR, BTN SKT HD CAP (M4 X 10.0)						60	
5-18022-2		SCR, HEX HD CAP M4 X 8.0						59	
1338685-1		PAWL, FEED						56	
18024-8		SCR, BTN SKT HD CAP (M4 X 12.0)						54	
1-18030-0		NUT, HEX, REG M3.5						52	
1901681-1		HOLDDOWN, TERMINAL						51	
2-1752354-7		STANDOFF, HOLD-DOWN						50	
18024-3		SCR, BTN SKT HD CAP (M3 X 10.0)						49	
1338675-1		CAM, UNIVERSAL PRE FEED						48	
1338676-1		CAM, UNIVERSAL POST-FEED						47	
1320999-3		APPLICATOR SUBASSEMBLY, HDI						46	
690191-1		PLUG, NYLON						45	
1633724-1		RAM, (SIDE FEED)						44	
690125-1		SHIM SUB-ASSY						43	
690124-1		WASHER, RAM (.115)						42	
2-18024-6		SCR, BTN SKT HD CAP (M8 X 25.0)						41	
23241-1		BALL, STEEL						40	
2-22278-7		SPRING, COMPRESSION						39	
1320922-1		DISC, ADJUST, INSULATION CRIMP						38	
354777-1		WIRE DISC, ASSEMBLY						37	
22480-5		SPRING, COMPRESSION						36	
690212-1		POST, RAM						35	
1752356-1		SUPPORT, TERMINAL						34	
1-18024-0		SCR, BTN SKT HD CAP (M4 X 20.0)						33	
18027-2		WASHER, FLAT, REG M4						32	
1-18023-2		SCR, SKT HD CAP M4 X 12.0						31	
1320908-1		SPACER, STRIP GUIDE						30	
1633073-1		STRIP GUIDE ASSEMBLY						29	
1-455888-0		SPACER, CRIMPER						28	
1-22284-0		SPRING, COMPRESSION						27	
356835-1		LEVER, DRAG RELEASE						26	
240792-1		DRAG, TERMINAL						25	
1320928-1		PLATE, STRIP GUIDE						24	
980371-4		SCR, SKT HD SHLDR 5.0 DIA X 6.0						23	
690472-2		STRIPPER						22	
1-18023-1		SCR, SKT HD CAP M4 X 10.0						21	
18025-2		WASHER, SPRG LOCK, REG M4						20	
690472-1		STRIPPER						19	
1338684-1		SHEAR HOLDER, FRONT						13	
								12	
3-22280-3		SPRING, COMPRESSION						11	
356885-4		STOP, SHEAR						10	
1320921-1		SHEAR HOLDER, FRONT, CUT						9	
462006-7		FLOATING SHEAR, FRONT						8	
1633711-6		ANVIL, COMBINATION						7	
								6	
								5	
2-455889-0		DEPRESSOR, SHEAR						4	
238011-4		BLOCK, CRIMPER SPACER						3	
683453-4		CRIMPER, INSULATION PREMIUM						2	
455888-8		SPACER, CRIMPER						1	
1633588-8		CRIMPER, WIRE							
-77	-76	-72	-71	-6	-2	-1	PART NO	DESCRIPTION	ITEM NO
DIMENSIONS:		TOLERANCES UNLESS OTHERWISE SPECIFIED:		DRAWN		DATE		BY	
mm [IN]		0 PLC ±		B. HIGMAN		26MAR2009		T. ELBIN	
1 PLC ±		1 PLC ±		APVD		26MAR2009		N. DEMING	
2 PLC ±		2 PLC ±		PRODUCT SPEC				SIDE FEED HDI APPLICATOR	
3 PLC ±		3 PLC ±		APPLICATION SPEC				SIZE	
4 PLC ±		4 PLC ±		See Table				CAGE CODE	
ANGLES ±		ANGLES ±		WEIGHT				DRAWING NO	
FINISH		FINISH		CUSTOMER DRAWING				RESTRICTED TO	
						A1		00779	
								C=1530115	
								SCALE	
								3:5	
								SHEET	
								1 OF	
								REV	
								A	

- RECOMMENDED SPARE PARTS.
- GREASE RAM, CAM, CAM FOLLOWER AND FEED ROD LIGHTLY.
- CERTAIN TERMINALS REQUIRE LUBRICATION. REFER TO THE APPLICATOR INSTRUCTION SHEET FOR MORE INFORMATION.
- LUBRICATE DAILY PER THE APPLICATOR INSTRUCTION SHEET SUPPLIED WITH THE APPLICATOR.

