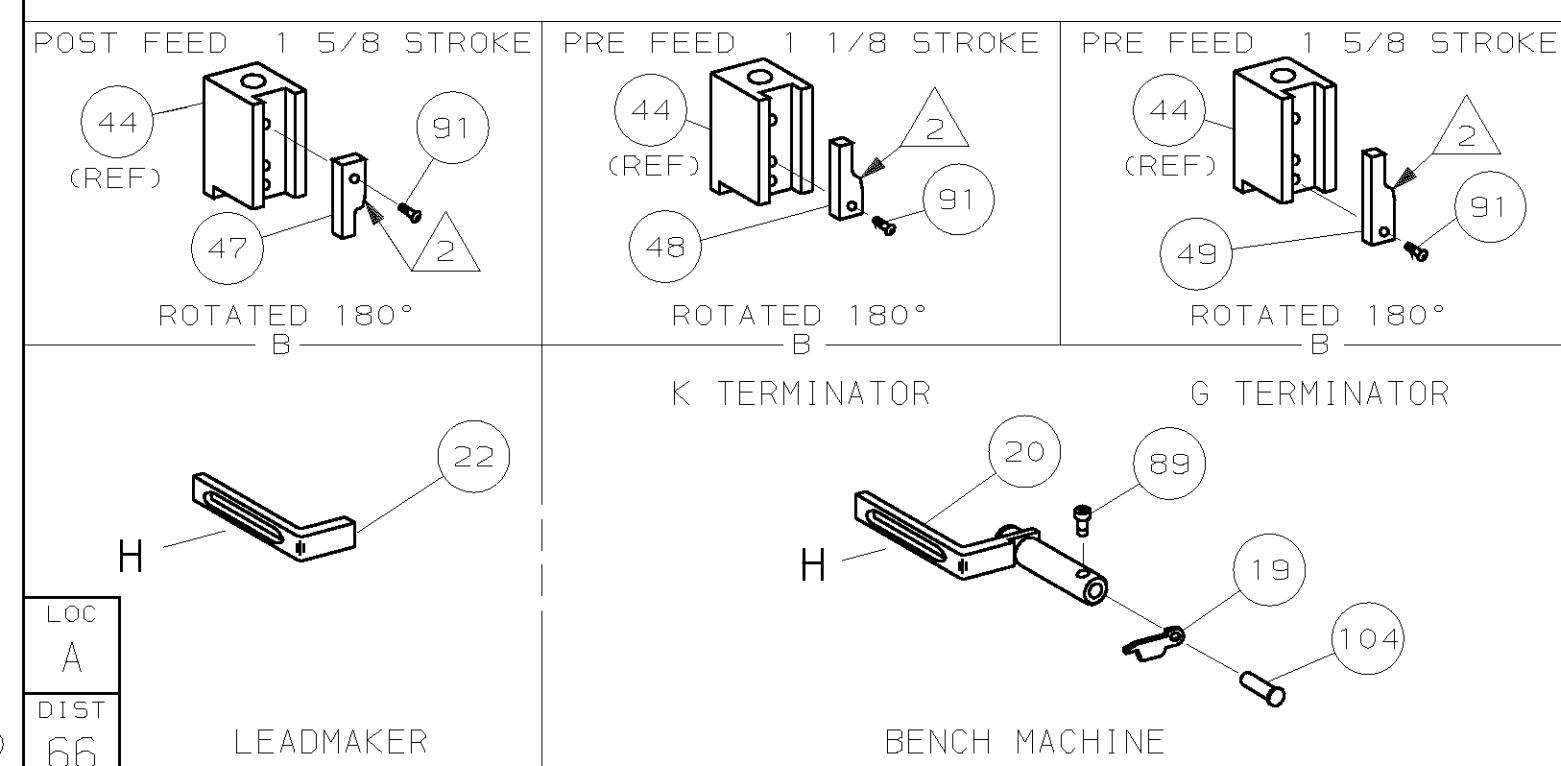
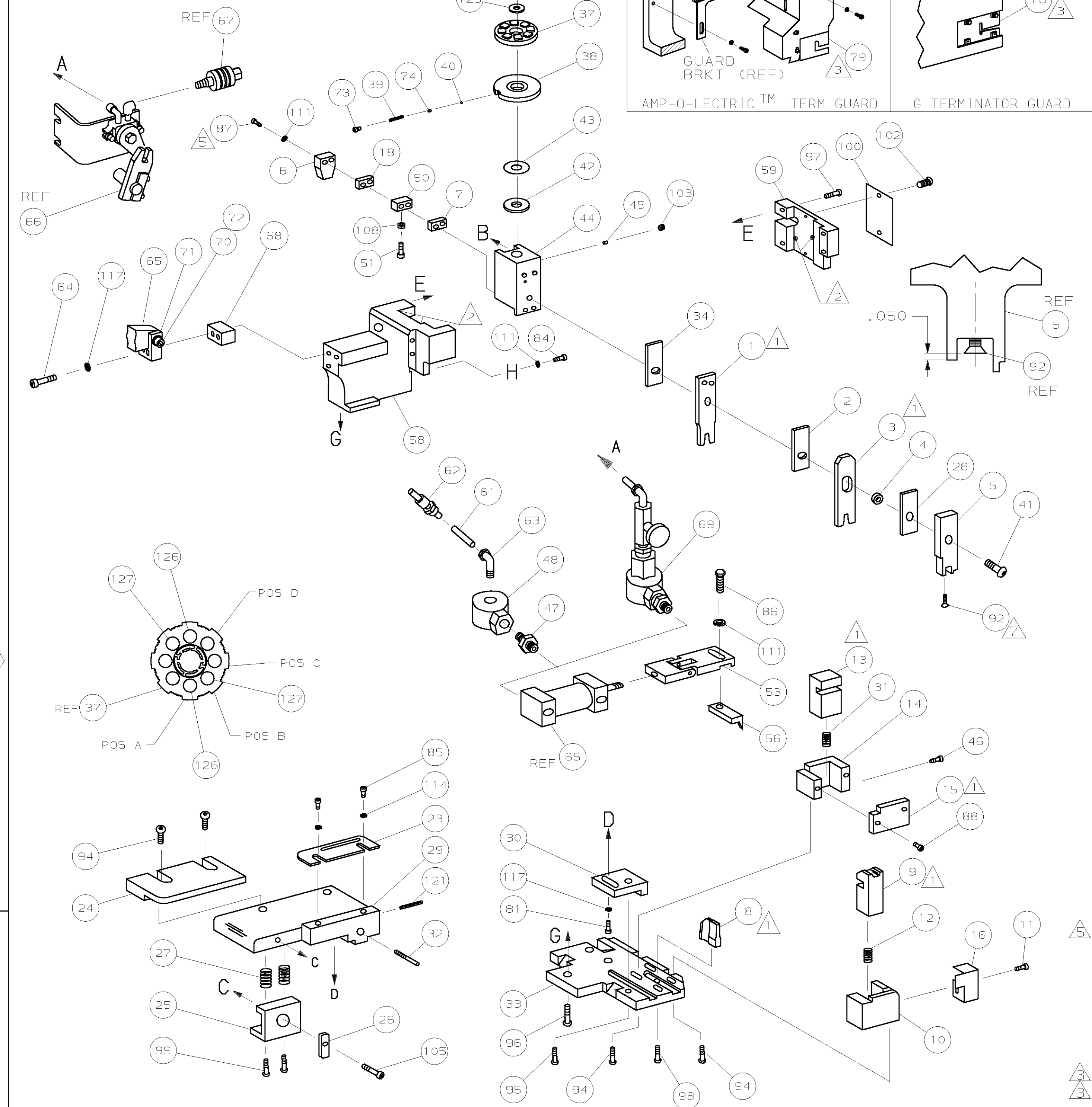


PART NUMBER	REV	FIRST USED
1385807-1	A	122500-1
1385807-2	A	565435-5
1385807-3	A	354500-1



- △ 1 RECOMMENDED SPARE PARTS.
- △ 2 GREASE LIGHTLY.
- △ 3 GUARD MUST BE IN PLACE WHEN OPERATING APPLICATOR IN A BENCH MACHINE.
- △ 4 SEE DRAWING FOR COMPONENTS
- △ 5 CUT TO LENGTH AT ASSEMBLY.
- △ 6 THIS APPLICATOR APPLIES TERMINAL WITH A SEAL.
- △ 7 APPLY TORO-SEAL IN ALLEN SOCKET TO FILL HOLE AFTER FLAT HD HAS BEEN ADJUSTED TO CORRECT HEIGHT AT QUALIFICATION. APPLY PN 1-23419-5 LOC-TITE TO THREADS.

TERMINAL NAME: TAB TERMINAL		(DELPHI TERMINAL-CUSTOMER SPEC) △ 6					
TYCO TERM PN MFR TERM PN		CRIMPING DATA					
1572548 12065196		PAD LTR	CRIMP HEIGHT		WIRE SIZE		
TYCO SEAL PN MFR SEAL PN		A	.057 ±.002 [1.45 ±0.05mm]		16		
1572549 12052452		B	NOT		USED		
		C	NOT		USED		
		D	NOT		USED		
		CRIMP	SIZE	TYPE	RANGE		
		WIRE	.115 [2.92mm]	F	16		
		INSUL	.270 [6.86mm]	0	φ.137-.206		
WIRE STRIP LENGTH	TERM APPL SPEC	FEED	APPL INSTRUCTION	SET UP GAGE	LAYOUT		
.220	NONE	.804	408-8040	458637-1	L3020		
					129		
					128		
					127		
2	2	2	-	C	2-354779-1	PIN, WIRE DISC (.3095)A	126
1	1	1	-	A	986950-1	WASHER, FLAT PRECISION	125
1	1	1	-	A	217238-1	GENERAL INSTRUCTION PACKAGE	124
1	1	1	-	-	4088040	SF APPL INST 408-8040	123
							122
1	1	1	-	A	3-21028-6	PIN, SLT SPR (φ.093x.50) ST 6DF PL	121
1	1	1	-	A	1-21030-1	PIN, DOWL (φ.187x.50) LEVER	120
1	1	1	-	A	1-21030-6	PIN, DOWL (φ.187x1.25) HOUSING	119
2	2	2	-	A	21045-3	RING, RET "C" (φ.187) FD FING PIN	118
5	5	5	-	A	21024-5	WASHER, LOCK (#10) ADJ BLOCK	117
							116
							115
2	2	2	-	A	21024-2	WASHER, LOCK (#4) FRONT STP GUIDE	114
2	2	2	-	A	5-21028-1	PIN, SLT SPR (φ.125x.50) ADJ ROD	113
							112
4	4	4	-	A	21024-4	WASHER, LOCK (#8) STRIPPER	111
1	1	1	-	A	21899-4	WASHER, FLAT (φ5/16) SCREW ADJ	110
							109
1	1	1	-	A	21018-5	NUT, HEX (6-32) HOLD DOWN	108
							107
							106
1	1	1	-	A	22353-8	SCR, SHLD (φ.187x.25) DRAG LEVER	105
1	1	1	-	A	992031-1	PIN, CLEVIS	104
1	1	1	-	A	21009-2	SCR, SKT SET (1/4-20x.25 LW) RAM	103
2	2	2	-	A	21017-2	SCR, DRIVE (#2x.19) ID PLATE	102
1	1	1	-	A	6-23715-5	SCR, PAN HD (6-32x1.50) FEED ADJ	101
1	1	1	-	B	461264-1	PLATE, IDENTIFICATION	100
2	2	2	-	A	3-21002-0	SCR, BHC (10-32x.88) DRAG	99
1	1	1	-	A	22733-8	SCR, BHC (8-32x.38 LW) ANVIL	98
2	2	2	-	A	2-21002-9	SCR, BHC (10-32x.75) CAP	97
3	3	3	-	A	2-22733-8	SCR, BHC (1/4-20x.62) HOUSING	96
1	1	1	-	A	2-21002-7	SCR, BHC (10-32x.50) 56 ADJ BLOCK	95
6	6	6	-	A	2-21002-2	SCR, BHC (8-32x.50) TERM H DWN	94
							93
1	1	1	-	A	2-21003-0	SCR, FHC (6-32x.50) DEP	92
1	1	1	-	A	1-21002-7	SCR, BHC (6-32x.38) CAM	91
							90
1	1	1	-	A	7-21000-9	SCR, SHC (4-40x.19) STRIPPER	89
2	2	2	-	A	1-21000-8	SCR, SHC (6-32x.25) R SHEAR PLATE	88
2	2	2	-	A	3-21000-2	SCR, SHC (8-32x1.25)	87
1	1	1	-	A	2-22603-0	SCR, HEX HD (8-32x.31) FEED FINGER	86
2	2	2	-	A	1-21000-3	SCR, SHC (4-40x.25) F ST GUIDE	85
1	1	1	-	A	2-21000-7	SCR, SHC (8-32x.50) STRIPPER	84
2	2	2	-	A	3-21000-7	SCR, SHC (10-32x.75) FEED ROD GD	83
2	2	2	-	A	3-21000-6	SCR, SHC (10-32x.62) FEED ADJ BLK	82
2	2	2	-	A	3-21000-4	SCR, SHC (10-32x.38) 56 ADJ BL	81
							80
-	REF	-	-	B	455749-1	GUARD, WINDOW	79
REF	-	-	-	B	679532-1	INSERT, GUARD	78
							77
							76
							75
1	1	1	-	A	690603-1	SPRING, ASSIST	74
1	1	1	-	A	23030-1	SCR, SHC (6-32x.25 SL) INS DISC	73
1	1	1	-	A	4-21002-8	SCR, BHC (3/8x1.00) FEED MT	72
1	1	1	-	B	459610-3	MOUNT, FEED BRACKET	71
-3	-2	-1	U/M	DWG SIZE	PART NO	DESCRIPTION	ITEM NO
QTY RECD PER ASSY		PARTS LIST					

-1 LEADMAKER			AIRFEED				
-2 BENCH MODEL K			AIRFEED				
-3 BENCH MODEL G			AIRFEED				
QTY	REV	REV	REV	REV	REV	REV	
1	1	1	-	A	21024-8	WASHER, LOCK (3/8) FEED BRKT	70
-	1	-	-	C	692655-5	AIR FEED VALVE ASSY	69
1	1	1	-	A	461690-1	SPACER, AIR FEED	68
-	REF	-	-	A	24042-2	VALVE, SHUT OFF	67
-	REF	-	-	C	692655-6	AIR FEED VALVE ASSY	66
1	1	1	-	B	461065-2	AIR FEED ASSY (2 INCH)	65
2	2	2	-	A	4-21000-3	SCR, SHC (10-32x2.00) AIR ASSY	64
1	-	1	-	A	980285-2	ELBOW, SWIVEL 1/8 NPT - 1/4 T	63
1	-	1	-	A	23238-1	QUICK DISCONNECT	62
21.00	-	21.00	IN	A	27319-4	TUBING, POLY-FLO φ.25	61
							60
1	1	1	-	C	454220-1	CAP, RAM	59
1	1	1	-	D	454485-1	HOUSING	58
							57
							56
1	1	1	-	B	458537-2	PAWL, FEED	55
							54
1	1	1	-	B	461062-1	FEED FINGER ASSY	53
							52
1	1	1	-	A	811242-2	BUMPER, HOLDDOWN	51
1	1	1	-	A	690753-1	SPACER, TONKER	50
							49
1	-	1	-	A	22374-7	VALVE, QUICK EXHAUST	48
1	-	1	-	A	22304-1	NIPPLE, HEX 1/8 NPT	47
1	1	1	-	A	1-690461-7	STOP, SHEAR	46
1	1	1	-	A	690191-1	PLUG, NYLON	45
1	1	1	-	C	455673-1	RAM	44
1	1	1	-	A	690125-1	WASHER, LAMINATED	43
1	1	1	-	A	690124-1	WASHER, RAM	42
1	1	1	-	A	690686-1	BOLT, CRIMPER (5/16x1.00)	41
1	1	1	-	A	23241-6	BALL, STEEL	40
1	1	1	-	A	690170-1	SPRING, COMPRESSION	39
1	1	1	-	C	1-690142-0	DISC, INSULATION	38
1	1	1	-	D	354777-1	WIRE DISC, PLASTIC	37
1	1	1	-	A	22480-5	WASHER, SPRING	36
1	1	1	-	B	690212-1	POST, RAM	35
1	1	1	-	D	455888-8	SPACER, CRIMPER	34
1	1	1	-	D	318055-4	PLATE, BASE	33
1	1	1	-	A	690432-3	SCREW, ADJUSTMENT	32
1	1	1	-	D	4-22280-8	SPRING, SHEAR	31
1	1	1	-	B	455689-1	BLOCK, STRIP GUIDE ADJ	30
1	1	1	-	C	4-458144-2	PLATE, STRIP GUIDE	29
1	1	1	-	C	455888-7	SPACER, FRONT SHEAR DEP	28
2	2	2	-	A	1-22284-0	SPRING, DRAG	27
1	1	1	-	B	240793-1	LEVER, DRAG RELEASE	26
1	1	1	-	B	240792-1	DRAG, TERMINAL	25
1	1	1	-	D	9-690504-1	GUIDE, STRIP (REAR)	24
1	1	1	-	A	690438-1	GUIDE, STRIP (FRONT)	23
-	-	-	-	B	690472-2	STRIPPER	22
							21
1	1	1	-	A	679218-3	STRIPPER WIRE STOP ASSY	20
1	1	1	-	B	458949-1	STRIPPER	19
1	1	1	-	C	240641-9	SPACER, DEPRESSOR (REAR)	18
							17
1	1	1	-	B	318563-1	GUARD, CHIP, FRONT	16
1	1	1	-	B	1490874-1	PLATE, SHEAR (REAR)	15
1	1	1	-	B	1490873-1	HOLDER, SHEAR (REAR)	14
1	1	1	-	C	1-690463-4	SHEAR, FLOAT (REAR)	13
1	1	1	-	A	4-22280-8	SPRING, SHEAR	12
1	1	1	-	B	690461-1	STOP, SHEAR	11
1	1	1	-	C	2-690459-2	HOLDER, SHEAR (FRONT)	10
1	1	1	-	C	318059-4	SHEAR, FLOAT (FRONT)	9
1	1	1	-	C	2-318088-4	ANVIL	8
1	1	1	-	C	4-240641-4	SPACER, DEPRESSOR (REAR)	7
1	1	1	-	A	1-690468-5	DEPRESSOR, SHEAR (REAR)	6
1	1	1	-	C	122399-4	DEPRESSOR, SHEAR (FRONT)	5
1	1	1	-	B	1-238011-9	SPACER, BLOCK CRIMPER	4
1	1	1	-	C	904741-8	CRIMPER, INSULATION	3
1	1	1	-	C	455888-8	SPACER, CRIMPER	2
1	1	1	-	C	4-568176-5	CRIMPER, WIRE	1
-3	-2	-1	U/M	DWG SIZE	PART NO	DESCRIPTION	ITEM NO
QTY RECD PER ASSY		PARTS LIST					

DIMENSIONS IN INCHES. DO NOT SCALE PRINT. TOLERANCES UNLESS OTHERWISE SPECIFIED:			MATERIAL		FINISH	
DR	C.ERISMAN	11AUG04	APP	11AUG04		
CHK			REL	T.ELBIN		
3	PLC DEC ±					
4	PLC DEC ±					
ANGLES ±						
SURF TEXTURE:						
REMOVE BURRS, BREAK SHARP EDGES R.015 MAX						
CAGE CODE 00779		CUSTOMER AND ASSEMBLY DRAWING		RESTRICTED TO		
LOC	A	NAME		MACHINE REF		
DIST	66	SIDE FEED HDM APPLICATOR		MINI APPL		
		SCALE	DWG NO	1385807	SHEET 1 OF 1	REV A