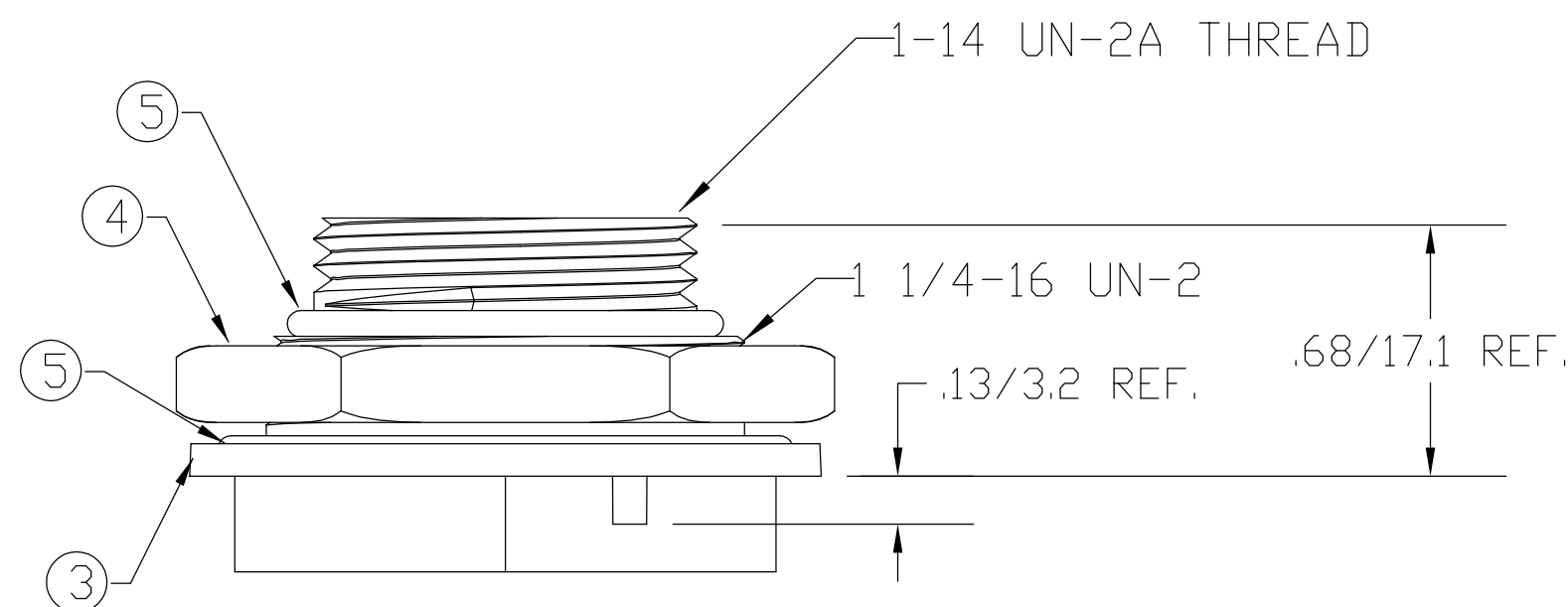
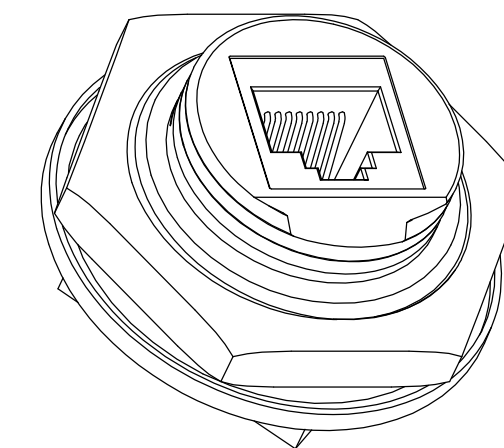
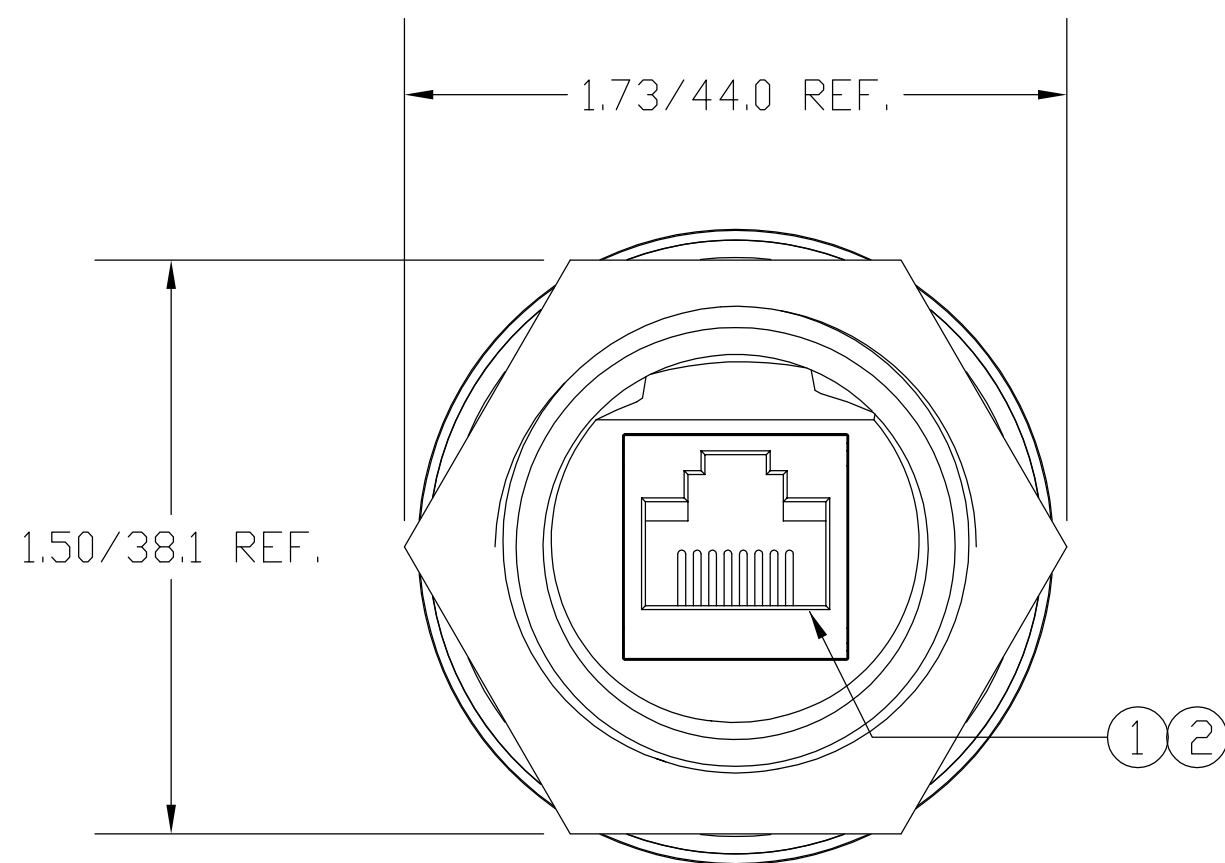


13	12	11	10	9	8	7	6	5	4	3	2	1
<b>MATERIAL NUMBER</b>	<b>OLD PART NUMBER</b>											
130053-0004	ENPR1FF5											



VOLTAGE RATING	125 VDC
AMPERAGE RATING	1.5 AMPS
PROTECTION	IP67
OPERATING TEMPERATURE	-20°C TO 80°C

ITEM	COMPONENT	MATERIAL	FINISH
1	CONTACT HOUSING	ABS	BLACK
2	CONTACT SOCKET	COPPER ALLOY	GOLD OVER NICKEL
3	RECEPTACLE SHELL	ABS	BLACK
4	COUPLING NUT	ABS	BLACK
5	O-RING	VITON	BLACK

RLSO DRAWING EC NO: WNA2009-0659 DRWN: BWOODMAN 4/3/09 CH'KD: JM APPR: JFMURPHY 2009/04/17	QUALITY SYMBOL	DESCRIPTION
	▽=0	
	∇=0	
	REV	

GENERAL TOLERANCES (UNLESS SPECIFIED)	
	mm INCH
4 PLACES	±.004 ±.0015
3 PLACES	±.005 ±.002
2 PLACES	±.006 ±.0025
1 PLACE	±.007 ±.003
ANGULAR ±.004°	
DRAFT WHERE APPLICABLE MUST REMAIN WITHIN DIMENSIONS	

DIMENSION STYLE		SCALE	DESIGN UNITS	THIRD ANGLE PROJECTION
IN/MM		----	----	
DRAWN BY	DATE	TITLE		
BW	2009/04/03	RJ-LNXX RECEPTACLE PCB MOUNT- VERTICAL		
CHECKED BY	DATE	-----		
TW	2009/04/03	MOLEX INCORPORATED		
APPROVED BY	DATE	MATERIAL NO. SEE CHART		
-----	-----	DOCUMENT NO. SD-130053-001		
SIZE	THIS DRAWING CONTAINS INFORMATION THAT IS PROPRIETARY TO MOLEX INCORPORATED AND SHOULD NOT BE USED WITHOUT WRITTEN PERMISSION			
C				

SHEET NO. 1 OF 1	
------------------	--