

LOC	DIST	REVISIONS					
		P	LTR	DESCRIPTION	DATE	DWN	APVD
A	66		BI	SEE PRODUCTION DRAWING	30APR2010	LG	GB


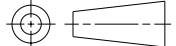
SEE PRODUCTION DRAWING
1852714

20

RELEASED FOR PUBLICATION

THIS DRAWING IS UNPUBLISHED.

© COPYRIGHT 20 BY TYCO ELECTRONICS CORPORATION. ALL RIGHTS RESERVED.

DIMENSIONS: IN	DWN L. GROSS	30APR2010	MATERIAL	FINISH
	CHK G. BAILEY	30APR2010	 Tyco Electronics Harrisburg, PA 17105-3608	
TOLERANCES UNLESS OTHERWISE SPECIFIED:	APVD N. DEMING	30APR2010		
0 PLC ±-	PRODUCT SPEC	NAME SIDE FEED HDM APPLICATOR, SMALL TERMINAL		
1 PLC ±-	-			
2 PLC ±-	APPLICATION SPEC	SIZE	CAGE CODE	DRAWING NO
3 PLC ±-	-	A 4	00779	C-1852714
4 PLC ±-	WEIGHT	RESTRICTED TO		
ANGLES ±-	-	-		
	CUSTOMER DRAWING	SCALE	SHEET	OF
		-	1	1
			REV	BI