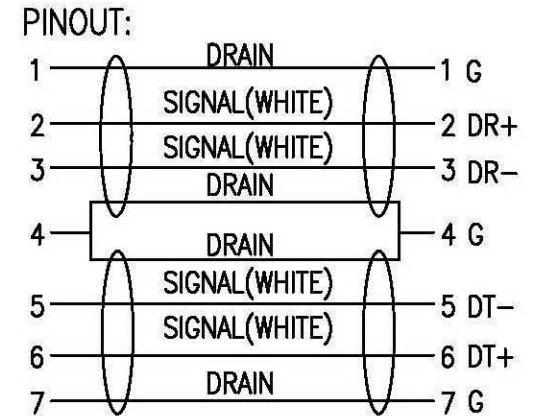
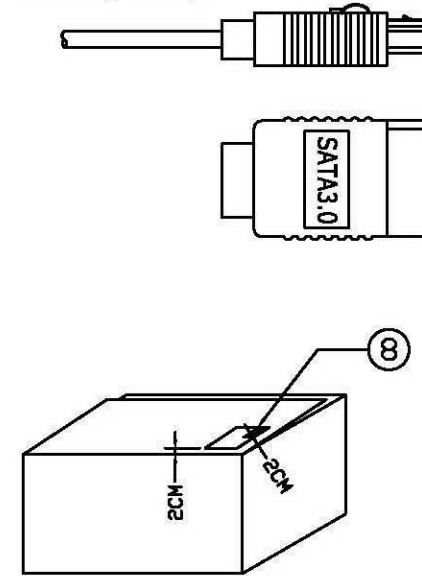
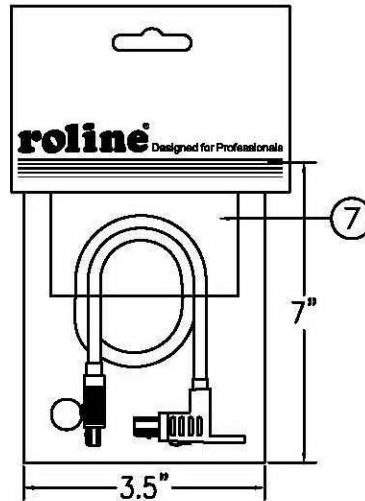
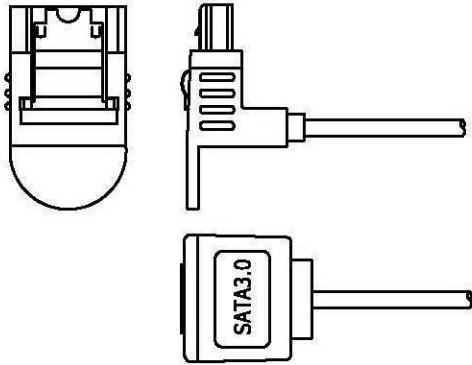
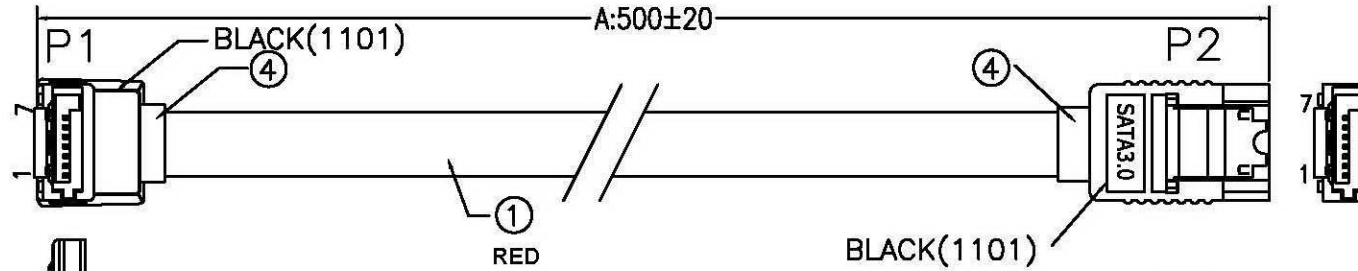


unit: mm



NOTE:

- 1) CONDUCTOR RESISTANCE:1 Ω Max;
INSULATION RESISTANCE: 50M Ω Min;
HI-POT:DC 300V;
SHORT AND OPEN 100% TESTING
DIE NO.: P1 OZ07I05 P2 OZ07I01
- 2) RoHS COMPLIANT.
- 3) 1PCS/PE BAG+HEADER PAPER+LABEL(7).
- 4) 25PCS/INNER BOX+LABEL(8).
- 5) 2PCS INTO A OUTER BOX.

4	INNER JACKET PE RoHS
3	OUTER JACKET 45Pa PVC BLACK(1101) RoHS
2	SATA 7PIN CONNECTOR BLACK PBT TERMINAL PLATED GOLD 3U"
1	SATA 3.0(2C*26AWG+AL+2D)*2C OD:2.2*7.6MM RED 500MM RoHS

A	FIRST EDITION	J. L. 2011	27/01/11
REV.	ECR	DESCRIPTION	C.N. DATE
		Rotronic Co., Ltd.	
UNLESS OTHERWISE SPECIFIED: DIMENSIONS ARE IN MILLIMETERS ANGULAR TOLERANCE: ±1.0°		ROLINE Internal SATA 6.0Gbit/s Cable, angled, 0.5m	
DIMENSIONS	TOLERANCE	CHKD.	CONF.
0.00 TO 30.00mm	±0.10mm	DR.	APPD.
30.01 TO 80.00mm	±0.13mm	J. L. 2011	
80.01 TO 150.00mm	±0.15mm	PART NO.	11.03.1564
150.01mm	±0.20mm	SCALE	SHEET 1/1 UNIT MM SIZE A4 REV. A
MATERIAL	MATERIAL		
FINISH	FINISH		