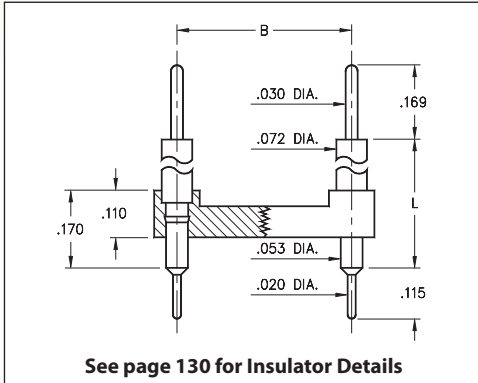
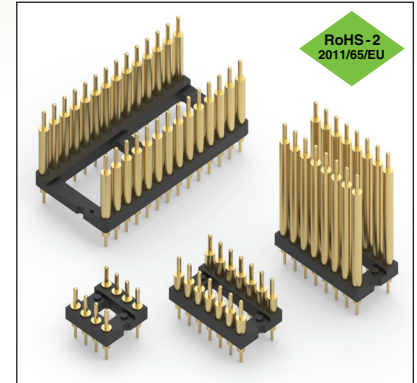


DUAL-IN-LINE HEADERS

SERIES 134 • INTERCONNECT • OPEN FRAME



- Series 134 DIL Headers combine .030" diameter pins with pluggable .020" diameter solder tails
- Series:
 - 134...020 uses MM #3402 pins
 - 134...010 uses MM #3401 pins
 - 134...050 uses MM #3405 pins
 - 134...000 uses MM #3400 pins
 - 134...100 uses MM #3410 pins
 See page 215 for details
- Insulators are high temperature thermoplastic, suitable for all soldering operations
- For Electrical, Mechanical and Environmental Data, see page 264 for details



| Total number of pins | Pin Spacing | | | Quantity per tube | ORDERING INFORMATION | | | | | |
|---------------------------------|-------------|-----|-----|-------------------|---------------------------|----------------------|----------------------|----------------------|----------------------|--|
| | A | B | C | | L = .190 | L = .236 | L = .315 | L = .605 | L = 1.070 | |
| 10 | 0.5 | 0.2 | 0.3 | 41 | 134-10-210-00-020000 | 134-10-210-00-010000 | 134-10-210-00-050000 | 134-10-210-00-000000 | 134-10-210-00-100000 | |
| 4 | 0.2 | 0.3 | 0.4 | 102 | 134-10-304-00-020000 | 134-10-304-00-010000 | 134-10-304-00-050000 | 134-10-304-00-000000 | 134-10-304-00-100000 | |
| 6 | 0.3 | 0.3 | 0.4 | 67 | 134-10-306-00-020000 | 134-10-306-00-010000 | 134-10-306-00-050000 | 134-10-306-00-000000 | 134-10-306-00-100000 | |
| 8 | 0.4 | 0.3 | 0.4 | 50 | 134-10-308-00-020000 | 134-10-308-00-010000 | 134-10-308-00-050000 | 134-10-308-00-000000 | 134-10-308-00-100000 | |
| 10 | 0.5 | 0.3 | 0.4 | 40 | 134-10-310-00-020000 | 134-10-310-00-010000 | 134-10-310-00-050000 | 134-10-310-00-000000 | 134-10-310-00-100000 | |
| 14 | 0.7 | 0.3 | 0.4 | 28 | 134-10-314-00-020000 | 134-10-314-00-010000 | 134-10-314-00-050000 | 134-10-314-00-000000 | 134-10-314-00-100000 | |
| 16 | 0.8 | 0.3 | 0.4 | 25 | 134-10-316-00-020000 | 134-10-316-00-010000 | 134-10-316-00-050000 | 134-10-316-00-000000 | 134-10-316-00-100000 | |
| 18 | 0.9 | 0.3 | 0.4 | 22 | 134-10-318-00-020000 | 134-10-318-00-010000 | 134-10-318-00-050000 | 134-10-318-00-000000 | 134-10-318-00-100000 | |
| 20 | 1.0 | 0.3 | 0.4 | 20 | 134-10-320-00-020000 | 134-10-320-00-010000 | 134-10-320-00-050000 | 134-10-320-00-000000 | 134-10-320-00-100000 | |
| 22 | 1.1 | 0.3 | 0.4 | 18 | 134-10-322-00-020000 | 134-10-322-00-010000 | 134-10-322-00-050000 | 134-10-322-00-000000 | 134-10-322-00-100000 | |
| 24 | 1.2 | 0.3 | 0.4 | 16 | 134-10-324-00-020000 | 134-10-324-00-010000 | 134-10-324-00-050000 | 134-10-324-00-000000 | 134-10-324-00-100000 | |
| 28 | 1.4 | 0.3 | 0.4 | 14 | 134-10-328-00-020000 | 134-10-328-00-010000 | 134-10-328-00-050000 | 134-10-328-00-000000 | 134-10-328-00-100000 | |
| 20 | 1.0 | 0.4 | 0.5 | 20 | 134-10-420-00-020000 | 134-10-420-00-010000 | 134-10-420-00-050000 | 134-10-420-00-000000 | 134-10-420-00-100000 | |
| 22 | 1.1 | 0.4 | 0.5 | 18 | 134-10-422-00-020000 | 134-10-422-00-010000 | 134-10-422-00-050000 | 134-10-422-00-000000 | 134-10-422-00-100000 | |
| 24 | 1.2 | 0.4 | 0.5 | 16 | 134-10-424-00-020000 | 134-10-424-00-010000 | 134-10-424-00-050000 | 134-10-424-00-000000 | 134-10-424-00-100000 | |
| 28 | 1.4 | 0.4 | 0.5 | 14 | 134-10-428-00-020000 | 134-10-428-00-010000 | 134-10-428-00-050000 | 134-10-428-00-000000 | 134-10-428-00-100000 | |
| 32 | 1.6 | 0.4 | 0.5 | 12 | 134-10-432-00-020000 | 134-10-432-00-010000 | 134-10-432-00-050000 | 134-10-432-00-000000 | 134-10-432-00-100000 | |
| 24 | 1.2 | 0.6 | 0.7 | 16 | 134-10-624-00-020000 | 134-10-624-00-010000 | 134-10-624-00-050000 | 134-10-624-00-000000 | 134-10-624-00-100000 | |
| 28 | 1.4 | 0.6 | 0.7 | 14 | 134-10-628-00-020000 | 134-10-628-00-010000 | 134-10-628-00-050000 | 134-10-628-00-000000 | 134-10-628-00-100000 | |
| 32 | 1.6 | 0.6 | 0.7 | 12 | 134-10-632-00-020000 | 134-10-632-00-010000 | 134-10-632-00-050000 | 134-10-632-00-000000 | 134-10-632-00-100000 | |
| 36 | 1.8 | 0.6 | 0.7 | 11 | 134-10-636-00-020000 | 134-10-636-00-010000 | 134-10-636-00-050000 | 134-10-636-00-000000 | 134-10-636-00-100000 | |
| 40 | 2.0 | 0.6 | 0.7 | 10 | 134-10-640-00-020000 | 134-10-640-00-010000 | 134-10-640-00-050000 | 134-10-640-00-000000 | 134-10-640-00-100000 | |
| 42 | 2.1 | 0.6 | 0.7 | 9 | 134-10-642-00-020000 | 134-10-642-00-010000 | 134-10-642-00-050000 | 134-10-642-00-000000 | 134-10-642-00-100000 | |
| 48 | 2.4 | 0.6 | 0.7 | 8 | 134-10-648-00-020000 | 134-10-648-00-010000 | 134-10-648-00-050000 | 134-10-648-00-000000 | 134-10-648-00-100000 | |
| 50 | 2.5 | 0.6 | 0.7 | 8 | 134-10-650-00-020000 | 134-10-650-00-010000 | 134-10-650-00-050000 | 134-10-650-00-000000 | 134-10-650-00-100000 | |
| 52 | 2.6 | 0.6 | 0.7 | 7 | 134-10-652-00-020000 | 134-10-652-00-010000 | 134-10-652-00-050000 | 134-10-652-00-000000 | 134-10-652-00-100000 | |
| 50 | 2.5 | 0.9 | 1.0 | 8 | 134-10-950-00-020000 | 134-10-950-00-010000 | 134-10-950-00-050000 | 134-10-950-00-000000 | 134-10-950-00-100000 | |
| 52 | 2.6 | 0.9 | 1.0 | 7 | 134-10-952-00-020000 | 134-10-952-00-010000 | 134-10-952-00-050000 | 134-10-952-00-000000 | 134-10-952-00-100000 | |
| 64 | 3.2 | 0.9 | 1.0 | 6 | 134-10-964-00-020000 | 134-10-964-00-010000 | 134-10-964-00-050000 | 134-10-964-00-000000 | 134-10-964-00-100000 | |
| XX=Plating Code See to Right | | | | | SPECIFY PLATING CODE XX = | | 10 | | | |
| | | | | | Pin Plating | | 10 μ" Au | | | |

