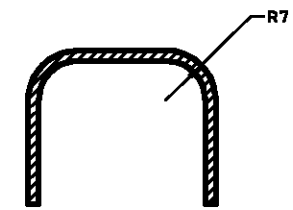
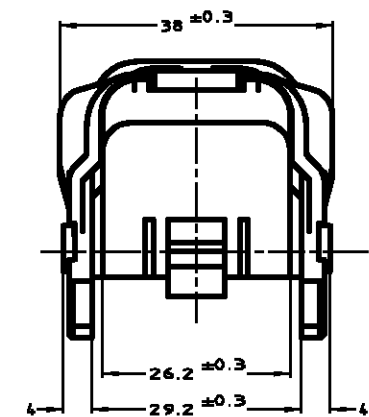
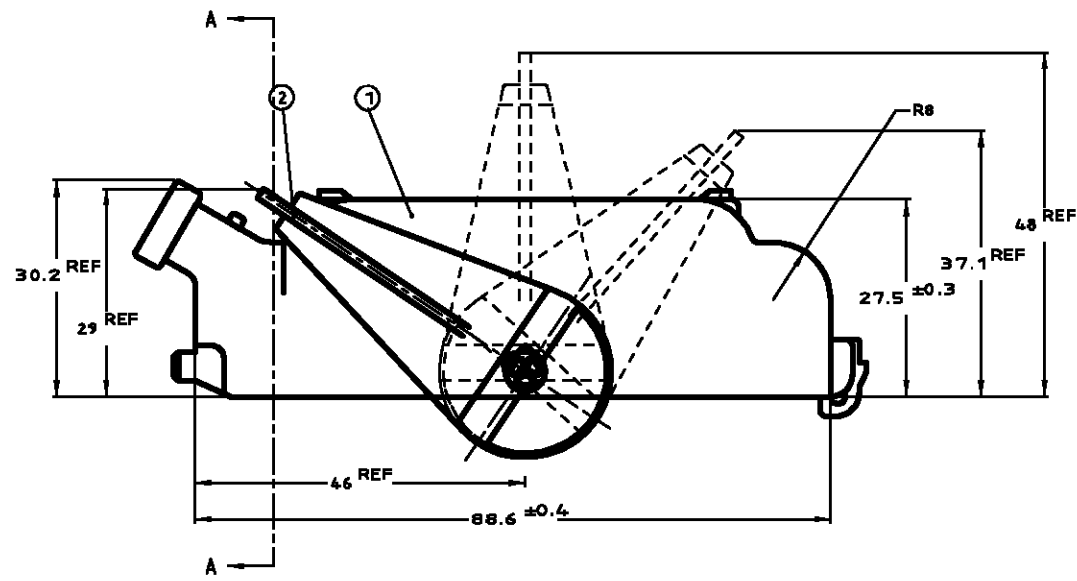
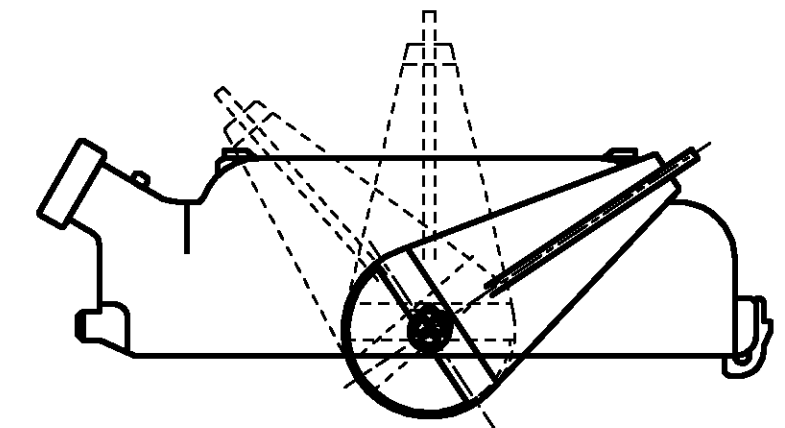
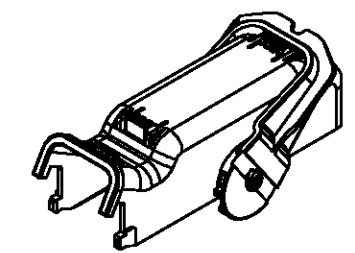
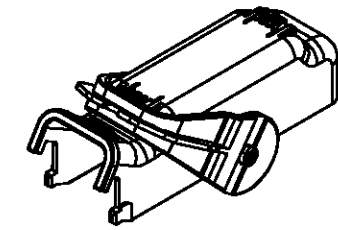
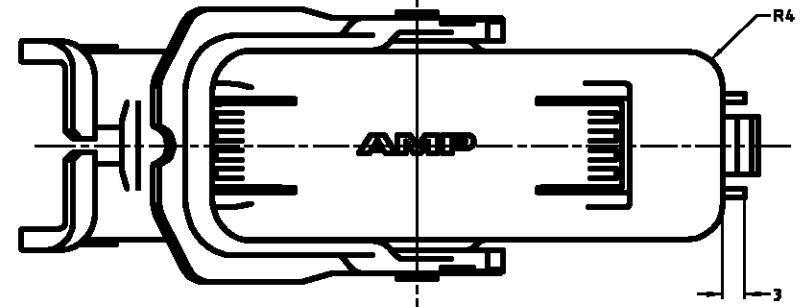


LOC	DIST	REVISIONS					
J	-	P	LTR	DESCRIPTION	DATE	DWN	APVD
		C		REVISED ADD -2 FJ00-2199-02	22OCT02	(TS)	TM



A-A

1376601-1
COVER WITH LEVER ON THE WIRES OUTPUT SIDE

1376601-2
COVER WITH LEVER OPPOSED TO WIRES OUTPUT SIDE

レバーの方向以外は1376601-1と同じである。
 IT IS THE SAME AS 1376601-1 EXCEPT THE DIRECTION OF A LEVER.

オレンジ (ORANGE)	レバー (LEVER)	2
黒 (BLACK)	カバー (COVER)	1
色 (COLOR)	名称 (NAME)	NO

THIS DRAWING IS A CONTROLLED DOCUMENT.		DWN	T.SAGAWA	18OCT2002
DIMENSIONS: 単位: 特 MM		CHK	K.ODA	27SEP00
TOLERANCES UNLESS OTHERWISE SPECIFIED: 一般公差		APVD	K.ODA	27SEP00
0 PLC ± 0.2	1 PLC ± 0.2	PRODUCT SPEC	製品規格	108-5523
2 PLC ± 0.2	3 PLC ± 0.2	APPLICATION SPEC	取付適用規格	-
4 PLC ± 0.2	ANGLES ± 1	WEIGHT	21 g	A3 00779
MATERIAL 材料	FINISH 仕上	DRAWING NO 番号		
PBT	SEE TABLE	C-1376601		
CUSTOMER DRAWING		SCALE	1:1	SHEET 1 OF 1
		REV	C	

tyco Tyco Electronics AMP K.K.
 Kawasaki, Japan

NAME
名称

LEVER ASSY
for 060/187 PLUG ASSY 47Pos.

Mouser Electronics

Authorized Distributor

Click to View Pricing, Inventory, Delivery & Lifecycle Information:

[TE Connectivity:](#)

[1376601-1](#)