

Distributed by:

JAMECO[®]
ELECTRONICS

www.Jameco.com ♦ 1-800-831-4242

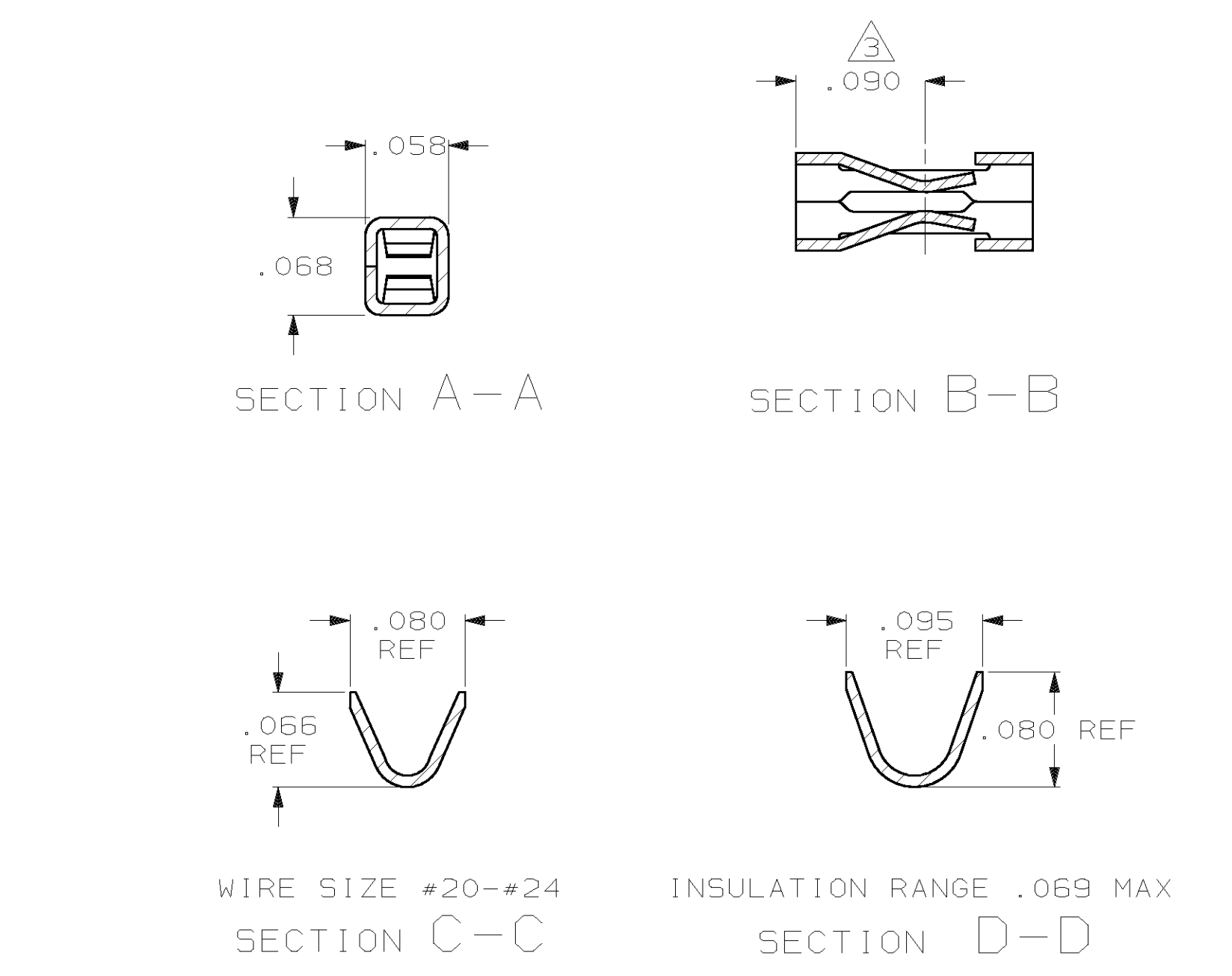
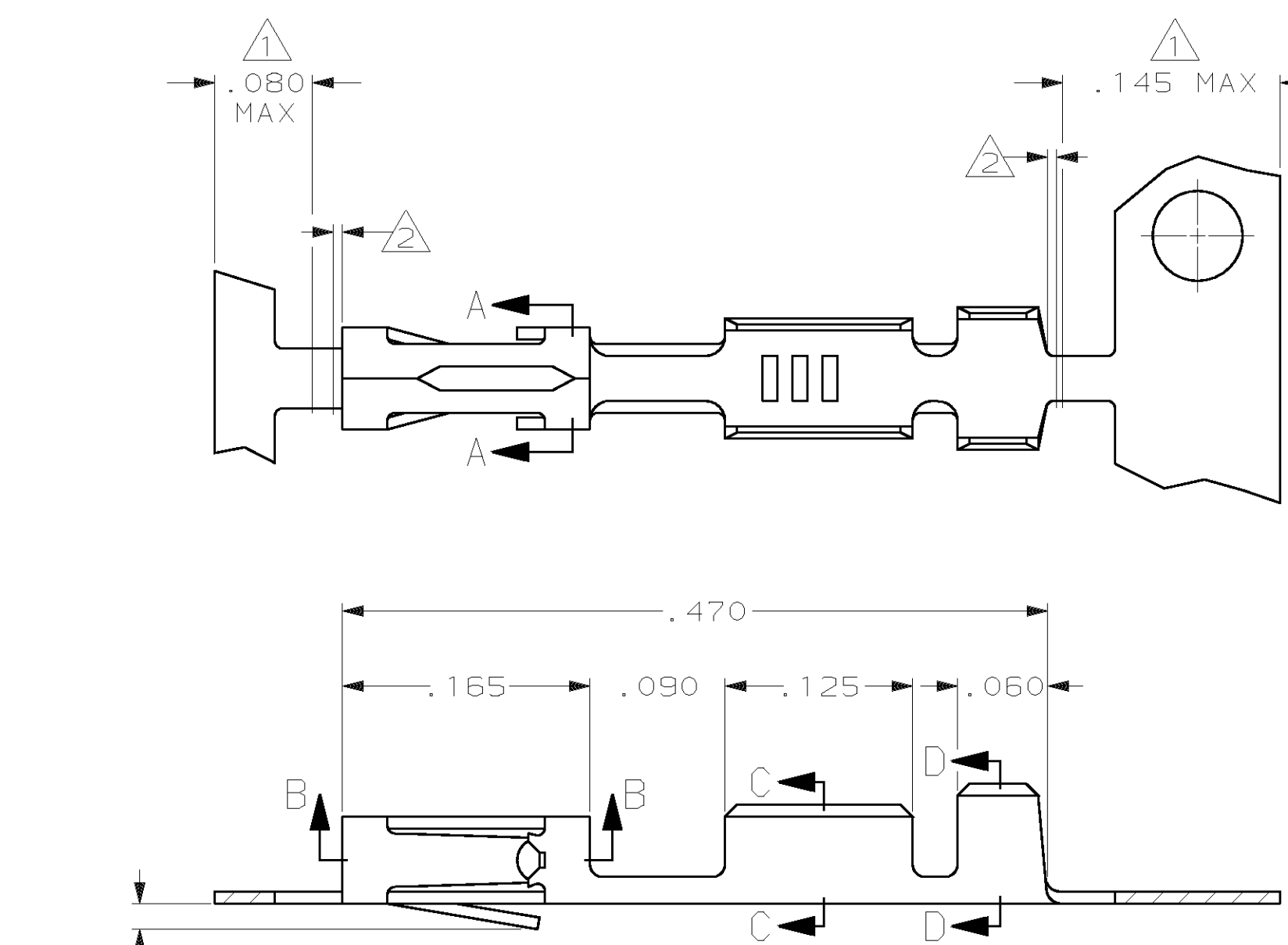
The content and copyrights of the attached
material are the property of its owner.

Jameco Part Number 893339

THIS DRAWING IS UNPUBLISHED. RELEASED FOR PUBLICATION _____, 1980.
 © COPYRIGHT 1980 BY AMP INCORPORATED, HARRISBURG, PA. ALL INTERNATIONAL RIGHTS RESERVED. AMP PRODUCTS MAY BE COVERED BY U.S. AND FOREIGN PATENTS AND/OR PATENTS PENDING.

REVISIONS						
P	F	ZONE	LTR	DESCRIPTION	DATE	APPROVED
			D	REV-REDRAWN ECN 484		
			E	REV-ECN 672	LDR 7-15-85	RD
			E1	REV-ECN 953	LAM 2-21-86	JLG
			E2	REV-ECN 980	LM 3-20-86	JLG
			E3	REV-ECN 1041	HM 5-1-86	
			E4	OBSOLETE ECN 1821	LDR 2-25-88	
			F	REV ECN AR2029	DK 9-27-88	JLG
			G	REV ECN AR2149	DK 10-31-88	
			H	REV LOC & DIST AD-4171		3-90 BF
			J	REV PER 0010-1407-95		3-7-96 SS
			K	REV PER 0010-1496-95		3-18-96 SS
			L	REV PER EC 063C-548-03		31MAR04 DS

- 1 PLATING IS NOT REQUIRED IN THIS AREA.
- 2 .006 MAX LOOSE PIECE CUT-OFF.
- 3 POINT OF MEASUREMENT FOR PLATING THICKNESS, INSIDE BEAMS
- 4 .000050-.000150 PREPLATED BRIGHT TIN.
- 5 .000030 GOLD IN CONTACT AREA, GOLD FLASH ON THE REMAINDER, ALL OVER .000050 NICKEL.
- 6 .000030 GOLD OVER .000050 NICKEL ENTIRE TERMINAL.
- 7 .000050 GOLD OVER .000050 NICKEL ENTIRE TERMINAL.
- 8 .000015 GOLD IN CONTACT AREA, GOLD FLASH ON THE REMAINDER, ALL OVER .000050 NICKEL.
- 9 SHEARED EDGES ARE PERMITTED TO BE UNPLATED.
- 10 .000015 GOLD IN CONTACT AREA, .000050 NICKEL ON ENTIRE TERMINAL.
- 11 OBSOLETE PART NUMBER.



2-87309-5	OBSOLETE	2-87309-4
2- -3	OBSOLETE	2- -1
2- 11 -0	1- 11 -8	1- 11 -9
1- 11 -7	11 -6	1- 11 -2
1- 11 -6	11 -5	1- 11 -1
1- 11 -5	11 -4	1- 11 -0
1- -4	-3	-9
1-87309-3	87309-2	87309-8
LOOSE PIECE PART NUMBER	STANDARD APPLICATOR PART NUMBER	MINI APPLICATOR PART NUMBER

UNLESS OTHERWISE SPECIFIED DIMENSIONS ARE IN INCHES. TOLERANCES ON: DECIMALS ± .005 ANGLES ±	CONTRACT NO	AMP INCORPORATED Harrisburg, Pa.	
	DR L D RINGLEY 1-28-85		
MATERIAL	CHK 1-30-85 R J DAVIS	CONTACT, MOD V = CRIMP SNAP-IN	
PHOS. BRONZE .008 THICK	APPD 1-30-85 R J DAVIS APPD 1-31-85 C LINDGREN	SIZE	DRAWING NO
FINISH	DSGN APPD	C 00779	87309
SEE TABLE	OTHER APPD	SCALE 10:1	SHEET 1