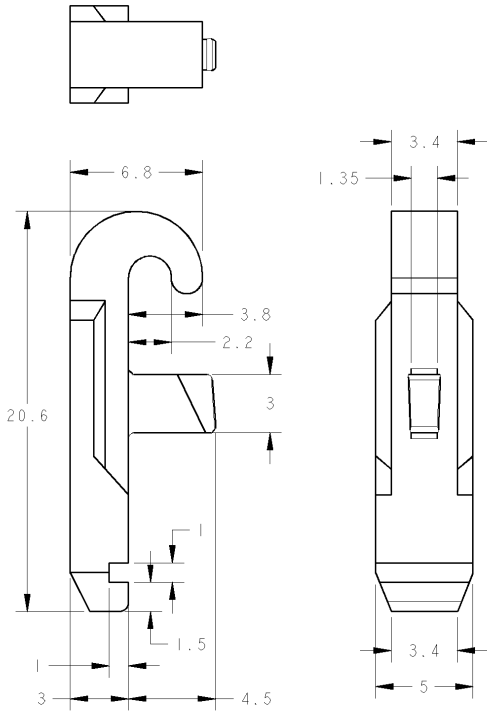
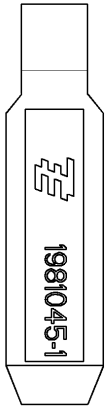
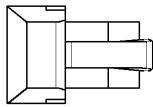


THIS DRAWING IS UNPUBLISHED. RELEASED FOR PUBLICATION 2008
 © COPYRIGHT 2008 BY TYCO ELECTRONICS CORPORATION. ALL INTERNATIONAL RIGHTS RESERVED.

LOC		DIST		REVISIONS			
J				変更			
F	LTR	DESCRIPTION		DATE	DWN	APVD	
	B	REVISED PER ECR-10-007266		22APR2010	HMR	T.M	



1. 材料: ポリアミド
 2. 取扱説明書 411-48272 参照
 1. MATERIAL: POLYAMIDE
 2. SEE INSTRUCTION SHEET 411-78272



<small>THIS DRAWING IS A CONTROLLED DOCUMENT FOR TYCO ELECTRONICS CORPORATION IT IS SUBJECT TO CHANGE AND THE CONTROLLING ENGINEERING ORGANIZATION SHOULD BE CONTACTED FOR THE LATEST REVISION.</small>		DWN T. KUDO 21APR2008	Tyco Electronics Corporation Kawasaki, Japan	
DIMENSIONS: 単位: mm		CHK S. MANABE 21APR2008	NAME S. MANABE	
TOLERANCES UNLESS OTHERWISE SPECIFIED: 一般公差 ±0.3, ±5° 0-PLC ± 1-PLC ± 2-PLC ± 3-PLC ± 4-PLC ± ANGLES ±		APVD S. MANABE 21APR2008	PRODUCT SPEC 108-78400	
MATERIAL POLYAMIDE FINISH 仕上		APPLICATION SPEC 取扱説明書	DRAWING NO C-1981045	
		WEIGHT 0.414g	SIZE A3	RESTRICTED TO
		CUSTOMER DRAWING	SCALE 5:	SHEET 1 OF 1 REV B