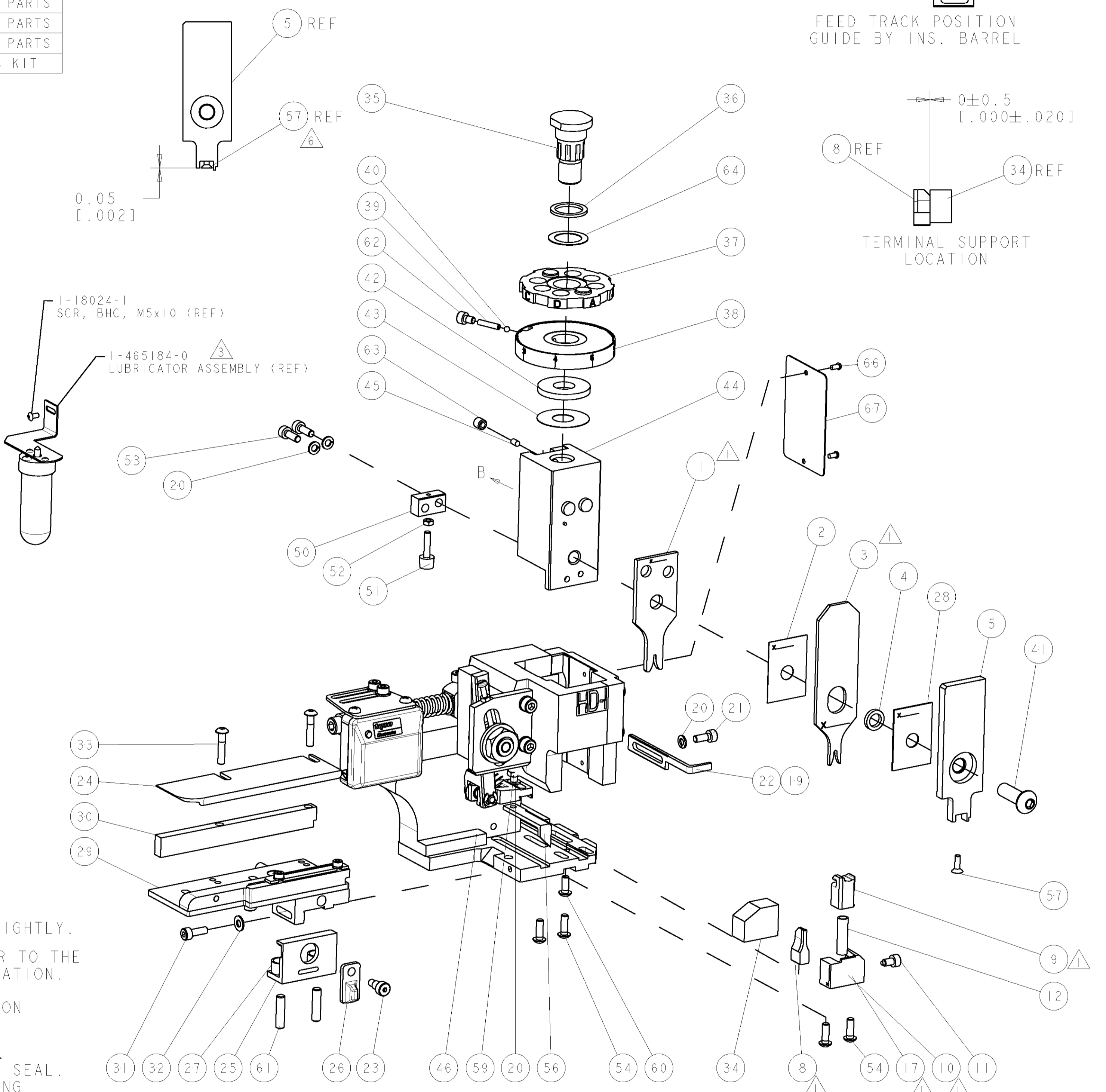
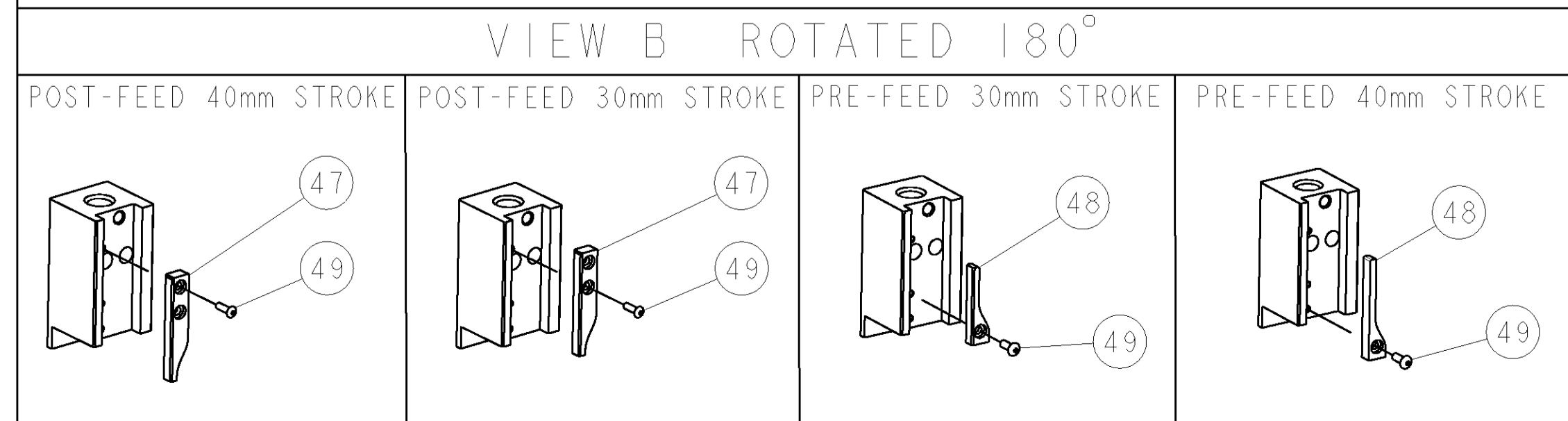


PART NUMBER	REV	TERMINATOR	FEED TYPE	DESCRIPTION
1238083-1	A	LEADMAKER	MECH POST FEED	CUTS CARRIER
1238083-2	A	BENCH	MECH PRE FEED	CUTS CARRIER
1238083-6	A	LEADMAKER	MECH POST FEED	CONTINUOUS CARRIER
7-1238083-1	A	LEADMAKER	MECH POST FEED	-1 AND SPARE PARTS
7-1238083-2	A	BENCH	MECH PRE FEED	-2 AND SPARE PARTS
7-1238083-6	A	LEADMAKER	MECH POST FEED	-6 AND SPARE PARTS
7-1238083-7	A	-	-	SPARE PARTS KIT

CRIMP DATA		YAZAKI TERMINAL		YAZAKI CRIMP SPECS	
TERMINAL NAME: RH TYPE TERMINAL					
CRIMP	SIZE	TYPE	RANGE		
WIRE	1.32 [1.052 IN]	F	0.5mm ²		
INSUL	2.11 [1.083 IN]	0	Ø2.90 [1.114 IN] MAX		
WIRE STRIP LENGTH 4.00-4.50 [1.57-.177 IN]		APPL INSTRUCTIONS 408-8322			
TERMINAL APPL SPEC		YAZAKI	FEED		8.00 [3.15 IN]
TERMINALS APPLIED					
TERMINAL P/N	YAZAKI	SEAL P/N	YAZAKI	YAZAKI	YAZAKI
1949838	7114-4416-02	1949840	7158-3169-40	7158-3167-80	
1949839	7116-4416-02	1949841	7158-3167-80		
WIRE SIZE	CRIMP HEIGHT	PINPN & LENGTH [IN]			
0.50mm ²	1.00 ±0.05 [1.039 ±.002 IN]	9-354778-6 [1.2975]			

- △ RECOMMENDED SPARE PARTS.
- GREASE RAM, CAM, CAM FOLLOWER AND FEED ROD LIGHTLY.
 - CERTAIN TERMINALS REQUIRE LUBRICATION. REFER TO THE APPLICATOR INSTRUCTION SHEET FOR MORE INFORMATION.
 - LUBRICATE DAILY PER THE APPLICATOR INSTRUCTION SHEET SUPPLIED WITH THE APPLICATOR.
 - THIS APPLICATOR APPLIES TERMINAL WITH A SEAL. INSULATION DIA QUOTED IS OUTSIDE DIAMETER OF SEAL. WIRE INSULATION DIA IS DEPENDENT ON SEAL BEING APPLIED. SEAL PN 1949841 INS. DIA RANGE IS Ø1.35-1.70.
 - APPLY TORQ-SEAL IN ALLEN SOCKET TO FILL HOLE AFTER FLAT HD HAS BEEN ADJUSTED TO CORRECT HEIGHT AT QUALIFICATION. APPLY #1-23419-5 LOC-TITE TO THREADS.



SET UP GAGE
458637-3

LOC	DIST	REV	DESCRIPTION	DATE	DWN	APVD
A	66	A	RELEASED	20JAN2009	RK	GB

-	-	-	-	-	-	-	-	-	-	73
-	-	-	-	-	-	-	-	-	-	72
-	1	1	1	1	1	1	1338705-1	DOCUMENTATION PACKAGE		71
-	-	-	-	-	-	-	-	-	-	70
-	-	-	-	-	-	-	-	-	-	69
-	-	-	-	-	-	-	-	-	-	68
-	1	1	1	1	1	1	461264-1	PLATE, IDENTIFICATION		67
-	2	2	2	2	2	2	21017-2	SCREW, DRIVE		66
-	-	-	-	-	-	-	-	-	-	65
-	1	1	1	1	1	1	986950-1	WASHER, FLAT PRECISION		64
-	1	1	1	1	1	1	3-18031-0	SCR, SET, CUP POINT M6 X 6.0		63
-	1	1	1	1	1	1	18023-9	SCR, SKT HD CAP M4 X 6.0		62
-	2	2	2	2	2	2	2-18032-5	SCR, SET, FLT POINT M5 X 20.0		61
-	1	1	1	1	1	1	18024-7	SCR, BTN SKT HD CAP (M4 X 10.0)		60
-	1	1	1	1	1	1	5-18022-2	SCR, HEX HD CAP M4 X 8.0		59
-	-	-	-	-	-	-	-	-	-	58
-	1	1	1	1	1	1	985575-3	SCR, FLT SKT HD CAP M3 X 10.0		57
-	1	1	1	1	1	1	1338685-1	PAWL, FEED		56
-	-	-	-	-	-	-	-	-	-	55
-	4	4	4	4	4	4	18024-8	SCR, BTN SKT HD CAP (M4 X 12.0)		54
-	2	2	2	2	2	2	1-18023-2	SCR, SKT HD CAP M4 X 12.0		53
-	1	1	1	1	1	1	18030-1	NUT, HEX, REG M3		52
-	1	1	1	1	1	1	811242-5	BUMPER, HOLD DOWN		51
-	1	1	1	1	1	1	690753-2	SPACER, TONKER		50
-	1	1	1	1	1	1	18024-3	SCR, BTN SKT HD CAP (M3 X 10.0)		49
-	-	-	-	-	-	-	1338675-1	CAM, UNIVERSAL PRE FEED		48
-	1	1	1	1	1	1	1338676-1	CAM, UNIVERSAL POST-FEED		47
-	1	1	1	1	1	1	1320999-3	APPLICATOR SUBASSEMBLY, HDI		46
-	1	1	1	1	1	1	690191-1	PLUG, NYLON		45
-	1	1	1	1	1	1	1338660-1	RAM		44
-	1	1	1	1	1	1	690125-1	SHIM SUB-ASSY		43
-	1	1	1	1	1	1	690124-4	WASHER, RAM (.135)		42
-	1	1	1	1	1	1	2-18024-6	SCR, BTN SKT HD CAP (M8 X 25.0)		41
-	1	1	1	1	1	1	23241-1	BALL, STEEL		40
-	1	1	1	1	1	1	2-22278-7	SPRING, COMPRESSION		39
-	1	1	1	1	1	1	1-1320922-3	DISC, ADJUST, INSULATION CRIMP		38
-	1	1	1	1	1	1	354777-1	WIRE DISC, ASSEMBLY		37
-	1	1	1	1	1	1	22480-5	SPRING, COMPRESSION		36
-	1	1	1	1	1	1	690212-1	POST, RAM		35
-	1	1	1	1	1	1	1320934-3	SUPPORT, TERMINAL		34
-	2	2	2	2	2	2	1-18024-0	SCR, BTN SKT HD CAP (M4 X 20.0)		33
-	1	1	1	1	1	1	18027-2	WASHER, FLAT, REG M4		32
-	1	1	1	1	1	1	1-18023-2	SCR, SKT HD CAP M4 X 12.0		31
-	1	1	1	1	1	1	1-1320908-5	SPACER, STRIP GUIDE		30
-	1	1	1	1	1	1	1633073-1	STRIP GUIDE ASSEMBLY		29
-	1	1	1	1	1	1	455888-6	SPACER, CRIMPER		28
-	2	2	2	2	2	2	1-22284-0	SPRING, COMPRESSION		27
-	1	1	1	1	1	1	356835-1	LEVER, DRAG RELEASE		26
-	1	1	1	1	1	1	240792-1	DRAG, TERMINAL		25
-	1	1	1	1	1	1	1320928-1	PLATE, STRIP GUIDE		24
-	1	1	1	1	1	1	980371-4	SCR, SKT HD SHLDR 5.0 DIA X 6.0		23
-	1	-	1	1	-	1	690472-2	STRIPPER		22
-	1	1	1	1	1	1	1-18023-1	SCR, SKT HD CAP M4 X 10.0		21
-	4	4	4	4	4	4	18025-2	WASHER, SPRG LOCK, REG M4		20
-	-	-	-	-	-	-	690472-1	STRIPPER		19
-	-	-	-	-	-	-	-	-	-	18
-	1	-	-	-	-	-	1338684-2	SHEAR HOLDER, FRONT		17
-	-	-	-	-	-	-	-	-	-	16
-	-	-	-	-	-	-	-	-	-	15
-	-	-	-	-	-	-	-	-	-	14
-	-	-	-	-	-	-	-	-	-	13
-	1	1	1	1	1	1	3-22280-3	SPRING, COMPRESSION		12
-	1	1	1	1	1	1	356885-5	STOP, SHEAR		11
-	-	-	-	-	-	-	1-1320921-0	SHEAR HOLDER, FRONT, CUT		10
-	1	1	1	1	1	1	318707-1	FLOATING SHEAR, FRONT		9
-	1	2	2	2	1	1	2-1633703-1	ANVIL, COMBINATION		8
-	-	-	-	-	-	-	-	-	-	7
-	-	-	-	-	-	-	-	-	-	6
-	1	1	1	1	1	1	1338680-2	DEPRESSOR, SHEAR		5
-	1	1	1	1	1	1	1-238011-0	BLOCK, CRIMPER SPACER		4
-	1	2	2	2	1	1	5-1583690-4	CRIMPER, INSUL 0		3
-	1	1	1	1	1	1	455888-1	SPACER, CRIMPER		2
-	1	2	2	2	1	1	1633738-2	CRIMPER, WIRE		1

-	-	-	-	-	-	-	-	-	-	84
-	-	-	-	-	-	-	-	-	-	83
-	-	-	-	-	-	-	-	-	-	82
-	-	-	-	-	-	-	-	-	-	81
-	-	-	-	-	-	-	-	-	-	80
-	-	-	-	-	-	-	-	-	-	79
-	-	-	-	-	-	-	-	-	-	78
-	-	-	-	-	-	-	-	-	-	77
-	-	-	-	-	-	-	-	-	-	76
-	-	-	-	-	-	-	-	-	-	75
-	-	-	-	-	-	-	-	-	-	74
-77	-76	-72	-71	-6	-2	-1	PART NO	DESCRIPTION	ITEM NO	