

# High Current Chokes

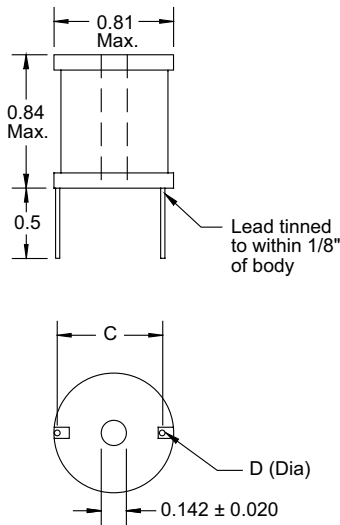
## Special Features

- Very high current capacity
- Low DCR
- Epoxy coated ferrite bobbin core
- VW-1 rated shrink tubing to cover winding
- Self-leaded
- Fixed lead spacing
- Center hole for mechanical mounting
- Dielectric withstanding voltage:  
2500 Vrms terminal to shrink tube cover;  
1000 Vrms terminal to core
- Operating temperature -55 to +105 °C

## Notes

\* Rated current to cause 50 °C max. temperature rise and 5 % max. inductance drop

† RoHS Directive 2002/95/EC Jan 27 2003 including Annex.



Note: Major diameter of #4 screw = 0.112 "

Dimensions: Inches

| 1120 Series  |                            |                  |                          |                      |                   |
|--------------|----------------------------|------------------|--------------------------|----------------------|-------------------|
| Part Number  | L (μH)<br>±20 %<br>@ 1 KHz | DCR<br>Ω<br>Max. | I <sub>dc</sub> *<br>(A) | Dim.<br>C<br>Approx. | Dim.<br>D<br>Nom. |
| 1120-1R0M-RC | 1.0                        | 0.003            | 11.4                     | 0.63                 | 0.072             |
| 1120-1R2M-RC | 1.2                        | 0.003            | 11.4                     | 0.63                 | 0.072             |
| 1120-1R5M-RC | 1.5                        | 0.003            | 11.4                     | 0.63                 | 0.072             |
| 1120-1R8M-RC | 1.8                        | 0.003            | 11.4                     | 0.63                 | 0.072             |
| 1120-2R2M-RC | 2.2                        | 0.004            | 11.4                     | 0.63                 | 0.072             |
| 1120-2R7M-RC | 2.7                        | 0.005            | 11.4                     | 0.63                 | 0.064             |
| 1120-3R3M-RC | 3.3                        | 0.005            | 11.4                     | 0.63                 | 0.064             |
| 1120-3R9M-RC | 3.9                        | 0.005            | 11.4                     | 0.63                 | 0.064             |
| 1120-4R7M-RC | 4.7                        | 0.005            | 11.4                     | 0.63                 | 0.064             |
| 1120-5R6M-RC | 5.6                        | 0.006            | 11.4                     | 0.63                 | 0.064             |
| 1120-6R8M-RC | 6.8                        | 0.007            | 11.4                     | 0.63                 | 0.064             |
| 1120-8R2M-RC | 8.2                        | 0.007            | 11.4                     | 0.63                 | 0.064             |
| ± 10 %       |                            |                  |                          |                      |                   |
| 1120-100K-RC | 10                         | 0.009            | 11.4                     | 0.63                 | 0.064             |
| 1120-120K-RC | 12                         | 0.009            | 11.4                     | 0.63                 | 0.057             |
| 1120-150K-RC | 15                         | 0.013            | 9                        | 0.63                 | 0.057             |
| 1120-180K-RC | 18                         | 0.018            | 7.2                      | 0.63                 | 0.051             |
| 1120-220K-RC | 22                         | 0.019            | 7.2                      | 0.63                 | 0.051             |
| 1120-270K-RC | 27                         | 0.026            | 5.5                      | 0.63                 | 0.051             |
| 1120-330K-RC | 33                         | 0.029            | 5.5                      | 0.60                 | 0.045             |
| 1120-390K-RC | 39                         | 0.030            | 5.5                      | 0.60                 | 0.045             |
| 1120-470K-RC | 47                         | 0.035            | 5.5                      | 0.62                 | 0.045             |
| 1120-560K-RC | 56                         | 0.039            | 5.5                      | 0.62                 | 0.040             |
| 1120-680K-RC | 68                         | 0.053            | 4.8                      | 0.62                 | 0.040             |
| 1120-820K-RC | 82                         | 0.060            | 4.8                      | 0.62                 | 0.040             |
| 1120-101K-RC | 100                        | 0.080            | 4                        | 0.62                 | 0.036             |
| 1120-121K-RC | 120                        | 0.090            | 4                        | 0.62                 | 0.036             |
| 1120-151K-RC | 150                        | 0.098            | 4                        | 0.62                 | 0.032             |
| 1120-181K-RC | 180                        | 0.110            | 4                        | 0.62                 | 0.032             |
| 1120-221K-RC | 220                        | 0.150            | 2.8                      | 0.62                 | 0.032             |
| 1120-271K-RC | 270                        | 0.213            | 2                        | 0.60                 | 0.029             |
| 1120-331K-RC | 330                        | 0.305            | 1.6                      | 0.60                 | 0.029             |
| 1120-391K-RC | 390                        | 0.320            | 1.6                      | 0.60                 | 0.025             |
| 1120-471K-RC | 470                        | 0.355            | 1.6                      | 0.60                 | 0.025             |
| 1120-561K-RC | 560                        | 0.388            | 1.6                      | 0.60                 | 0.025             |
| 1120-681K-RC | 680                        | 0.430            | 1.6                      | 0.60                 | 0.025             |
| 1120-821K-RC | 820                        | 0.590            | 1.3                      | 0.60                 | 0.023             |
| 1120-102K-RC | 1000                       | 0.818            | 1                        | 0.60                 | 0.020             |
| 1120-122K-RC | 1200                       | 1.14             | 0.8                      | 0.60                 | 0.020             |
| 1120-152K-RC | 1500                       | 1.26             | 0.8                      | 0.60                 | 0.020             |
| 1120-182K-RC | 1800                       | 1.39             | 0.8                      | 0.60                 | 0.018             |
| 1120-222K-RC | 2200                       | 1.54             | 0.8                      | 0.60                 | 0.018             |

"-RC" suffix indicates RoHS compliance.

# Mouser Electronics

Authorized Distributor

Click to View Pricing, Inventory, Delivery & Lifecycle Information:

## Bourns:

[1120-100K](#) [1120-101K](#) [1120-102K](#) [1120-120K](#) [1120-121K](#) [1120-122K](#) [1120-150K](#) [1120-152K](#) [1120-180K](#) [1120-181K](#) [1120-182K](#) [1120-1R0M](#) [1120-1R2M](#) [1120-1R5M](#) [1120-1R8M](#) [1120-220K](#) [1120-221K](#) [1120-222K](#) [1120-270K](#) [1120-271K](#) [1120-2R2M](#) [1120-2R7M](#) [1120-330K](#) [1120-331K](#) [1120-390K](#) [1120-391K](#) [1120-3R3M](#) [1120-3R9M](#) [1120-470K](#) [1120-471K](#) [1120-4R7M](#) [1120-560K](#) [1120-561K](#) [1120-5R6M](#) [1120-680K](#) [1120-681K](#) [1120-6R8M](#) [1120-820K](#) [1120-821K](#) [1120-8R2M](#) [1120-151K](#)