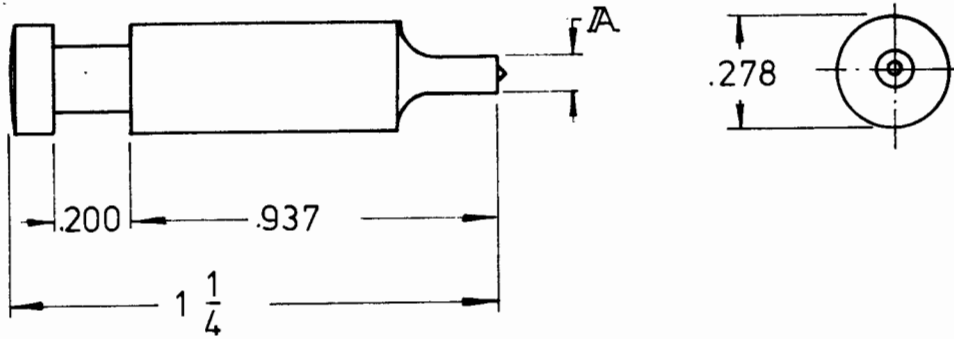
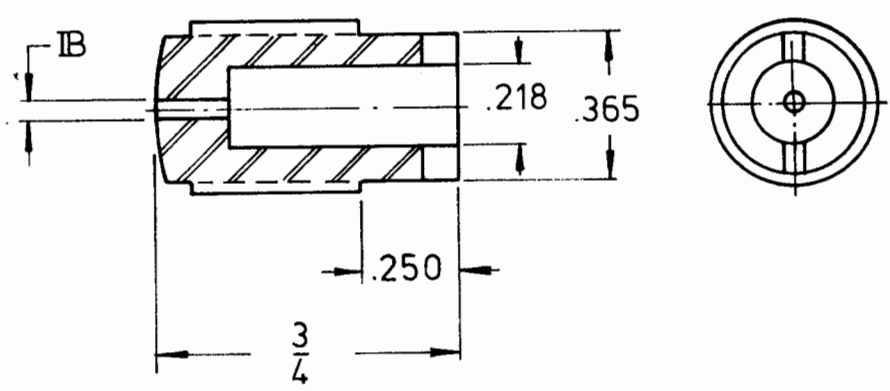


PUNCH



NO.  
CODE  
M

DIE



P/No.	A	IB
1331	.062	.067
1332	.072	.078
1333	.094	.099
1334	.125	.131
1335	.156	.161
1336	.187	.192

~~CONFIDENTIAL~~

<b>KEYSTONE ELECTRONICS CORP.</b> ASTORIA, N.Y. 11105-2017		
PART NAME <b>DIE SET</b>		
MATERIAL <b>STEEL</b>		
FINISH	DRAWN BY <b>L.N.</b>	DATE <b>5.19.82</b>
	APPROVED <b>A.A.</b>	SCALE
TOLERANCES FRACTIONAL $\pm .015$ DECIMAL $\pm .005$ ANGULAR $\pm 1/2^\circ$ UNLESS OTHERWISE NOTED		DWG. NO. <b>1331-1336</b>

DATE	REVISION	ISSUE
------	----------	-------

# Mouser Electronics

Authorized Distributor

Click to View Pricing, Inventory, Delivery & Lifecycle Information:

[Keystone Electronics:](#)

[1334](#) [1336](#) [1332](#) [1333](#) [1331](#) [1335](#)