

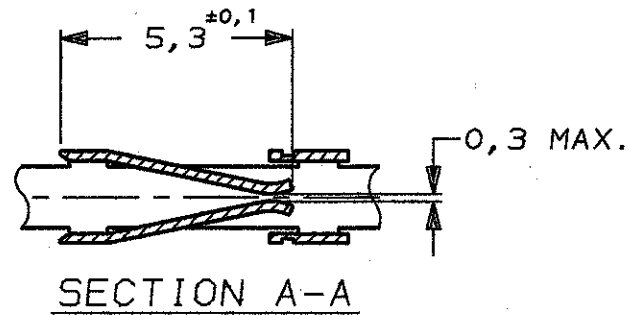
DO NOT SCALE

DIMENSIONS IN mm

METRIC

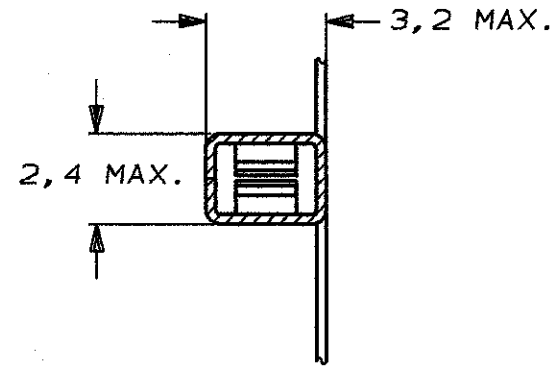
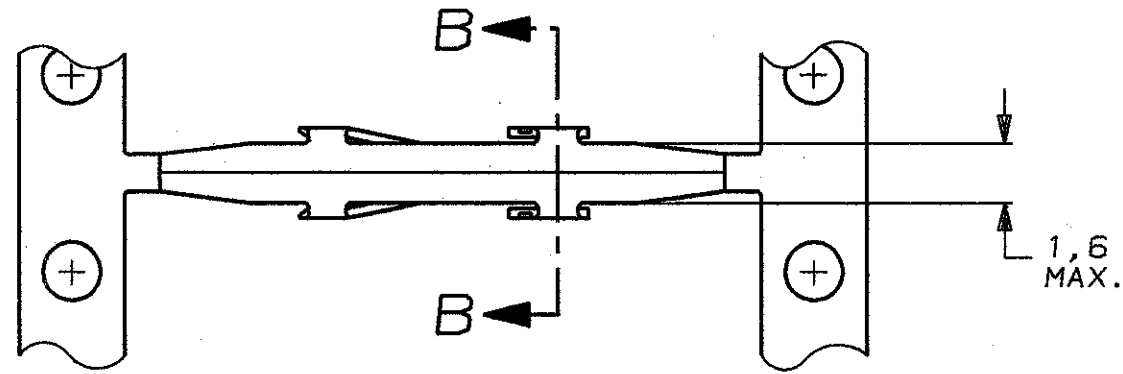
THIRD ANGLE

PROJECTION



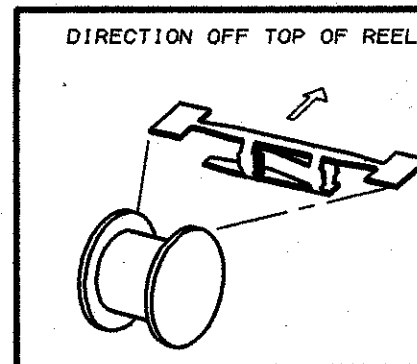
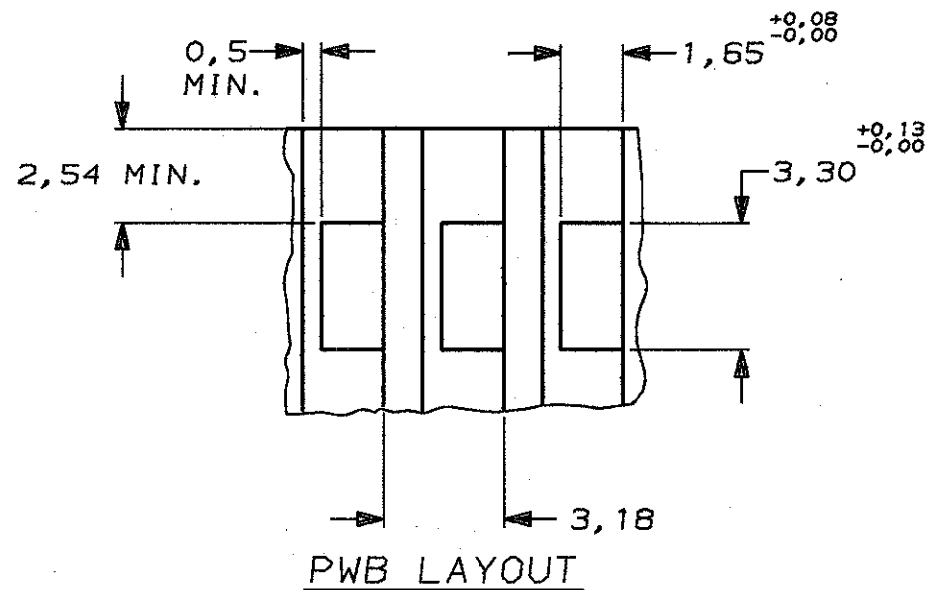
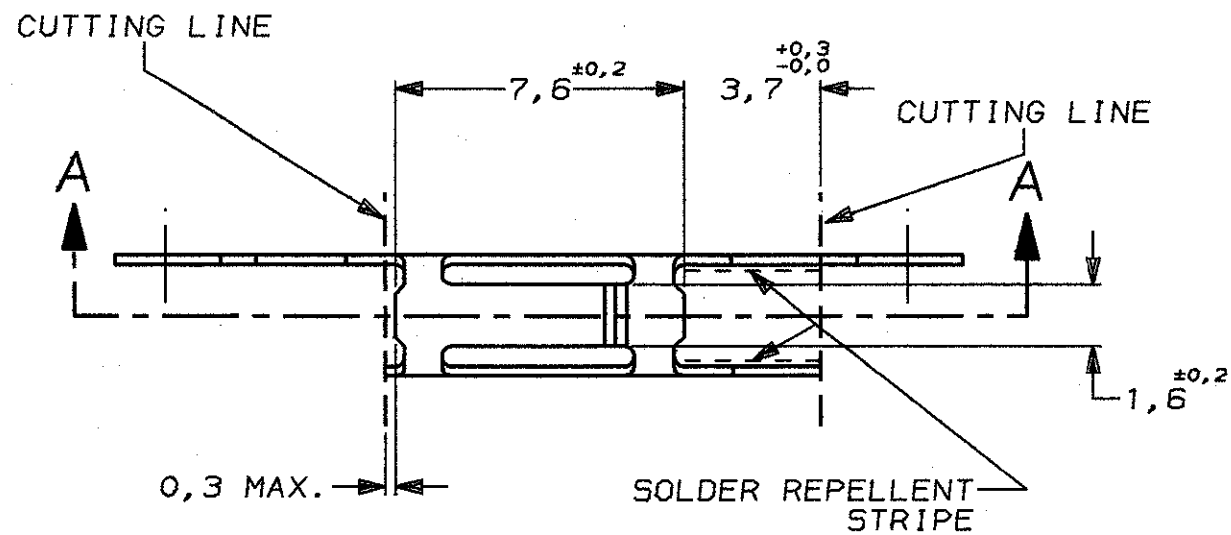
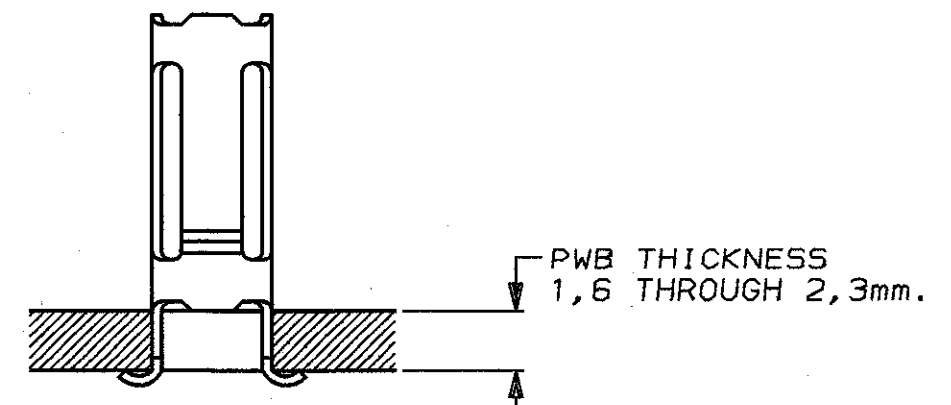
NOTE:

1 MATERIAL: PHOSPHORBRONZE; 0,8µm PRETINNED WITH SOLDER REPELLENT STRIPE.



SECTION B-B

POST ENTRY



DIE FEED
±.003
.500

APPL. FEED
±.003
.500

DIRECTION OFF TOP OF REEL		FINISH		PARTNUMBER STRIP		PARTNUMBER L.P.	
-	-	-	-	-	-	-	-
-	-	-	-	-	-	-	-
-	-	-	-	-	-	-	-
-	-	-	-	-	-	-	-
-	-	-	-	-	-	-	-
-	-	-	-	-	-	-	-
0	EH-0365-93	JvdH	D.S.	07-06-93			
LTR.	REVISION RECORD	DR.	CHK.	DATE			
DR. J.V.D.HEIJDEN.	CHK. D.SNAKMAN.	APP. J.v.SOEST					
DATE: 07-06-93	DATE: -	DATE: 07-06-93					

CUSTOMER DRAWING		FOR REFERENCE ONLY	
© COPYRIGHT 19- BY AMP HOLLAND B.V.		WILL NOT BE UPDATED	
ALL INTERNATIONAL RIGHTS RESERVED. AMP PRODUCTS MAY BE COVERED BY U.S. AND FOREIGN AND/OR PATENTS PENDING.			
THIS DRAWING IS UNPUBLISHED			
RELEASED FOR PUBLICATION			
AMP		AMP HOLLAND B.V. s-Hertogenbosch, The Netherlands.	
NAME AMP MODU MODI FEMALE CONTACT TOP ENTRY (TYPE B)			
DWG.No.	REV.LTR.	SHEET	
C-142166	0	1 OF 1	A3