

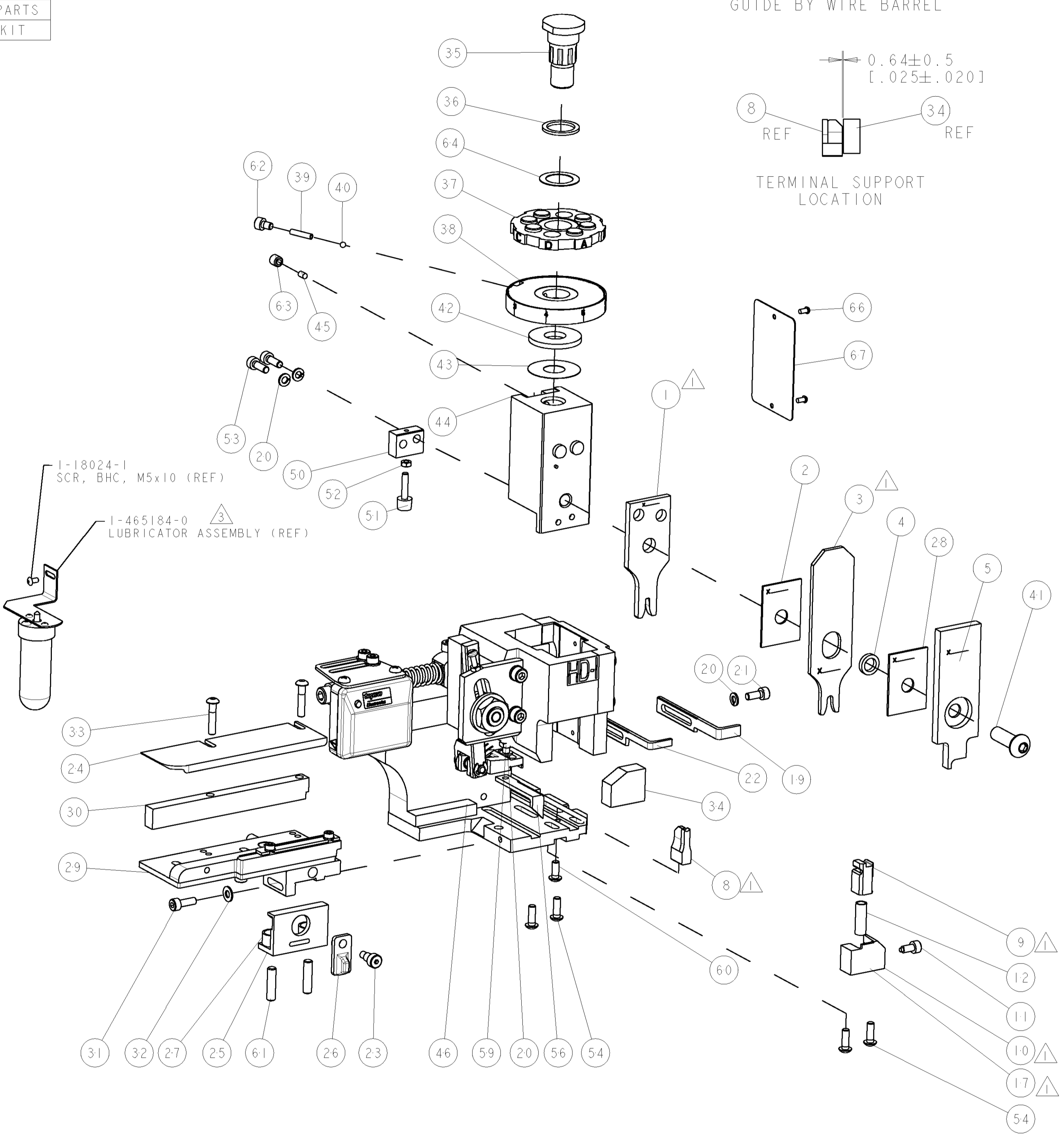
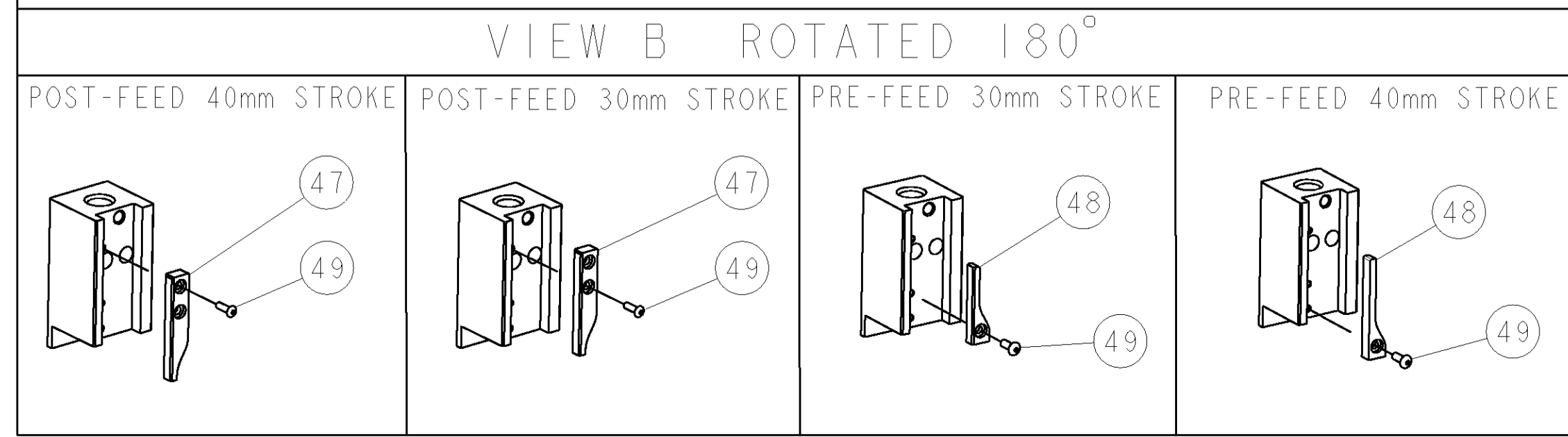
PART NUMBER	REV	TERMINATOR	FEED TYPE	DESCRIPTION
1426569-1	A	LEADMAKER	MECH POST FEED	CUTS CARRIER
1426569-2	A	BENCH	MECH PRE FEED	CUTS CARRIER
1426569-6	A	LEADMAKER	MECH POST FEED	CONTINUOUS CARRIER
7-1426569-1	A	LEADMAKER	MECH POST FEED	-1 AND SPARE PARTS
7-1426569-2	A	BENCH	MECH PRE FEED	-2 AND SPARE PARTS
7-1426569-6	A	LEADMAKER	MECH POST FEED	-6 AND SPARE PARTS
7-1426569-7	A	-	-	SPARE PARTS KIT

CRIMP	SIZE	TYPE	RANGE
WIRE	2.29 [.090 IN]	F	22-18 AWG
INSUL	3.94 [.155 IN]	O	2.03-3.05 [.080-.120 IN]
WIRE STRIP LENGTH	4.40-5.16 [.173-.203 IN]		APPL INSTRUCTIONS 408-8322

TERMINAL APPL SPEC	FEED
114-2036	11.18 [.440 IN]

WIRE SIZE	CRIMP HEIGHT	PINPN & LENGTH [IN]
18 AWG	1.57 ± 0.05 [.062 ± .002 IN]	1-354779-3 [.3055]
20 AWG	1.52 ± 0.05 [.060 ± .002 IN]	1-354779-8 [.3080]
22 AWG	1.45 ± 0.05 [.057 ± .002 IN]	2-354779-4 [.3110]

- △ RECOMMENDED SPARE PARTS.
- 2. GREASE RAM, CAM, CAM FOLLOWER AND FEED ROD LIGHTLY.
- △ CERTAIN TERMINALS REQUIRE LUBRICATION. REFER TO THE APPLICATOR INSTRUCTION SHEET FOR MORE INFORMATION.
- 4. LUBRICATE DAILY PER THE APPLICATOR INSTRUCTION SHEET SUPPLIED WITH THE APPLICATOR.
- △ APPL. SPEC 114-2036 TO BE USED FOR ALL OTHER CRIMP INFORMATION NOT STATED ABOVE.



77	76	72	71	6	2	1	PART NO	DESCRIPTION	ITEM NO
-	-	-	-	-	-	-	-	-	84
-	-	-	-	-	-	-	-	-	83
-	-	-	-	-	-	-	-	-	82
-	-	-	-	-	-	-	-	-	81
-	-	-	-	-	-	-	-	-	80
-	-	-	-	-	-	-	-	-	79
-	-	-	-	-	-	-	-	-	78
-	-	-	-	-	-	-	-	-	77
-	-	-	-	-	-	-	-	-	76
-	-	-	-	-	-	-	-	-	75
-	-	-	-	-	-	-	-	-	74

SET UP GAGE 458637-3		LOC	DIST	REVISONS			
A	66			REV	DATE	BY	APPD
				A	SEE ECO-05-012970	04NOV2005	LJL MC

REV	DATE	BY	APPD	DESCRIPTION	ITEM NO	
-	-	-	-	-	73	
-	-	-	-	-	72	
-	1	1	1	1	1338705-1 DOCUMENTATION PACKAGE	71
-	-	-	-	-	70	
-	-	-	-	-	69	
-	-	-	-	-	68	
-	1	1	1	1	461264-1 PLATE, IDENTIFICATION	67
-	2	2	2	2	21017-2 SCREW, DRIVE	66
-	-	-	-	-	65	
-	1	1	1	1	986950-1 WASHER, FLAT PRECISION	64
-	1	1	1	1	3-18031-0 SCR, SET, CUP POINT M6 X 6.0	63
-	1	1	1	1	18023-9 SCR, SKT HD CAP M4 X 6.0	62
-	2	2	2	2	2-18032-5 SCR, SET, FLT POINT M5 X 20.0	61
-	1	1	1	1	18024-7 SCR, BTN SKT HD CAP (M4 X 10.0)	60
-	1	1	1	1	5-18022-2 SCR, HEX HD CAP M4 X 8.0	59
-	-	-	-	-	58	
-	-	-	-	-	57	
-	1	1	1	1	1338685-1 PAWL, FEED	56
-	-	-	-	-	55	
-	4	4	4	4	18024-8 SCR, BTN SKT HD CAP (M4 X 12.0)	54
-	2	2	2	2	1-18023-2 SCR, SKT HD CAP M4 X 12.0	53
-	1	1	1	1	18030-1 NUT, HEX, REG M3	52
-	1	1	1	1	811242-5 BUMPER, HOLD DOWN	51
-	1	1	1	1	690753-2 SPACER, TONKER	50
-	1	1	1	1	18024-3 SCR, BTN SKT HD CAP (M3 X 10.0)	49
-	1	1	1	1	1338675-1 CAM, UNIVERSAL PRE FEED	48
-	1	1	1	1	1338676-1 CAM, UNIVERSAL POST-FEED	47
-	1	1	1	1	1320999-3 APPLICATOR SUBASSEMBLY, HDI	46
-	1	1	1	1	690191-1 PLUG, NYLON	45
-	1	1	1	1	1338660-1 RAM	44
-	1	1	1	1	690125-1 SHIM SUB-ASSY	43
-	1	1	1	1	690124-1 WASHER, RAM (.115)	42
-	1	1	1	1	2-18024-6 SCR, BTN SKT HD CAP (M8 X 25.0)	41
-	1	1	1	1	23241-1 BALL, STEEL	40
-	1	1	1	1	2-22278-7 SPRING, COMPRESSION	39
-	1	1	1	1	1320922-1 DISC, ADJUST, INSULATION CRIMP	38
-	1	1	1	1	354777-1 WIRE DISC, ASSEMBLY	37
-	1	1	1	1	22480-5 SPRING, COMPRESSION	36
-	1	1	1	1	690212-1 POST, RAM	35
-	1	1	1	1	1320934-9 SUPPORT, TERMINAL	34
-	2	2	2	2	1-18024-0 SCR, BTN SKT HD CAP (M4 X 20.0)	33
-	1	1	1	1	18027-2 WASHER, FLAT, REG M4	32
-	1	1	1	1	1-18023-2 SCR, SKT HD CAP M4 X 12.0	31
-	1	1	1	1	1320908-1 SPACER, STRIP GUIDE	30
-	1	1	1	1	1633073-1 STRIP GUIDE ASSEMBLY	29
-	1	1	1	1	1-455888-0 SPACER, CRIMPER	28
-	2	2	2	2	1-22284-0 SPRING, COMPRESSION	27
-	1	1	1	1	356835-1 LEVER, DRAG RELEASE	26
-	1	1	1	1	240792-1 DRAG, TERMINAL	25
-	1	1	1	1	1320928-1 PLATE, STRIP GUIDE	24
-	1	1	1	1	980371-4 SCR, SKT HD SHLDR 5.0 DIA X 6.0	23
-	1	1	1	1	690472-2 STRIPPER	22
-	1	1	1	1	1-18023-1 SCR, SKT HD CAP M4 X 10.0	21
-	4	4	4	4	18025-2 WASHER, SPRG LOCK, REG M4	20
-	1	1	1	1	690472-1 STRIPPER	19
-	-	-	-	-	18	
-	1	1	1	1	1338684-1 SHEAR HOLDER, FRONT	17
-	-	-	-	-	16	
-	-	-	-	-	15	
-	-	-	-	-	14	
-	-	-	-	-	13	
-	1	1	1	1	5-22280-0 SPRING, COMPRESSION	12
-	1	1	1	1	356885-4 STOP, SHEAR	11
-	1	1	1	1	1320921-1 SHEAR HOLDER, FRONT, CUT	10
-	1	1	1	1	454276-1 FLOATING SHEAR, FRONT	9
1	2	2	2	1	1633132-2 ANVIL, COMBINATION .090	8
-	-	-	-	-	7	
-	-	-	-	-	6	
-	1	1	1	1	3-455889-6 DEPRESSOR, SHEAR	5
-	1	1	1	1	238011-4 BLOCK, CRIMPER SPACER	4
1	2	2	2	1	683454-1 CRIMPER, INSULATION O	3
-	1	1	1	1	455888-9 SPACER, CRIMPER	2
1	2	2	2	1	1-456406-2 CRIMPER, WIRE PREMIUM	1

77	76	72	71	6	2	1	PART NO	DESCRIPTION	ITEM NO
-	-	-	-	-	-	-	-	-	84
-	-	-	-	-	-	-	-	-	83
-	-	-	-	-	-	-	-	-	82
-	-	-	-	-	-	-	-	-	81
-	-	-	-	-	-	-	-	-	80
-	-	-	-	-	-	-	-	-	79
-	-	-	-	-	-	-	-	-	78
-	-	-	-	-	-	-	-	-	77
-	-	-	-	-	-	-	-	-	76
-	-	-	-	-	-	-	-	-	75
-	-	-	-	-	-	-	-	-	74

DIMENSIONS:	TOLERANCES UNLESS OTHERWISE SPECIFIED:
mm [IN]	0 PLC ±
	1 PLC ±
	3 PLC ±
	4 PLC ±
	ANGLES ±

MATERIAL	FINISH	WEIGHT	SCALE	SHEET	OF	REV
-	-	-	3:5	1	1	A

APPROVED	DATE	BY	APPD
M. CLIFFORD	20SEP2005		

NAME	SIZE	CAGE CODE	DRAWING NO	RESTRICTED TO
SIDE FEED HDI APPLICATOR	A1	00779	1426569	-