

Crimpate Range - RSV 1.6

The rectangular connector system RSV 1.6 in 5.00 mm pitch guarantees the highest proven contact reliability during strong vibration. Without any screws: When the connector is plugged in, the pin headers and socket blocks lock together and can only be separated when the release levers are activated.

To achieve the high density of connections required, the RSV 1.6 has been designed utilising crimp technology. This connection technique permits the components to be pre-assembled in large batches. Thus, the crimpate range saves space and combines safe contacts and swift installation.

Two crimp contact systems are available for use with the RSV 1.6: GB/GS - is the low cost "fit-for-use" system. CB/CS - is the high-spec, high vibration resistant, high mating cycles option.

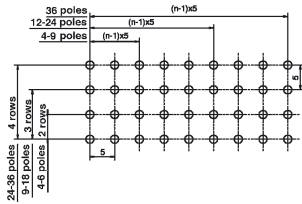
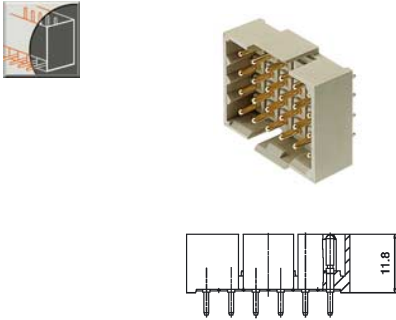
Product features overview:

- vibration-resistant due to a high-quality contact system
- integrated fixing flanges for the printed circuit board headers
- locking latches ensure a secure connection of the socket block to the pin header
- multi-row capability provides a high connection density
- protection against incorrect insertion
- large selection of accessories

Crimpmate Range - RSV 1.6



Pin headers RSV 1.6 LS



Technical Data	VDE	UL	CSA
Rated voltage	V	250*	300 300
Rated current	A	10	10 13

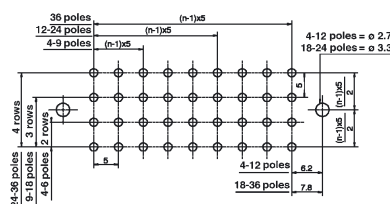
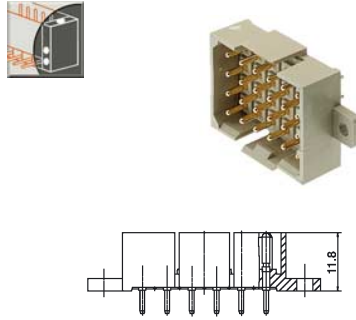
*Overvoltage category III / Pollution severity 3
Additional technical data see page 232

Solder pin length		3.2 mm	4.5 mm		
tin-plated version		●	●		
Colour					
Poles	Type	Cat. No.	Cat. No.	Qty.	
4	RSV 1.6 LS4 SN	1440500000	1413500000	100	
6	RSV 1.6 LS6 SN	1441500000	1414500000	50	
9	RSV 1.6 LS9 SN	1442500000	1415500000	50	
12	RSV 1.6 LS12 SN	1443500000	1416500000	25	
18	RSV 1.6 LS18 SN	1444500000	1417500000	25	
24	RSV 1.6 LS24 SN	1445500000	1418500000	20	
36	RSV 1.6 LS36 SN	1446500000	1419500000	10	

Solder pin length		3.2 mm	4.5 mm		
gold-plated version		●	●		
Colour					
Poles	Type	Cat. No.	Cat. No.	Qty.	
4	RSV 1.6 LS4 AU	1440400000	1413400000	100	
6	RSV 1.6 LS6 AU	1441400000	1414400000	50	
9	RSV 1.6 LS9 AU	1442400000	1415400000	50	
12	RSV 1.6 LS12 AU	1443400000	1416400000	25	
18	RSV 1.6 LS18 AU	1444400000	1417400000	25	
24	RSV 1.6 LS24 AU	1445400000	1418400000	20	
36	RSV 1.6 LS36 AU	1446400000	1419400000	10	

Accessories	Page
Fixing	integrated in product
Marking	-
Coding	198
Miscellaneous	-

Pin headers RSV 1.6 LSF



Technical Data	VDE	UL	CSA
Rated voltage	V	250*	300 300
Rated current	A	10	10 13

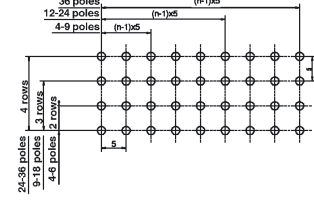
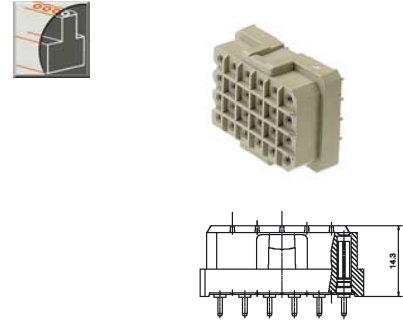
*Overvoltage category III / Pollution severity 3
Additional technical data see page 232

Solder pin length		3.2 mm	4.5 mm		
tin-plated version		●	●		
Colour					
Poles	Type	Cat. No.	Cat. No.	Qty.	
4	RSV 1.6 LSF4 SN	1440900000	1413900000	100	
6	RSV 1.6 LSF6 SN	1441900000	1414900000	50	
9	RSV 1.6 LSF9 SN	1442900000	1415900000	50	
12	RSV 1.6 LSF12 SN	1443900000	1416900000	25	
18	RSV 1.6 LSF18 SN	1444900000	1417900000	25	
24	RSV 1.6 LSF24 SN	1445900000	1418900000	20	
36	RSV 1.6 LSF36 SN	1446900000	1419900000	10	

Solder pin length		3.2 mm	4.5 mm		
gold-plated version		●	●		
Colour					
Poles	Type	Cat. No.	Cat. No.	Qty.	
4	RSV 1.6 LSF4 AU	1440800000	1413800000	100	
6	RSV 1.6 LSF6 AU	1441800000	1414800000	50	
9	RSV 1.6 LSF9 AU	1442800000	1415800000	50	
12	RSV 1.6 LSF12 AU	1443800000	1416800000	25	
18	RSV 1.6 LSF18 AU	1444800000	1417800000	25	
24	RSV 1.6 LSF24 AU	1445800000	1418800000	20	
36	RSV 1.6 LSF36 AU	1446800000	1419800000	10	

Accessories	Page
Fixing	integrated in product
Marking	-
Coding	198
Miscellaneous	-

Socket blocks RSV 1.6 LB



Technical Data	VDE	UL	CSA
Rated voltage	V	250*	300 300
Rated current	A	10	10 13

*Overvoltage category III / Pollution severity 3
Additional technical data see page 232

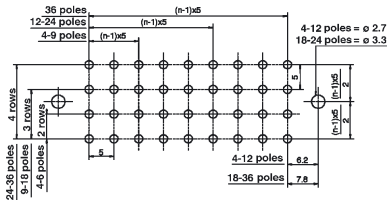
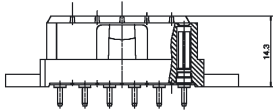
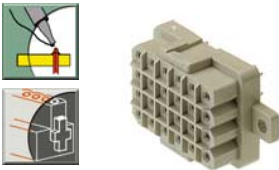
Solder pin length		3.2 mm	4.5 mm		
tin-plated version		●	●		
Colour					
Poles	Type	Cat. No.	Cat. No.	Qty.	
4	RSV 1.6 LB4 SN	1440300000	1413300000	100	
6	RSV 1.6 LB6 SN	1441300000	1414300000	50	
9	RSV 1.6 LB9 SN	1442300000	1415300000	50	
12	RSV 1.6 LB12 SN	1443300000	1416300000	25	
18	RSV 1.6 LB18 SN	1444300000	1417300000	25	
24	RSV 1.6 LB24 SN	1445300000	1418300000	20	
36	RSV 1.6 LB36 SN	1446300000	1419300000	10	

Solder pin length		3.2 mm	4.5 mm		
gold-plated version		●	●		
Colour					
Poles	Type	Cat. No.	Cat. No.	Qty.	
4	RSV 1.6 LB4 AU	1440200000	1413200000	100	
6	RSV 1.6 LB6 AU	1441200000	1414200000	50	
9	RSV 1.6 LB9 AU	1442200000	1415200000	50	
12	RSV 1.6 LB12 AU	1443200000	1416200000	25	
18	RSV 1.6 LB18 AU	1444200000	1417200000	25	
24	RSV 1.6 LB24 AU	1445200000	1418200000	20	
36	RSV 1.6 LB36 AU	1446200000	1419200000	10	

Accessories	Page
Fixing	integrated in product
Marking	-
Coding	198
Miscellaneous	-



Socket blocks RSV 1.6 LBF



Technical Data	VDE	UL	CSA
Rated voltage	V	250*	300 300
Rated current	A	10	10 13

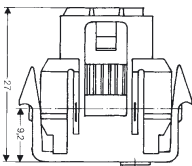
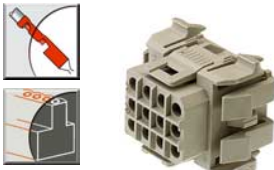
*Overvoltage category III / Pollution severity 3
Additional technical data see page 232

Solder pin length		3.2 mm	4.5 mm		
tin-plated version					
Colour		●	●		
Poles	Type	Cat. No.	Cat. No.	Qty.	
4	RSV 1.6 LBF4 SN	1440700000	1413700000	100	
6	RSV 1.6 LBF6 SN	1441700000	1414700000	50	
9	RSV 1.6 LBF9 SN	1442700000	1415700000	50	
12	RSV 1.6 LBF12 SN	1443700000	1416700000	25	
18	RSV 1.6 LBF18 SN	1444700000	1417700000	25	
24	RSV 1.6 LBF24 SN	1445700000	1418700000	20	
36	RSV 1.6 LBF36 SN	1446700000	1419700000	10	

Solder pin length		3.2 mm	4.5 mm		
gold-plated version					
Colour		●	●		
Poles	Type	Cat. No.	Cat. No.	Qty.	
4	RSV 1.6 LBF4 AU	1440600000	1413600000	100	
6	RSV 1.6 LBF6 AU	1441600000	1414600000	50	
9	RSV 1.6 LBF9 AU	1442600000	1415600000	50	
12	RSV 1.6 LBF12 AU	1443600000	1416600000	25	
18	RSV 1.6 LBF18 AU	1444600000	1417600000	25	
24	RSV 1.6 LBF24 AU	1445600000	1418600000	20	
36	RSV 1.6 LBF36 AU	1446600000	1419600000	10	

Accessories	Page
Fixing	integrated in product
Marking	-
Coding	198
Miscellaneous	-

Socket blocks RSV 1.6B



Technical Data	VDE	UL	CSA
Rated voltage	V	320*	600 600
Rated current	A	13	10 13
Clamping range max.	mm ² /AWG	2.5	12 12

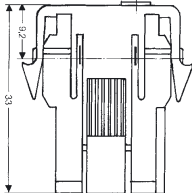
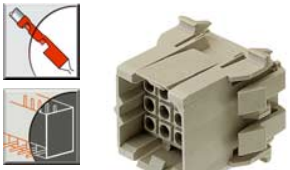
*Overvoltage category III / Pollution severity 3
Additional technical data see page 232

Colour		●		
Poles	Type	Cat. No.	Qty.	
4	RSV 1.6 B4	1413000000	25	
6	RSV 1.6 B6	1414000000	25	
9	RSV 1.6 B9	1415000000	25	
12	RSV 1.6 B12	1416000000	25	
18	RSV 1.6 B18	1417000000	25	
24	RSV 1.6 B24	1418000000	20	
36	RSV 1.6 B36	1419000000	10	

Suitable contact systems listed on next double page.

Accessories	Page
Fixing	integrated in product
Marking	-
Coding	198
Miscellaneous	203, 206, 207

Pin headers RSV 1.6S



Technical Data	VDE	UL	CSA
Rated voltage	V	320*	600 600
Rated current	A	13	10 13
Clamping range max.	mm ² /AWG	2.5	12 12

*Overvoltage category III / Pollution severity 3
Additional technical data see page 232

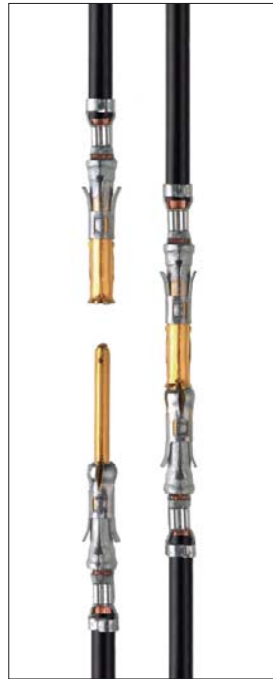
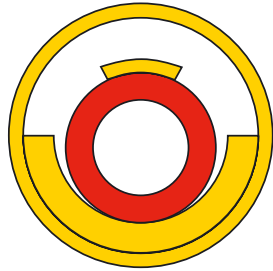
Colour		●		
Poles	Type	Cat. No.	Qty.	
4	RSV 1.6 S4	1413100000	25	
6	RSV 1.6 S6	1414100000	25	
9	RSV 1.6 S9	1415100000	25	
12	RSV 1.6 S12	1416100000	25	
18	RSV 1.6 S18	1417100000	25	
24	RSV 1.6 S24	1418100000	20	
36	RSV 1.6 S36	1419100000	10	

Suitable contact systems listed on next double page.

Accessories	Page
Fixing	integrated in product
Marking	-
Coding	198
Miscellaneous	203, 206, 207

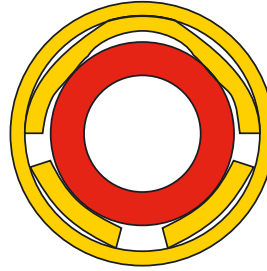
Crimpmate Range
RSV 1.6

Contact system GS/GB



- low cost and reliable contacts
- up to 100 mating cycles (gold-plated version)
- up to 50 mating cycles (tin-plated version)

Contact system CS/CB



- proven crimp contact design with four defined contact points
- locking latch in upper steel spring for non-slip contact fit
- up to 500 mating cycles (gold-plated version)
- up to 100 mating cycles (tin-plated version)

Crimp contacts GS/GB

The contact system GS/GB must not be combined with the CS/CB system!

Cable cross-section mm ²	AWG	Insulation diameter mm	Type
0.32...0.5	22...20	2.0...2.5	Pin
			Socket
0.75...1.5	18...16	2.0 ...3.5	Pin
			Socket

Single contacts tin-plated version

Description	Cat. No.	Qty.
GS 1.6E 22-20 SnPb	1629870000	250
GB 1.6E 22-20 SnPb	1629790000	250
GS 1.6E 18-16 SnPb	1629860000	250
GB 1.6E 18-16 SnPb	1629780000	250

Bandolier tin-plated version

Description	Cat. No.	Qty.
GS 1.6R 22-20 SnPb	1629890000	4500
GB 1.6R 22-20 SnPb	1629810000	4500
GS 1.6R 18-16 SnPb	1629880000	4500
GB 1.6R 18-16 SnPbB	1629800000	4500

Cable cross-section mm ²	AWG	Insulation diameter mm	Type
0.32...0.5	22...20	2.0...2.5	Pin
			Socket
0.75...1.5	18...16	2.0 ...3.5	Pin
			Socket

Single contacts gold-plated version

Description	Cat. No.	Qty.
GS 1.6E 22-20 AU 0.75	1629830000	250
GB 1.6E 22-20 AU 0.75	1629750000	250
GS 1.6E 18-16 AU 0.75	1629820000	250
GB 1.6E 18-16 AU 0.75	1629740000	250

Bandolier gold-plated version

Description	Cat. No.	Qty.
GS 1.6R 22-20 AU 0.75	1629850000	4500
GB 1.6R 22-20 AU 0.75	1629770000	4500
GS 1.6R 18-16 AU 0.75	1629840000	4500
GB 1.6R 18-16 AU 0.75	1629760000	4500

Crimp contacts CS/CB

The contact system CS/CB must not be combined with the GS/GB contact system!

Single contacts
tin-plated version

Bandolier
tin-plated version

Cable cross-section mm ²	AWG	Insulation diameter mm	Type
0.14...0.25	26...24	0.8...1.4	Pin - standard
			Pin - long
			Socket
0.34...0.5	22...20	1.1...1.8	Pin - standard
			Pin - long
			Socket
0.34...0.5	22...20	2.0...2.5	Pin - standard
			Pin - long
			Socket
0.75...1.5	18...16	2.0 ...2.5	Pin - standard
			Pin - long
			Socket
0.75...1.5	18...16	2.0 ...3.5	Pin - standard
			Pin - long
			Socket
2.5	14...12	2.8 ...3.5	Pin - standard
			Pin - long
			Socket
2.5	14...12	2.8 ...4.2	Pin - standard
			Pin - long
			Socket

Description	Cat. No.	Qty.
CS 1.6E 26-24 SN I1.4	1421600000	250
CSL 1.6E 26-24 SN I1.4	1421700000*	250
CB 1.6E 26-24 SN I1.4	1421900000	250
CS 1.6E 22-20 SN I1.8	1423600000	250
CSL 1.6E 22-20 SN I1.8	1423700000*	250
CB 1.6E 22-20 SN I1.8	1423900000	250
CS 1.6E 22-20 SN I2.5	1425600000	250
CSL 1.6E 22-20 SN I2.5	1425700000*	250
CB 1.6E 22-20 SN I2.5	1425900000	250
CS 1.6E 18-16 SN I2.5	1427600000	250
CSL 1.6E 18-16 SN I2.5	1427700000*	250
CB 1.6E 18-16 SN I2.5	1427900000	250
CS 1.6E 18-16 SN I3.5	1582270000	250
CSL 1.6E 18-16 SN I3.5	1582350000*	250
CB 1.6E 18-16 SN I3.5	1582430000	250
CS 1.6E 14-12 SN I3.5	1429600000	250
CSL 1.6E 14-12 SN I3.5	1429700000*	250
CB 1.6E 14-12 SN I3.5	1429900000	250
CS 1.6E 14-12 SN I4.2	1582310000	250
CSL 1.6E 14-12 SN I4.2	1582390000*	250
CB 1.6E 14-12 SN I4.2	1582470000	250

Description	Cat. No.	Qty.
CS 1.6R 26-24 SN I1.4	1421500000	5000
CSL 1.6R 26-24 SN I1.4	1565900000*	5000
CB 1.6R 26-24 SN I1.4	1421800000	5000
CS 1.6R 22-20 SN I1.8	1423500000	5000
CSL 1.6R 22-20 SN I1.8	1565870000*	5000
CB 1.6R 22-20 SN I1.8	1423800000	5000
CS 1.6R 22-20 SN I2.5	1425500000	5000
CSL 1.6R 22-20 SN I2.5	1565840000*	5000
CB 1.6R 22-20 SN I2.5	1425800000	5000
CS 1.6R 18-16 SN I2.5	1427500000	5000
CSL 1.6R 18-16 SN I2.5	1565810000*	5000
CB 1.6R 18-16 SN I2.5	1427800000	5000
CS 1.6R 18-16 SN I3.5	1582280000	3000
CSL 1.6R 18-16 SN I3.5	1582360000*	3000
CB 1.6R 18-16 SN I3.5	1582440000	3000
CS 1.6R 14-12 SN I3.5	1429500000	3000
CSL 1.6R 14-12 SN I3.5	1565780000*	3000
CB 1.6R 14-12 SN I3.5	1429800000	3000
CS 1.6R 14-12 SN I4.2	1582320000	3000
CSL 1.6R 14-12 SN I4.2	1582400000*	3000
CB 1.6R 14-12 SN I4.2	1582480000	3000

* The long pins can be used with the standard pins to provide a leading-earth facility.

* The long pins can be used with the standard pins to provide a leading-earth facility.

Crimpmate Range
RSV 1.6

Single contacts
gold-plated version

Bandolier
gold-plated version

Cable cross-section mm ²	AWG	Insulation diameter mm	Type
0.14...0.25	26...24	0.8...1.4	Pin - standard
			Pin - long
			Socket
0.34...0.5	22...20	1.1...1.8	Pin - standard
			Pin - long
			Socket
0.34...0.5	22...20	2.0...2.5	Pin - standard
			Pin - long
			Socket
0.75...1.5	18...16	2.0 ...2.5	Pin - standard
			Pin - long
			Socket
0.75...1.5	18...16	2.0 ...3.5	Pin - standard
			Pin - long
			Socket
2.5	14...12	2.8 ...3.5	Pin - standard
			Pin - long
			Socket
2.5	14...12	2.8 ...4.2	Pin - standard
			Pin - long
			Socket

Description	Cat. No.	Qty.
CS 1.6E 26-24 AU 0.75I1.4	1420600000	250
CSL 1.6E 26-24 AU 0.75 I1.4	1420700000*	250
CB 1.6E 26-24 AU 0.75 I1.4	1420900000	250
CS 1.6E 22-20 AU 0.75 I1.8	1422600000	250
CSL 1.6E 22-20 AU 0.75 I1.8	1422700000*	250
CB 1.6E 22-20 AU 0.75 I1.8	1422900000	250
CS 1.6E 22-20 AU 0.75 I2.5	1424600000	250
CSL 1.6E 22-20 AU 0.75 I2.5	1424700000*	250
CB 1.6E 22-20 AU 0.75 I2.5	1424900000	250
CS 1.6E 18-16 AU 0.75 I2.5	1426600000	250
CSL 1.6E 18-16 AU 0.75 I2.5	1426700000*	250
CB 1.6E 18-16 AU 0.75 I2.5	1426900000	250
CS 1.6E 18-16 AU 0.75 I3.5	1582250000	250
CSL 1.6E 18-16 AU 0.75 I3.5	1582330000*	250
CB 1.6E 18-16 AU 0.75 I3.5	1582410000	250
CS 1.6E 14-12 AU 0.75 I3.5	1428600000	250
CSL 1.6E 14-12 AU 0.75 I3.5	1428700000*	250
CB 1.6E 14-12 AU 0.75 I3.5	1428900000	250
CS 1.6E 14-12 AU 0.75 I4.2	1582290000	250
CSL 1.6E 14-12 AU 0.75 I4.2	1582370000*	250
CB 1.6E 14-12 AU 0.75 I4.2	1582450000	250

Description	Cat. No.	Qty.
CS 1.6R 26-24 AU 0.75 I1.4	1420500000	5000
CSL 1.6R 26-24 AU 0.75 I1.4	1565880000*	5000
CB 1.6R 26-24 AU 0.75 I1.4	1420800000	5000
CS 1.6R 22-20 AU 0.75 I1.8	1422500000	5000
CSL 1.6R 22-20 AU 0.75 I1.8	1565850000*	5000
CB 1.6R 22-20 AU 0.75 I1.8	1422800000	5000
CS 1.6R 22-20 AU 0.75 I2.5	1424500000	5000
CSL 1.6R 22-20 AU 0.75 I2.5	1565820000*	5000
CB 1.6R 22-20 AU 0.75 I2.5	1424800000	5000
CS 1.6R 18-16 AU 0.75 I2.5	1426500000	5000
CSL 1.6R 18-16 AU 0.75 I2.5	1565790000*	5000
CB 1.6R 18-16 AU 0.75 I2.5	1426800000	5000
CS 1.6R 18-16 AU 0.75 I3.5	1582260000	3000
CSL 1.6R 18-16 AU 0.75 I3.5	1582340000*	3000
CB 1.6R 18-16 AU 0.75 I3.5	1582420000	3000
CS 1.6R 14-12 AU 0.75 I3.5	1428500000	3000
CSL 1.6R 14-12 AU 0.75 I3.5	1565760000*	3000
CB 1.6R 14-12 AU 0.75 I3.5	1428800000	3000
CS 1.6R 14-12 AU 0.75 I4.2	1582300000	3000
CSL 1.6R 14-12 AU 0.75 I4.2	1582380000*	3000
CB 1.6R 14-12 AU 0.75 I4.2	1582460000	3000

* The long pins can be used with the standard pins to provide a leading-earth facility.

* The long pins can be used with the standard pins to provide a leading-earth facility.

