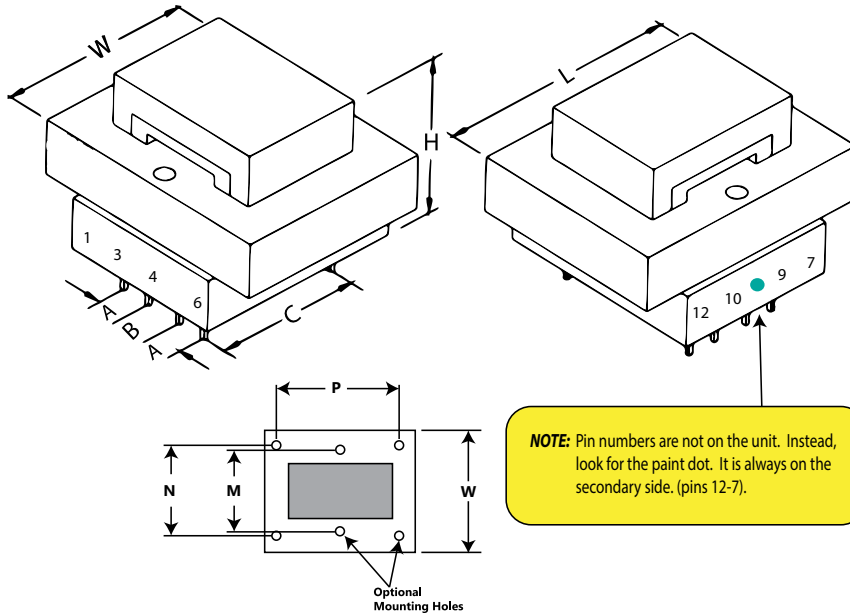


## Low Voltage P.C. Board Mounted Power Transformer



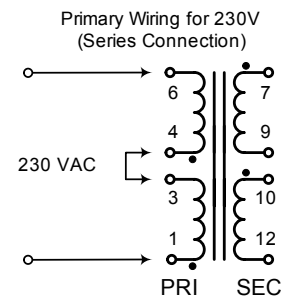
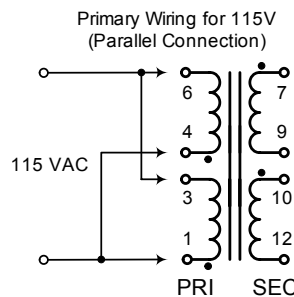
**Key Features:**

- Universal operation on 50/60Hz, 115 or 230V dual primary for worldwide use.
- Low Profile, split bobbin with top shroud design
- Dual winding secondary, non-concentrically wound.
- Low Primary to secondary coupling with no electro-static shield required.
- High Insulation - Hipot of 4,000V RMS
- Class F Insulation - 155 degrees C.
- P.C. Board mount with industry standard pin spacing.
- Agency listings: cURus, CE, and TUV.

Mechanical - inches (mm)	
L	1.63 (41.4)
W	1.44 (36.6)
H	1.13 (28.7)
A	0.2 (5.1)
B	0.25 (6.4)
C	1 (25.4)
M	1.06 (26.9)
N	- (-)
P	- (-)
Pin Size	0.025 (0.6)
Screw Type	#4
Weight	0.17 lbs. / 0.08 kg
Electrical	
Size (VA)	2.5
Primary	115 / 230 VAC
Sec (Series)	28V C.T. @ 0.09A
Sec (Parallel)	14V @ 0.18A

### Connection Information 183 Series Power Transformers

**Primary Connections - 183 Series Transformers**



**Secondary Connections - 183 Series Transformers**

