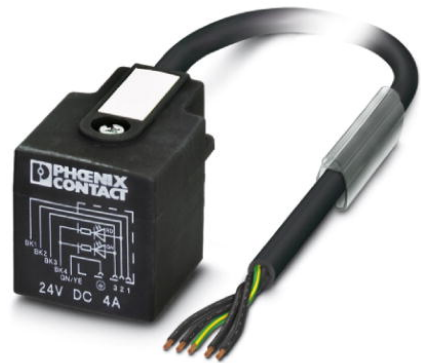



SAC-5P- 3,0-PUR/AD-2L

Order No.: 1435098



<http://eshop.phoenixcontact.de/phoenix/treeViewClick.do?UID=1435098>

Sensor/Actuator cable, 5-position, PUR halogen-free, Black RAL 9005, Free conductor end, on AD valve connector (pressure switch), with 2 LEDs, Cable length: 3 m

Commercial data	
GTIN (EAN)	4 046356 413459 
sales group	D113
Pack	1 pcs.
Customs tariff	85444290
Catalog page information	Page 170 (PC-2011)

Product notes

WEEE/RoHS-compliant since: 05/16/2008



<http://www.download.phoenixcontact.com>
Please note that the data given here has been taken from the online catalog. For comprehensive information and data, please refer to the user documentation. The General Terms and Conditions of Use apply to Internet downloads.

Technical data	
General data	
Rated current at 40°C	4 A
Rated voltage	24 V
Number of positions	5
Volume resistance	≤ 5 mΩ

Insulation resistance	≥ 100 MΩ
Length of cable	3 m
Stripping length of the free conductor end	50 mm
Ambient temperature (operation)	-20 °C ... 85 °C (valve plug)

General characteristics

Surge voltage category	III
Pollution degree	3
Degree of protection	IP65/IP67
Contact material	CuSn
Contact surface material	Sn
Valve plug contact insert material	PA 6
Material, housing, valve plug	TPU
Sealing material	TPU (Seal molded)
Status display	2 LEDs

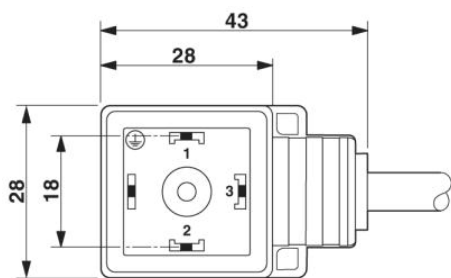
Conductor data

Cable type	PUR halogen-free black
Cable type (abbreviation)	PUR
Cable abbreviation	Li9Y11Y-HF
UL AWM Style	20549
Conductor cross section	0.5 mm ²
AWG signal line	20
Conductor structure signal line	28x 0.15 mm
Core diameter including insulation	1.5 mm ±0.05 mm
External cable diameter	5.3 mm ±0.02 mm
Wire colors	Black 1, black 2, black 3, black 4, green/yellow
External sheath, color	Black-gray RAL 7021
Insulation resistance	Min. 20 MΩ*km
Conductor resistance	39 Ω/km (at 20°C)
Nominal voltage, conductor	300 V
Test voltage, conductor	1200 V
Overall twist	5 cores, twisted
Outer sheath, material	PUR
Material conductor insulation	PP
Conductor material	Bare Cu litz wires

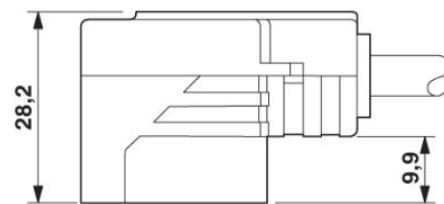
Smallest bending radius, fixed installation	26.5 mm
Smallest bending radius, movable installation	53 mm
Number of bending cycles	15000000
Bending radius	50 mm
Traversing path	0.9 m
Traversing rate	5 m/s
Acceleration	30 m/s ²
Ambient temperature (operation)	-40 °C ... 80 °C (cable, fixed installation)
	-20 °C ... 80 °C (cable, flexible installation)
Special properties	Flexible cable conduit capable
	Silicone-free
	Free of substances which would hinder coating with paint or varnish
Flame resistance	in accordance with DIN UL-Style 20549
Halogen-free	in accordance with DIN VDE 0472 part 815
Resistance to oil	in accordance with DIN EN 60811-2-1
Other resistance	Highly resistant to acids, alkaline solutions and solvents
	hydrolysis and microbe resistant
	Largely oil-resistant

Diagrams/Drawings

Dimensioned drawing

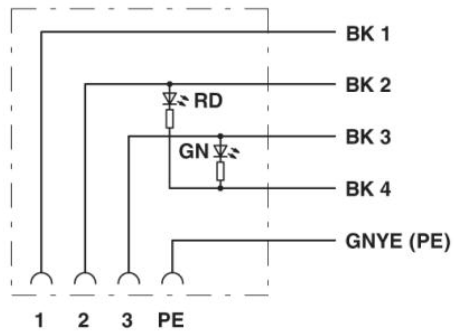


Valve plug type AD



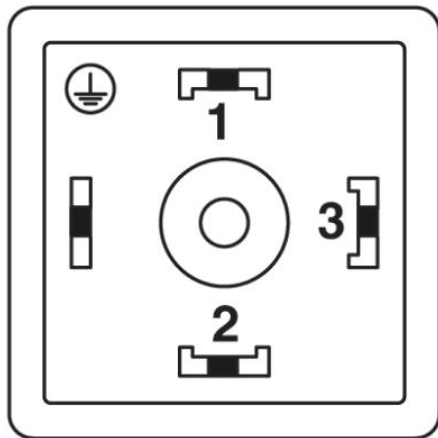
Valve connector, type AD, side view

Circuit diagram



Contact assignment of the valve plug

Schematic diagram



Valve plug connector pin assignment, type AD

Address

PHOENIX CONTACT Inc., USA
586 Fulling Mill Road
Middletown, PA 17057, USA
Phone (800) 888-7388
Fax (717) 944-1625
<http://www.phoenixcon.com>



© 2011 Phoenix Contact
Technical modifications reserved;