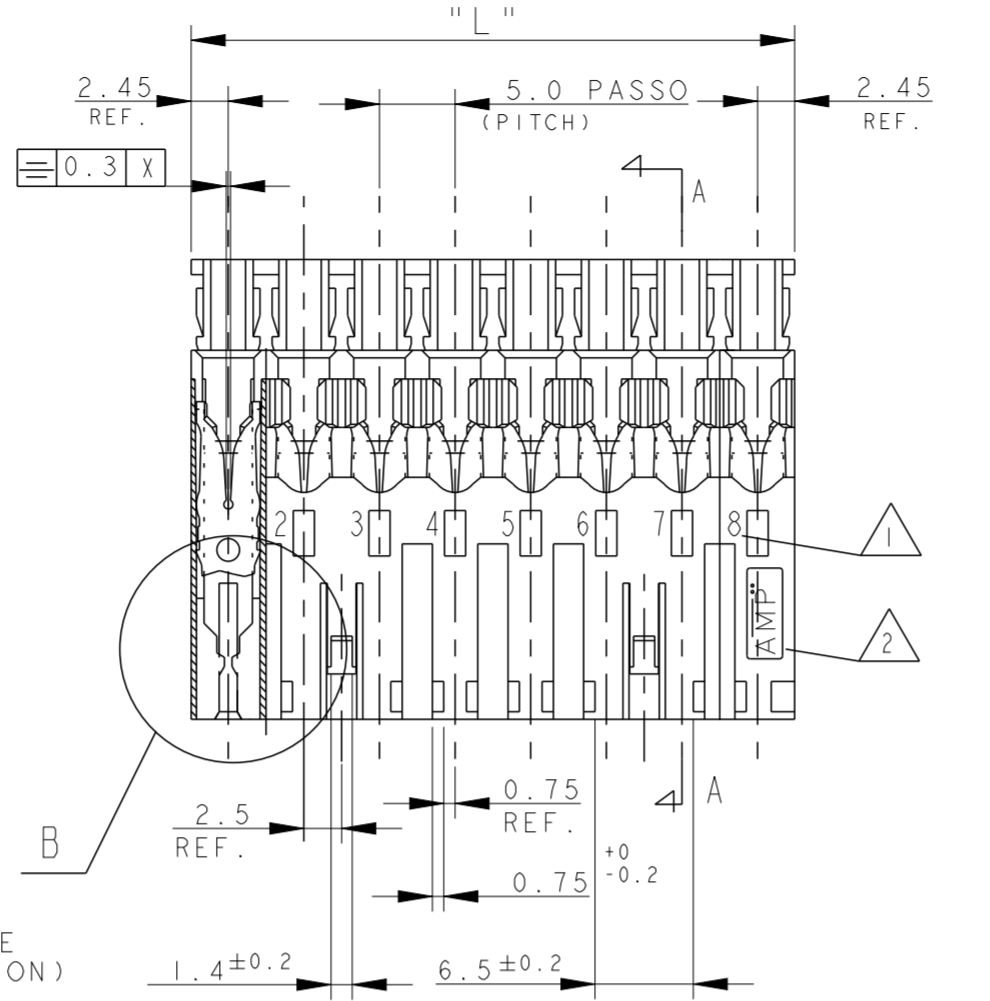
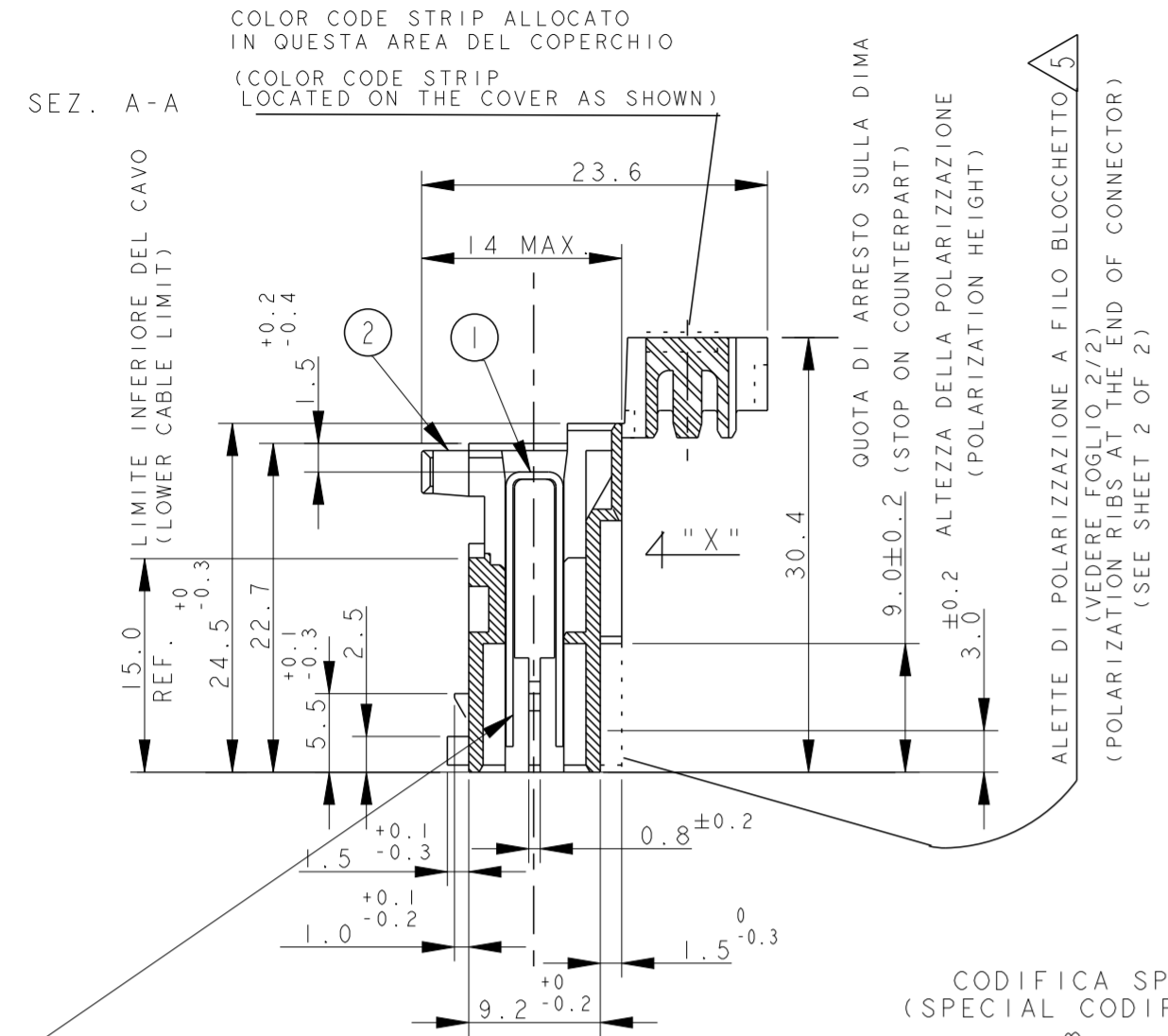


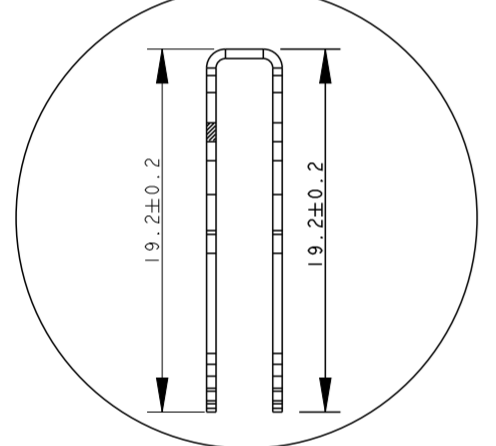
THIS DRAWING IS UNPUBLISHED. RELEASED FOR PUBLICATION  
 © COPYRIGHT 2011 ALL RIGHTS RESERVED.

LOC		DIST		REVISIONS			
P	LTR	DESCRIPTION	DATE	DWN	APVD		
AA13	ECR-15-013057		03SEP2015	FL	RR		
AA14	ECR-15-016708		13NOV2015	FL	RR		
AA15	ECR-16-000697		21JAN2016	FL	RR		
AA16	ECR-16-006177		03MAY2016	FL	RR		

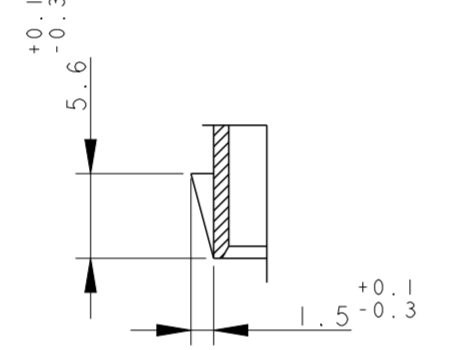
VISTE SOLO PER RIFERIMENTO  
 VIEWS ONLY FOR REFERENCE



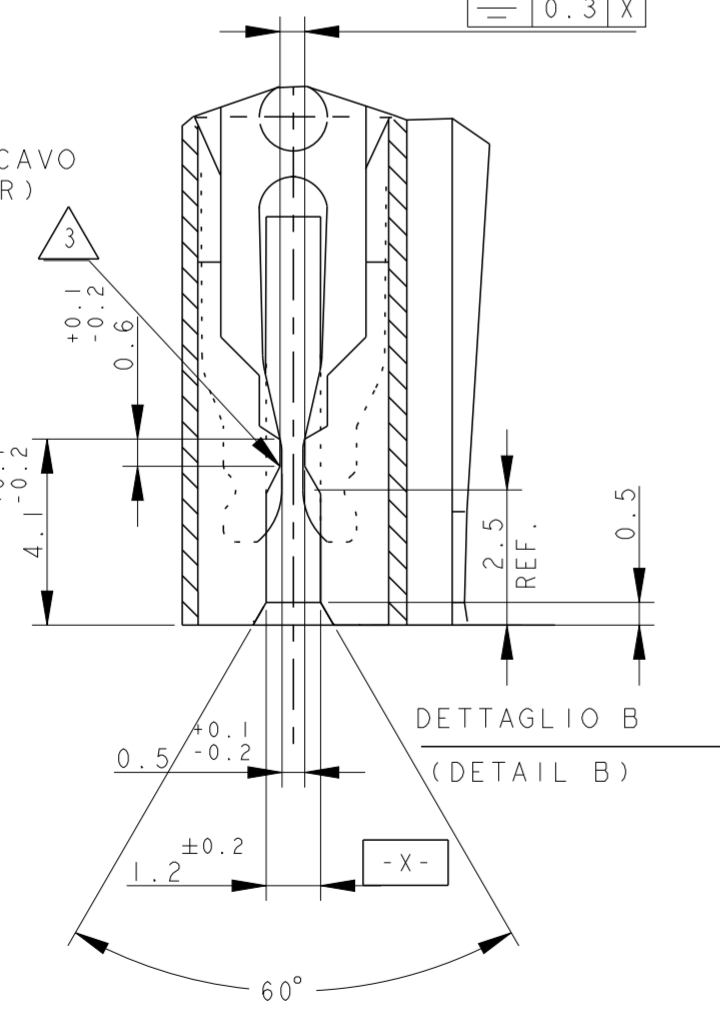
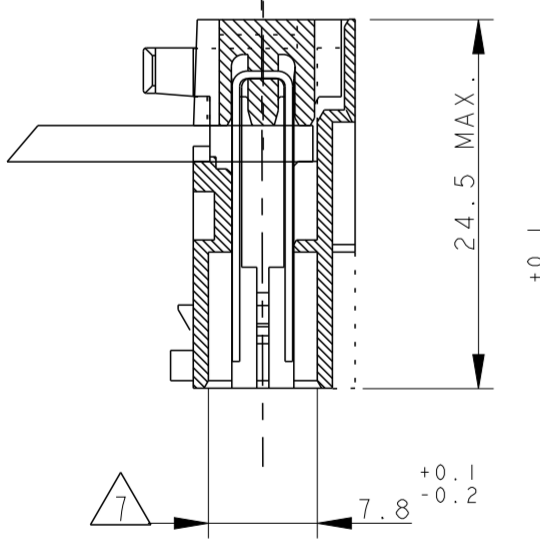
DETTAGLIO DEL CONTATTO, DIMENSIONI RIFERITE AL COMPONENTE INSERITO IN CAVITA' (ENLARGED VIEW OF TAB CONTACT DIM. REFERRED TO CONTACT INSERTED IN THE HOUSING CAVITY)



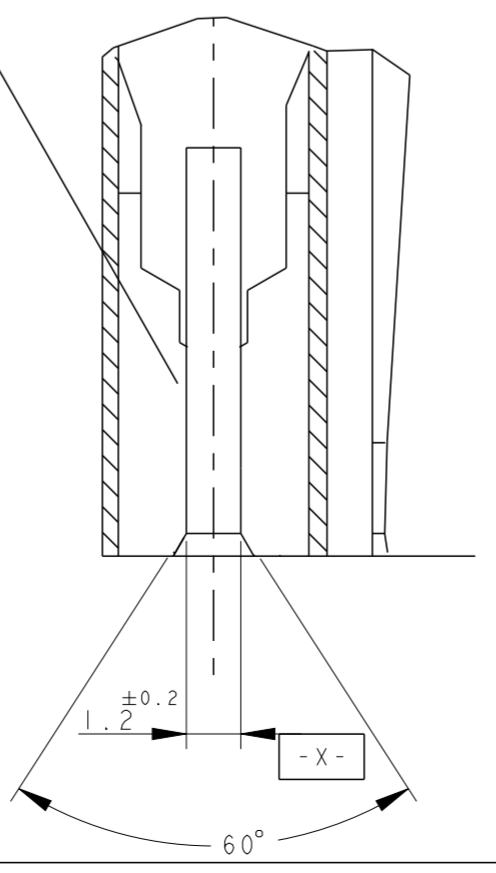
CODIFICA SPECIALE (SPECIAL CODIFICATION)



CONNETTORE COMPLETO DI CAVO (TERMINATED CONNECTOR)

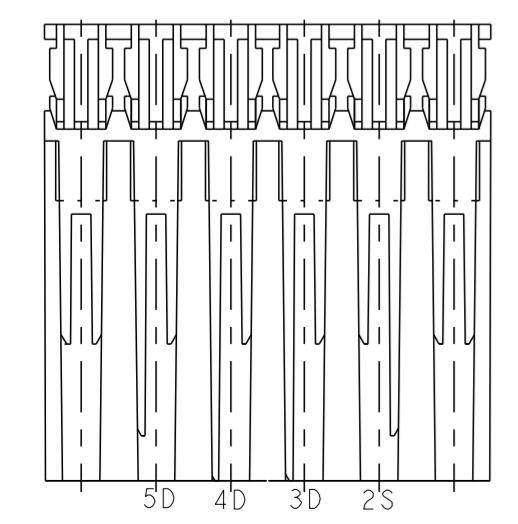


PN X-282002-8  
 PN I-2293382-2  
 (DETAIL "B" FOR CAVITY 1 & 2)



DETAIL PN/s:  
 1-282006-3  
 2-282006-3  
 3-282006-3

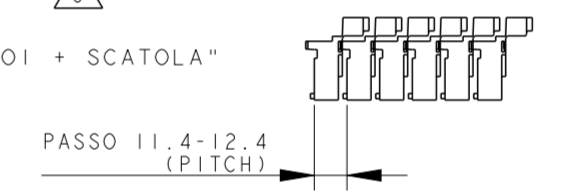
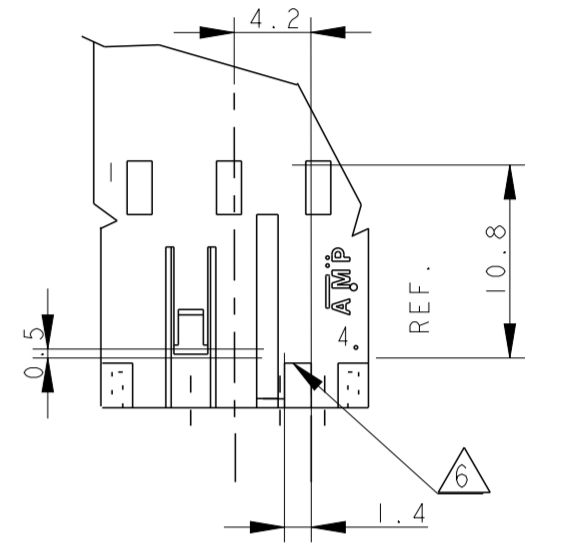
POLARIZATION KEYS (VIEW FROM "X")



NOTE/NOTES:

- 1 NUMERI DI IDENTIFICAZIONE CAVITA' (CIRCUIT IDENTIFICATION)
- 2 MARCHIO DI FABBRICA LIBERA POSIZIONE (AMP LOGO FREE POSITION)
- 3 RETENTION TOOTH IS REQUESTED FOR THE 2 AND 3 POS. ONLY; IT IS LOCATED ON THE CAVITY N.1 ONLY, EXCEPTION MADE FOR PN X-282002-8 AND PN I-2293382-2 FOR THIS PN, CAVITY 1 IS WITHOUT RETENTION TOOTH AND HAS THE SAME DESIGN AS THE CAVITY N.2
- 4 PN NON ANCORA IN PRODUZIONE (PN NOT YET RELEASED FOR PRODUCTION)
- 5 PER QUESTI P/N LA POLARIZZAZIONE POSTERIORE DEVE INTENDERSI COMPLETA, A FINE BLOCCHETTO (per la rappresentazione vedere foglio 1/2) (FOR THE INDICATE P/N THE POLARIZATION MUST BE AT THE END OF CONNECTOR (see sheet 2 of 2))
- 6 CODIFICA CON DIFFERENTE DIMENSIONE (CODIFICATION WITH DIFFERENT DIMENSION)
- 7 DIVENTA 6.5 PER LA CAVITA' N. 1 SOLO SUI CONNETTORI A 2,3,4, VIE. (BECOMES 6.5. FOR THE CAVITY N.1 ON THE 2,3,4, POS. ONLY.)
- 8 INCLUDE LA POLARIZZAZIONE DOVE E' ESISTENTE (INCLUDING POLARIZATION KEY, WHEN EXISTING)
- 9 DETAIL FOR PN X-282002-8 AND PN I-2293382-2, SPECIAL VERSION, SEE ALSO NOTE 3
- 10 P/N NON RILASCIATO PER LA PRODUZIONE (P/N NOT YET RELEASED FOR PRODUCTION)
- 11 ---
- 12 GEOMETRIA ALTERNATIVA DEL DENTINO DI AGGANCIAMENTO VEDI NOTA 3 PER ALTRI DETTAGLI (ALTERNATIVE SHAPE FOR RETENTION TOOTH, SEE NOTE 3 FOR ADDITIONAL DETAILS)
- 13 STATO DI FORNITURA: CONFEZIONAMENTO IN "VASSOI + SCATOLA" (PACKAGING: "ON TRAY PLUS CARTON BOX")
- 14 CONFEZIONAMENTO IN BOBINA OBSOLETO (PACKAGING: ON REEL OBSOLETE)
- 15 OBSOLETE PARTS: OBSOLETE CIS STREAMLINING PER D.RENAUD/D.SINISI

DETAIL FOR PN 0-282233-2 ONLY



ITEM	DENOMINAZIONE (DESCRIPTION)	FINITURA / COLORE (FINISH / COLOUR)	MATERIALE (MATERIAL)
2	BLOCCHETTO (HOUSING)	NATURALE (NATURAL)	PA 6.6 CARICATO VETRO (POLIAMIDE 6.6 GLASSFIBER FILLED)
1	CONTATTO (CONTACT)	STAGNATO (TIN-PLATED)	OTTONE (BRASS)

THIS DRAWING IS A CONTROLLED DOCUMENT.

DIMENSIONS: mm

TOLERANCES UNLESS OTHERWISE SPECIFIED: 0.3

MATERIAL: SEE TABLE

FINISH: SEE TABLE

DWN: G. ENDRIZZI 23 JUL 1995

CHK: G. TURCO 23 JUL 1995

APVD: G. TURCO 23 JUL 1995

PRODUCT SPEC: 108-20065-1, 108-20065-2

APPLICATION SPEC: 114-20016, 114-20016-1

WEIGHT: -

Customer Drawing

NAME: MONO-SHAPE MK1 TAB CONNECTORS 2-10 POS.

SIZE: A2

CAGE CODE: 0779

DRAWING NO: C-282002

RESTRICTED TO: -

SCALE: -

SHEET 1 OF 4

REV AA16

THIS DRAWING IS UNPUBLISHED. RELEASED FOR PUBLICATION  
 © COPYRIGHT 2011 ALL RIGHTS RESERVED.

LOC	DIST	REVISIONS			
P	LTR	DESCRIPTION	DATE	DWN	APVD
-	-	SEE SHEET 1			

VISTE SOLO PER RIFERIMENTO  
 VIEWS ONLY FOR REFERENCE

NUMERO DI VIE	CONFIGURAZIONE (Vista connettore dall'alto)	TE PART NUMBER ASSY CONN.		POSIZIONE POLARIZ. (LATO POSTERIORE)	POSIZIONE AGGANCI O (LATO ANTERIORE)	POSIZIONE CODIFICA SPECIALE (LATO ANTERIORE)	L ±0.2 L-0.3 (mm)	NOTE MARCHIATURA CON BANDA COLORATA	CODICI RAST 5 RICAVABILI		
		VERSIONE PEZZI IN VASSOIO	VERSIONE PEZZI SCIOLTI								
NO. OF POS.	CONFIGURATION (View from top side)	TRAY PACKAGING VERSION	PART REV.	LOOSE PIECES PACKAGING VERSION	PART REV.	POLARIZ. POSITION (BACK SIDE)	LOCKING POSITION (FRONT SIDE)	SPECIAL COD POSITION (FRONT SIDE)	NOTE STRIP COLOUR	RAST 5 OBTAINABLE CODE	
2		1-282002-1	V	2-282002-1	V	2S	1-2	-	9.9	NERO BLACK	02-C
2		1-282002-2	V	2-282002-2	V	1S 2D	1-2	-	9.9	GRIGIO GREY	02-B 02-E 02-F
2		1-282002-3	V	<del>2-282002-3</del>	V	2D	1-2	-	9.9	ROSSO RED	02-L
2		1-282002-4	V	<del>2-282002-4</del>	V	1D 2S	1-2	-	9.9	BLU BLUE	02-A
2		1-282002-5	V	2-282002-5	V	1D	1-2	-	9.9	NERO BLACK	02-O
2		1-282002-6	V	2-282002-6	V	-	1-2	-	9.9	NERO BLACK	-
2		1-282002-7	V	<del>2-282002-7</del>	V	-	1-2	-	9.9	-	OBSOLETE
2		1-282002-8	V	<del>2-282002-8</del>	V	1S 2D	1-2	-	9.9	VERDE GREEN	02-B 02-E 02-F
3		1-284396-1	Z	-	-	2S	2-3	-	14.9	NERO BLACK	-
3		1-282003-1	V	<del>2-282003-1</del>	V	1D	1-2	-	14.9	ARANCIO ORANGE	03-A 03-I
3		1-282003-2	V	<del>2-282003-2</del>	V	2D 3D	2-3	-	14.9	BLU BLUE	03-B
3		1-282003-3	V	<del>2-282003-3</del>	V	1S 3D	1-2	-	14.9	VERDE GREEN	03-F
3		0-282233-2	V	2-282233-2	V	1S	1-2	-	14.9	-	03-D
3		1-282003-4	V	<del>2-282003-4</del>	V	2D 3D	2-3	-	14.9	ROSSO RED	03-B
3		1-282003-5	V	2-282003-5	V	2D 3D	2-3	-	14.9	GRIGIO GREY	03-B
3		1-282003-6	V	2-282003-6	V	-	1-2	-	14.9	VIOLA VIOLET	-
3		1-282003-7	V	-	-	2D 3D	2-3	-	14.9	NERO BLACK	03-B
4		1-282004-1	V	<del>2-282004-1</del>	V	1D	1-2 3-4	2D	19.9	GRIGIO GREY	04-A
4		1-282004-2	V	2-282004-2	V	3D	2-3	-	19.9	NERO BLACK	04-D
4		1-282004-3	V	<del>2-282004-3</del>	V	1D	1-2 3-4	2D	19.9	ROSSO RED	04-A
4		1-282004-4	S	-	-	3D 4D	1-2 3-4	-	19.9	BLU BLUE	-
5		1-282005-1	V	2-282005-1	V	4D	4-5	-	24.9	ROSSO RED	-
5		1-284545-1	Z	-	-	2S	4-5	-	24.9	ROSSO RED	-
5		1-293003-5	Z	-	-	-	4-5	-	24.9	NERO BLACK	-
5		1-284545-2	A	-	-	1S 5D	-	3D	24.9	-	-
5		1-284545-3	A	-	-	1S 5D	1-2 3-4	-	24.9	BLU BLUE	-

2		5-282002-2	I	-	-	1S, 2D	1-2	-	9.9	YELLOW	02-B 02-E 02-F
---	--	------------	---	---	---	--------	-----	---	-----	--------	----------------------

4		3-282004-4	I	-	-	1S, 4D	1-2 3-4	-	19.9	-	-
---	--	------------	---	---	---	--------	------------	---	------	---	---

### LEGENDA (DESCRIPTION)

AMP MONO-SHAPE, TAB CONNECTORS (ESEMPIO DI CONFIGURAZIONE) (EXAMPLE OF CONFIGURATION)

AGGANCI O (LOCKING LANCE)  
 CODIFICA (CODIFICATION)  
 POLARIZZAZIONE (POLARIZATION)  
 POLARIZZAZIONE (POLARIZATION)  
 AGGANCI O (LOCKING LANCE)  
 CODIFICA SPECIALE (SPECIAL CODIFICATION)

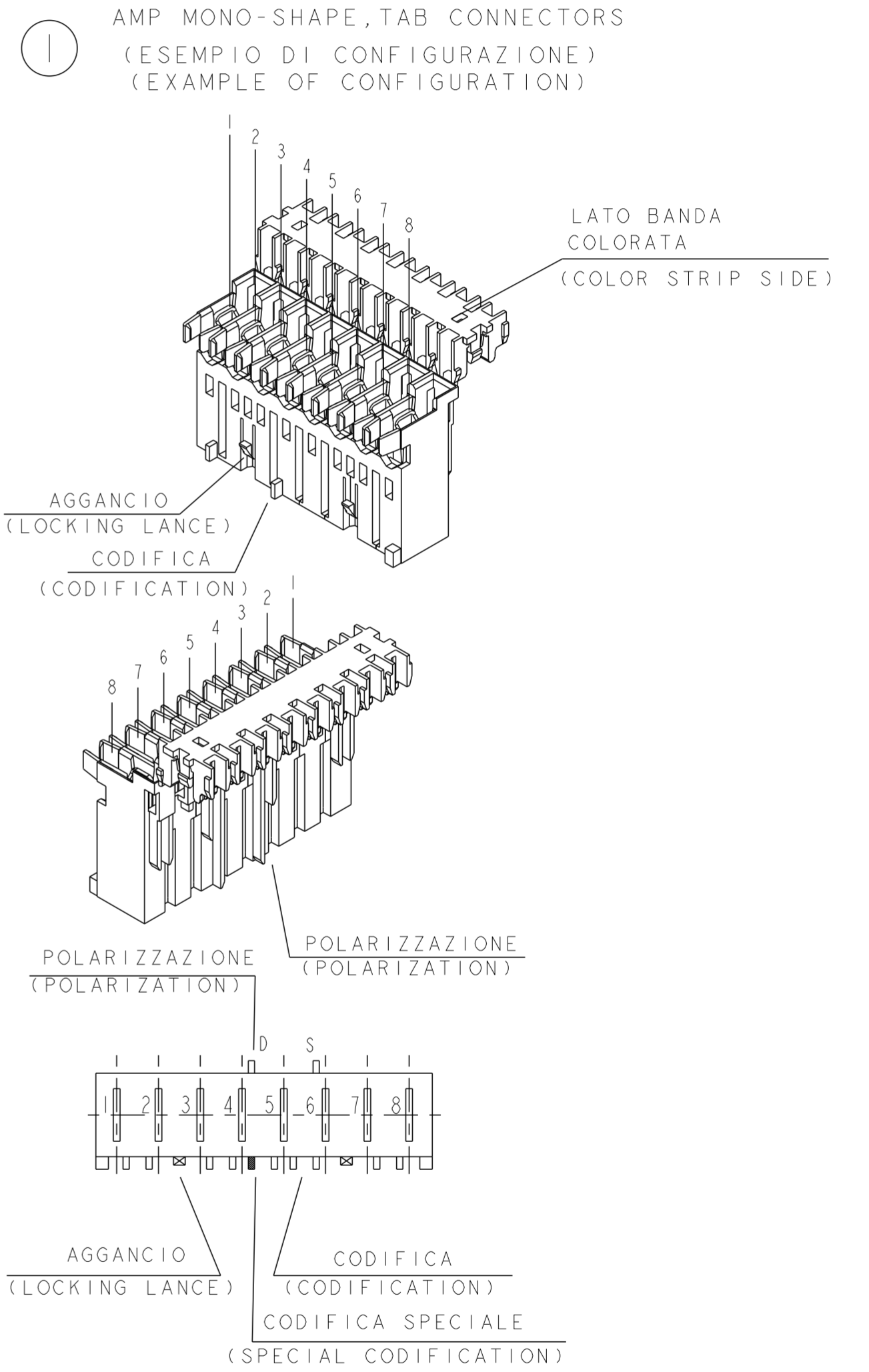
THIS DRAWING IS A CONTROLLED DOCUMENT.		DWN G. ENDRIZZI 23 JUL 1995	TE Connectivity MONO-SHAPE MK1 TAB CONNECTORS 2-10 POS.	RESTRICTED TO		
DIMENSIONS: mm		CHK G. TURCO 23 JUL 1995		NAME	-	
TOLERANCES UNLESS OTHERWISE SPECIFIED:		APVD G. TURCO 23 JUL 1995		SIZE	CAGE CODE	DRAWING NO
0 PLC ±		PRODUCT SPEC		A2	0779	G-282002
1 PLC ±		108-20065-1, 108-20065-2	SCALE	NO	SHEET 2 OF 4	
2 PLC ±		APPLICATION SPEC	NO	NO	REV AA16	
3 PLC ±		114-20016, 114-20016-1	Customer Drawing	NO	REV AA16	
4 PLC ±		WEIGHT	NO	NO	REV AA16	
ANGLES			NO	NO	REV AA16	
FINISH			NO	NO	REV AA16	
SEE TABLE			NO	NO	REV AA16	
SEE TABLE			NO	NO	REV AA16	

THIS DRAWING IS UNPUBLISHED. RELEASED FOR PUBLICATION  
 © COPYRIGHT 2011 ALL RIGHTS RESERVED.

LOC	DIST	REVISIONS			
P	LTR	DESCRIPTION	DATE	DWN	APVD
-	-	SEE SHEET 1			

VISTE SOLO PER RIFERIMENTO  
 VIEWS ONLY FOR REFERENCE

LEGENDA  
 (DESCRIPTION)



TE PART NUMBER ASSY CONN.

NUMERO DI VIE	CONFIGURAZIONE (Vista connettore dall'alto)	TE PART NUMBER ASSY CONN.				POSIZIONE POLARIZ. (LATO POSTERIORE)	POSIZIONE AGGANCIO (LATO ANTERIORE)	POSIZIONE CODIFICA SPECIALE (LATO ANTERIORE)	L ±0.2 / L -0.3 (mm)	NOTE MARCHIATURA CON BANDA COLORATA	CODICI RAST 5 RICAVABILI	OBSOLETE
		VERSIONE PEZZI IN VASSOIO	PART REV.	VERSIONE PEZZI SCIOLTI	PART REV.							
NO. OF POS.	CONFIGURATION (View from top side)	TRAY PACKAGING VERSION	PART REV.	LOOSE PIECES PACKAGING VERSION	PART REV.	POLARIZ. POSITION (BACK SIDE)	LOCKING POSITION (FRONT SIDE)	SPECIAL COD. POSITION (FRONT SIDE)	L ±0.2 / L -0.3 (mm)	NOTE STRIP COLOUR	RAST 5 OBTAINABLE CODE	
6		1-282006-2	V	<del>2-282006-2</del>	V	2S 5D	2-3	-	29.9	VIOLA VIOLET	-	OBSOLETE
6		1-282006-3	V	<del>2-282006-3</del>	V	2S 3D 4D 5D	4-5	-	29.9	-	-	OBSOLETE
6		2-282006-4	V	-	-	3D 5D	-	5S	29.9	NERO BLACK	-	
6		1-284745-1	Z	-	-	6D	4-5	-	29.9	ROSSO RED	-	
7		1-282007-1	V	<del>2-282007-1</del>	V	1D 5D	1-2 5-6	3S	34.9	-	-	OBSOLETE
7		1-284397-1	Z	-	-	2D	1-2 5-6	-	34.9	NERO BLACK	-	
7		2-293004-7	I	-	-	-	1-2 5-6	-	34.9	GRIGIO GREY	-	
7		1-293004-7	Z	-	-	-	1-2 5-6	-	34.9	ROSSO RED	-	
7		2-282007-2	V	-	-	4D 6D	-	6S	34.9	VIOLA VIOLET	-	
8		0-284085-1	V	<del>2-284085-1</del>	V	2D 6S 4D 6D	-	4S	39.9	-	-	OBSOLETE
8		0-284085-2	V	<del>2-284085-2</del>	V	-	2-3	-	39.9	VIOLA VIOLET	-	OBSOLETE
10		1-282010-1	V	2-282010-1	V	6D 8S	4-5 8-9	6S	49.9	-	-	
10		0-284004-1	V	-	-	6D 8S	4-5 8-9	6S	49.9	-	-	
6		1-284745-2	I	-	-	6D	-	4D	29.9	RED	-	
7		3-282007-2	I	-	-	-	1-2 5-6	5S	34.9	-	-	

THIS DRAWING IS A CONTROLLED DOCUMENT.		DWN G. ENDRIZZI 23 JUL 1995		TE Connectivity	
DIMENSIONS: mm		CHK G. TURCO 23 JUL 1995		NAME	
TOLERANCES UNLESS OTHERWISE SPECIFIED:		APVD G. TURCO 23 JUL 1995	MONO-SHAPE MK1 TAB CONNECTORS 2-10 POS.		
0 PLC ±		PRODUCT SPEC	SIZE	CAGE CODE	DRAWING NO
1 PLC ± > 0.3		108-20065-1, 108-20065-2	A2	p0779	C-282002
2 PLC ±		APPLICATION SPEC	RESTRICTED TO		
3 PLC ±		114-20016, 114-20016-1	SCALE	SHEET	OF
4 PLC ±		WEIGHT	NO	3	4
ANGLES ±		Customer Drawing	REV	AA16	
FINISH					

THIS DRAWING IS UNPUBLISHED. RELEASED FOR PUBLICATION  
 © COPYRIGHT 2011 ALL RIGHTS RESERVED.

LOC		DIST		REVISIONS			
P	LTR	DESCRIPTION	DATE	DWN	APVD		
-	-	SEE SHEET 1					

### PA GF, UL-V0 GWPT 750° C NO FLAME, NATURAL

No. of POS.	CONFIGURATION ONLY FOR REF	ON TRAY		LOOSE PIECES		SEE SHEET 1 FOR ADDITIONAL DETAILS AND NOTES					
		P/N ASS'Y	PART REV.	P/N ASS'Y	PART REV.	POLARIZ. POSITION (BACK SIDE)	LOCKING POSITION (FRONT SIDE)	SPECIAL CODIFICAT. POSITION (FRONT SIDE)	L (mm)	COLOR CODE	RAST 5 OBTAINABLE CODE
2		2293382-2	AA			1S 2D	1-2	-	9.9		02-B 02-E 02-F
2		1-2293382-2	AA			1S 2D	1-2	-	9.9	GREEN	02-B 02-E 02-F
2		2-2293382-2	I			TBD	TBD	TBD	9.9		-
2		3-2293382-2	AA			1D 2S	1-2	-	9.9	BLU BLUE	02-A
3		2293382-3	AA			2S	2-3	-	14.9		-
3		1-2293382-3	AA			-	1-2	-	14.9	VIOLET	-
3		2-2293382-3	AA			1D	1-2	-	14.9	ARANCIO ORANGE	03-A 03-I
4		2293382-4	AA			1D	1-2 3-4	2D	19.9	GREY	04-A
4		1-2293382-4	AA			1S 4D	1-2 3-4	-	19.9		-
4		2-2293382-4	I			TBD	TBD	TBD	19.9		-
5		2293382-5	AA			-	4-5	-	24.9		-
6		2293382-6	I			TBD	TBD	TBD	29.9		-
7		2293382-7	I			-	1-2 5-6	-	34.9		-
8		2293382-8	I			TBD	TBD	TBD	39.9		-
9		2293382-9	I			TBD	TBD	TBD	44.9		-
10		1-2293382-0	I			TBD	TBD	TBD	49.9		-

3

10

10

10

10

10

10

10

THIS DRAWING IS A CONTROLLED DOCUMENT.		DWN G. ENDRIZZI 23 JUL 1995	TE Connectivity MONO-SHAPE MK1 TAB CONNECTORS 2-10 POS.	
DIMENSIONS: mm		CHK G. TURCO 23 JUL 1995		
TOLERANCES UNLESS OTHERWISE SPECIFIED:		APVD G. TURCO 23 JUL 1995	NAME	
		PRODUCT SPEC	108-20065-1, 108-20065-2	
0 PLC ± 1 PLC ± 2 PLC ± 3 PLC ± 4 PLC ± ANGLES ± FINISH ±		APPLICATION SPEC	114-20016, 114-20016-1	
MATERIAL		WEIGHT	SIZE CAGE CODE DRAWING NO RESTRICTED TO	
SEE TABLE		Customer Drawing	A20779C-282002	
SEE TABLE		SCALE	NO SHEET 4 OF 4 REV AA16	