

PLEASE CHECK WWW.MOLEX.COM FOR LATEST PART INFORMATION

Part Number: [130118-0015](#)
Status: **Active**
Overview: Aero-Motive® Box-Track Festoon Systems
Description: Box Track, Festoon Joint Hanger

Documents:

[RoHS Certificate of Compliance \(PDF\)](#)

General

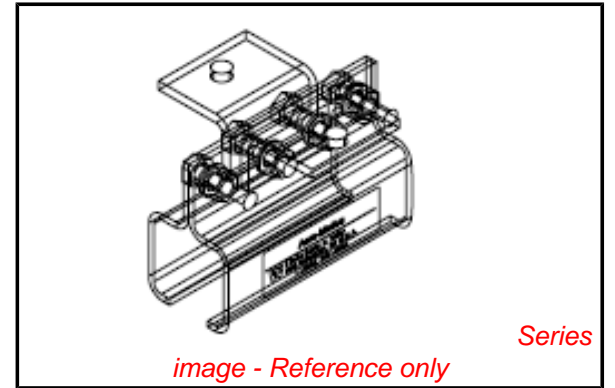
Product Family	Festoons
Series	130118
Component Type	Bracket - Hanger
Depth	N/A
Duty	Heavy
Height	N/A
Length	N/A
Overview	<u>Aero-Motive® Box-Track Festoon Systems</u>
Product Name	Aero-Motive®
Type	Box Track
UPC	78678863187
Woodhead	Yes

Physical

Material - Coating	Zinc
Material - Metal	Galvanized Steel
Net Weight	537.730/g
Packaging Type	Individual Carton
Saddle Radius	N/A
Thread Size	N/A
Travel Speed - Maximum	53.34 mpm (175 fpm)
Wire/Cable Type	N/A

Material Info

Old Part Number	5400JH
-----------------	--------



EU RoHS

**ELV and RoHS
Compliant**

REACH SVHC

Not Reviewed

Low-Halogen Status

Not Reviewed

China RoHS



**Need more information on product
environmental compliance?**

Email productcompliance@molex.com
 For a multiple part number RoHS Certificate of
 Compliance, [click here](#)

Please visit the [Contact Us](#) section for any
 non-product compliance questions.

Search Parts in this Series

130118Series