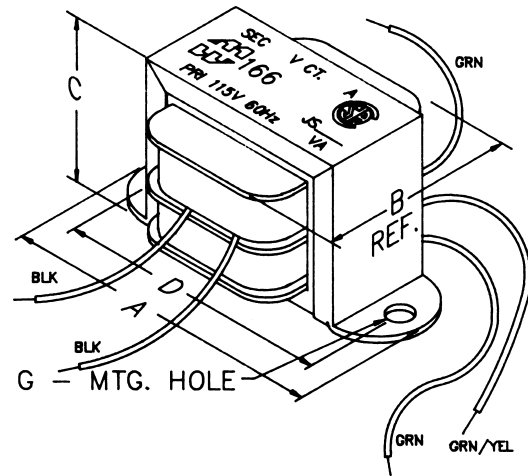




## OPEN STYLE FILAMENT & L.V. RECTIFIER USE TRANSFORMERS

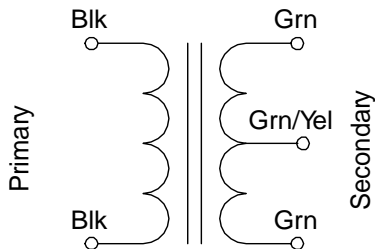
- Primary 115 VAC, 60 Hz.
- All secondaries center tapped, VAC (RMS)
- Open style, channel bracket, two hole chassis mount.
- Minimum 6" long leads.
- Dual bobbin design - no electrostatic shield required.
- Class B insulation (130 degrees, C)
- Hi-Pot test of 2,000V RMS.
- UL listed (# E50394) & CSA certified (# LR3902).



### Dimension Table

Mtg. Style	Dimensions				Mtg. Hole
	A	B	C	D	
C0H	1.35	0.69	0.69	1.06	.125
C1H	1.63	0.88	0.81	1.38	.125
C2H	2.06	1.25	1.19	1.75	.187
C3H	2.06	1.38	1.19	1.75	.187
C4H	2.38	1.38	1.38	2.00	.187
C5H	2.38	1.50	1.38	2.00	.187
C6H	2.81	1.50	1.69	2.38	.187
C7H	2.81	1.63	1.69	2.38	.187
C8H	3.25	1.63	2.00	2.81	.187
C9H	3.25	1.75	2.00	2.81	.187
C10H	3.25	2.00	2.00	2.81	.187
C11H	3.69	1.88	2.31	3.13	.187
C12H	3.69	2.00	2.31	3.13	.187
C13H	3.69	2.13	2.31	3.13	.187
C14H	4.03	2.25	2.63	3.56	.187
C15H	4.03	2.50	2.63	3.56	.187
C16H	4.50	2.50	2.88	4.00	.203

### Transformer Schematic



Primary 115 VAC 60 Hz.

Cat. No.	Secondary (RMS)		Dim. Ref.
	VAC	Amps	
<b>166F2</b>	2.5ct	0.25	C2H
<b>166G2</b>	2.5ct	0.50	C2H
<b>166J2</b>	2.5ct	1.00	C3H
<b>166K2</b>	2.5ct	1.50	C4H
<b>166L2</b>	2.5ct	2.50	C6H
<b>166M2</b>	2.5ct	3.00	C6H
<b>166Q2</b>	2.5ct	6.00	C8H
<b>166S2</b>	2.5ct	10.00	C12H
<b>166F5</b>	5.0ct	0.25	C2H
<b>166G5</b>	5.0ct	0.50	C3H
<b>166J5</b>	5.0ct	1.00	C5H
<b>166L5</b>	5.0ct	2.00	C7H
<b>166MS</b>	5.0ct	3.00	C9H
<b>166R5</b>	5.0ct	8.00	C12H
<b>166RS</b>	5.0ct	8.00	C16H
<b>166S5</b>	5.0ct	10.00	C13H
<b>166U5</b>	5.0ct	15.00	C14H
<b>166V5</b>	5.0ct	20.00	C16H
<b>166E6</b>	6.3ct	0.15	C2H
<b>166F6</b>	6.3ct	0.30	C3H
<b>166G6</b>	6.3ct	0.60	C4H
<b>166J6</b>	6.3ct	1.00	C6H
<b>166K6</b>	6.3ct	1.20	C6H
<b>166L6</b>	6.3ct	2.00	C7H
<b>166N6</b>	6.3ct	4.00	C9H
<b>166Q6</b>	6.3ct	6.00	C12H
<b>166S6</b>	6.3ct	10.00	C14H
<b>166G7</b>	7.0ct	0.70	C5H
<b>166U7</b>	7.5ct	15.00	C16H
<b>166G8</b>	8.0ct	0.50	C4H
<b>166J8</b>	8.5ct	1.00	C6H
<b>166L8</b>	8.5ct	2.00	C8H
<b>166M8</b>	8.5ct	3.00	C9H
<b>166N8</b>	8.5ct	4.00	C10H
<b>166G9</b>	9.0ct	0.50	C4H
<b>166F10</b>	10.0ct	0.30	C3H
<b>166G10</b>	10.0ct	0.50	C5H
<b>166J10</b>	10.0ct	1.00	C7H
<b>166L10</b>	10.0ct	2.00	C9H
<b>166M10</b>	10.0ct	3.00	C10H
<b>166N10</b>	10.0ct	4.00	C12H
<b>166P10</b>	10.0ct	5.00	C13H
<b>166R10</b>	10.0ct	8.00	C15H
<b>166S10</b>	10.0ct	10.00	C16H
<b>166P11</b>	11.0ct	5.00	C13H
<b>166S11</b>	11.0ct	10.00	C16H
<b>166C12</b>	6.3/12.6ct	.1/.05	C2H
<b>166E12</b>	12.0ct	0.15	C3H
<b>166K12</b>	12.0ct	1.20	C8H
<b>166F12</b>	12.6ct	0.30	C4H
<b>166G12</b>	12.6ct	0.50	C6H
<b>166J12</b>	12.6ct	1.00	C7H
<b>166L12</b>	12.6ct	2.50	C10H
<b>166N12</b>	12.6ct	4.00	C13H
<b>166Q12</b>	12.6ct	6.00	C14H
<b>166R12</b>	12.6ct	8.00	C16H
<b>166E14</b>	14.0ct	0.15	C3H
<b>166G14</b>	14.0ct	0.50	C6H

Primary 115 VAC 60 Hz.

Cat. No.	Secondary (RMS)		Dim. Ref.
	VAC	Amps	
<b>166J14</b>	14.0ct	1.00	C7H
<b>166L14</b>	14.0ct	2.00	C10H
<b>166Q14</b>	14.0ct	6.00	C15H
<b>166F16</b>	16.0ct	0.25	C4H
<b>166G16</b>	16.0ct	0.50	C6H
<b>166J16</b>	16.0ct	1.00	C8H
<b>166L16</b>	16.0ct	2.20	C10H
<b>166M16</b>	16.0ct	3.00	C13H
<b>166B18</b>	9.0/18.0ct	.06/.03	C2H
<b>166K18</b>	18.0ct	1.50	C9H
<b>166M18</b>	18.0ct	3.00	C13H
<b>166P18</b>	18.0ct	5.00	C15H
<b>166D20</b>	20.0ct	0.1	C3H
<b>166E20</b>	20.0ct	0.15	C3H
<b>166F20</b>	20.0ct	0.30	C5H
<b>166G20</b>	20.0ct	0.50	C7H
<b>166J20</b>	20.0ct	1.00	C9H
<b>166L20</b>	20.0ct	2.00	C11H
<b>166L22</b>	22.0ct	2.00	C13H
<b>166A24</b>	12.6/25.2ct	.05/.025	C2H
<b>166C24</b>	24.0ct	.085	C3H
<b>166L24</b>	24.0ct	2.00	C13H
<b>166N24</b>	24.0ct	4.00	C16H
<b>166D25</b>	25.0ct	0.10	C3H
<b>166E25</b>	25.0ct	0.15	C4H
<b>166F25</b>	25.0ct	0.30	C6H
<b>166G25</b>	25.0ct	0.50	C7H
<b>166J25</b>	25.0ct	1.0	C9H
<b>166K25</b>	25.0ct	1.5	C11H
<b>166L25</b>	25.0ct	2.00	C13H
<b>166M25</b>	25.0ct	3.00	C14H
<b>166F28</b>	28.0ct	0.25	C6H
<b>166G28</b>	28.0ct	0.50	C7H
<b>166J28</b>	28.0ct	1.00	C10H
<b>166L28</b>	28.0ct	2.00	C13H
<b>166E30</b>	30.0ct	0.15	C4H
<b>166F30</b>	30.0ct	0.25	C6H
<b>166G30</b>	30.0ct	0.50	C8H
<b>166J33</b>	33.0ct	1.00	C10H
<b>166K35</b>	35.0ct	1.50	C13H
<b>166E36</b>	36.0ct	0.15	C5H
<b>166F36</b>	36.0ct	0.30	C7H
<b>166G36</b>	36.0ct	0.50	C8H
<b>166J36</b>	36.0ct	1.00	C11H
<b>166L42</b>	42.0ct	2.00	C15H
<b>166E44</b>	44.0ct	0.15	C6H
<b>166F44</b>	44.0ct	0.25	C7H
<b>166G44</b>	44.0ct	0.50	C9H
<b>166J44</b>	44.0ct	1.00	C12H
<b>166C50</b>	50.0ct	0.075	C4H
<b>166F50</b>	50.0ct	0.30	C8H
<b>166G50</b>	50.0ct	0.50	C9H
<b>166J50</b>	50.0ct	1.00	C13H
<b>166L50</b>	50.0ct	2.00	C16H
<b>166G60</b>	60.0ct	0.50	C10H
<b>166G80</b>	80.0ct	0.50	C11H
<b>166G100</b>	100.0ct	0.50	C13H
<b>166F120</b>	120.0ct	0.30	C11H

**CANADA**

Phone: (519) 822-2960 Fax: (519) 822-0715

**USA**

Phone: (716) 651-0086 Fax: (716) 651-0726



© 2000

**HAMMOND MANUFACTURING™**  
www.hammondmfg.com