

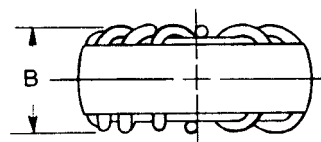
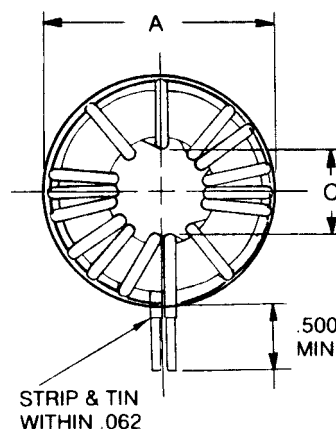
EMI / RFI Toroid (1540 Series)

Chokes



HIGH CURRENT TOROID INDUCTORS

- Ideal for EMI/RFI filtering applications
- Suitable for energy storage inductors for switching power supplies.
- High current
- Minimum .5" long leads, for P.C. board mounting.



Selection Table

| Part No. | Inductance Ls +/- 15% @ 0A D.C. uH | Rated D.C. Amps | Minimum Inductance at rated D.C. uH | D.C. Resistance max. Ohms | D.C. Amps for 0.8 Ls | Dimensions | | | Typ. Lead Dia. (In.) |
|----------|------------------------------------|-----------------|-------------------------------------|---------------------------|----------------------|-----------------|-----------------|-----------------|----------------------|
| | | | | | | A Max. (Inches) | B Max. (Inches) | C Min. (Inches) | |
| 1540M01 | 10 | 11 | 5 | 0.008 | 7.5 | 0.875 | 0.437 | 0.187 | 0.064 |
| 1540M02 | 25 | 5.5 | 12 | 0.014 | 3.25 | 0.875 | 0.437 | 0.187 | 0.040 |
| 1540M03 | 125 | 2.75 | 70 | 0.12 | 1.5 | 0.875 | 0.437 | 0.187 | 0.020 |
| 1540M04 | 275 | 2 | 150 | 0.24 | 1.3 | 0.875 | 0.437 | 0.187 | 0.016 |
| 1540M05 | 450 | 1.5 | 250 | 0.49 | 0.8 | 0.875 | 0.437 | 0.187 | 0.012 |
| 1540M06 | 25 | 9 | 15 | 0.012 | 5.5 | 1.125 | 0.562 | 0.312 | 0.064 |
| 1540M07 | 75 | 5 | 40 | 0.04 | 3 | 1.125 | 0.562 | 0.312 | 0.036 |
| 1540M08 | 400 | 2.25 | 225 | 0.33 | 1.4 | 1.125 | 0.562 | 0.312 | 0.018 |
| 1540M09 | 800 | 1.75 | 475 | 0.64 | 1 | 1.125 | 0.562 | 0.312 | 0.015 |
| 1540M10 | 1000 | 1.5 | 575 | 0.98 | 0.9 | 1.125 | 0.562 | 0.312 | 0.012 |
| 1540M11 | 50 | 9.5 | 25 | 0.012 | 6 | 1.25 | 0.625 | 0.375 | 0.064 |
| 1540M12 | 150 | 4.75 | 85 | 0.046 | 2.5 | 1.25 | 0.625 | 0.375 | 0.036 |
| 1540M13 | 700 | 2.25 | 400 | 0.42 | 1.25 | 1.25 | 0.625 | 0.375 | 0.018 |
| 1540M14 | 1250 | 1.75 | 750 | 0.85 | 1 | 1.25 | 0.625 | 0.375 | 0.015 |
| 1540M15 | 1600 | 1.5 | 950 | 1.27 | 0.8 | 1.25 | 0.625 | 0.375 | 0.012 |
| 1540M16 | 125 | 7.75 | 65 | 0.032 | 5.25 | 1.812 | 0.750 | 0.750 | 0.064 |
| 1540M17 | 500 | 4 | 275 | 0.15 | 2.75 | 1.812 | 0.750 | 0.750 | 0.032 |
| 1540M18 | 1100 | 2.5 | 650 | 0.33 | 1.8 | 1.812 | 0.750 | 0.750 | 0.025 |
| 1540M19 | 2250 | 1.75 | 1350 | 0.92 | 1.3 | 1.812 | 0.750 | 0.750 | 0.080 |
| 1540M20 | 4500 | 1.25 | 2700 | 2.64 | 0.9 | 1.812 | 0.750 | 0.750 | 0.012 |
| 1540M21 | 250 | 8 | 125 | 0.041 | 4.75 | 2.125 | 0.937 | 0.625 | 0.062 |
| 1540M22 | 900 | 3.75 | 500 | 0.175 | 2 | 2.125 | 0.937 | 0.625 | 0.032 |
| 1540M23 | 1800 | 2.5 | 1000 | 0.55 | 1.4 | 2.125 | 0.937 | 0.625 | 0.023 |
| 1540M24 | 4000 | 1.75 | 2100 | 1.16 | 1.1 | 2.125 | 0.937 | 0.625 | 0.018 |
| 1540M25 | 8000 | 1 | 4500 | 3.34 | 0.7 | 2.125 | 0.937 | 0.625 | 0.012 |



CANADA
Guelph, Ontario (519) 822-2960
St. Laurent, Quebec (514) 343-9010
USA
Cheektowaga, NY (716) 630-7030

www.hammondmfg.com



EUROPE
Basingstoke, UK 01256 812812

AUSTRALIA
Queenstown, Australia 61-8-8240-2244