

(click to enlarge)

**LOW VOLTAGE  
OPEN STYLE - POWER  
SOLDER OR QUICK CONNECT TERMINALS**

**Path:** [Home](#) > [Transformer Index](#) > [Power](#) > L.V. - Chassis Mount - Quick Connect

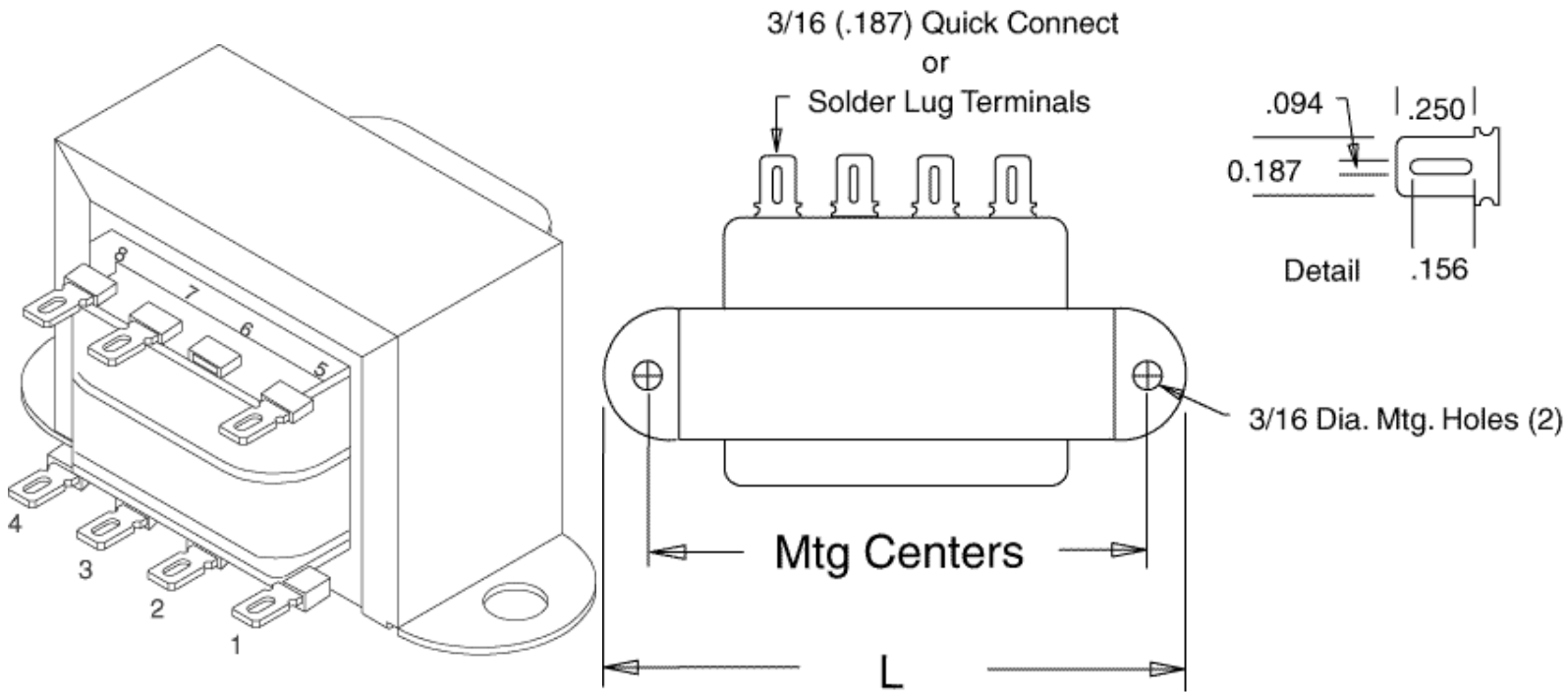
**Key Features:**

- Choice of two primaries: Single Primary 115VAC or Dual Primary 115/230.
- Either series operates on 50/60 Hz.
- Combination solder or quick connect terminals.
- Split bobbin construction means no electrostatic shield is necessary.
- Hi-pot tested to 2 KV RMS.
- Economical open style, channel frame - chassis mount design
- UL listed & CSA certified.

Part Number		Secondary (RMS)		VA RATING
Single Primary 115 VAC	Dual Primary 115/230 VAC	VAC	Current (Amps)	
<b>187A10</b>	NOT AVAILABLE	10VCT	0.25	2.50
<b>187B10</b>	<b>186B10</b>	10VCT	0.60	6.00
<b>187C10</b>	<b>186C10</b>	10VCT	1.20	12.00
<b>187D10</b>	<b>186D10</b>	10VCT	3.00	30.00
<b>187E10</b>	<b>186E10</b>	10VCT	5.00	50.00
<b>187F10</b>	<b>186F10</b>	10VCT	10.00	100.00
<b>187A12</b>	NOT AVAILABLE	12.6VCT	0.19	2.50
<b>187B12</b>	<b>186B12</b>	12.6VCT	0.50	6.30
<b>187C12</b>	<b>186C12</b>	12.6VCT	1.00	12.60
<b>187D12</b>	<b>186D12</b>	12.6VCT	2.50	31.50
<b>187E12</b>	<b>186E12</b>	12.6VCT	4.00	50.40
<b>187F12</b>	<b>186F12</b>	12.6VCT	8.00	100.80
<b>187A16</b>	NOT AVAILABLE	16VCT	0.15	2.40
<b>187B16</b>	<b>186B16</b>	16VCT	0.40	6.40
<b>187C16</b>	<b>186C16</b>	16VCT	0.80	12.80
<b>187D16</b>	<b>186D16</b>	16VCT	2.00	32.00
<b>187E16</b>	<b>186E16</b>	16VCT	3.50	56.00
<b>187F16</b>	<b>186F16</b>	16VCT	6.25	100.00
<b>187A20</b>	NOT AVAILABLE	20VCT	0.12	2.40

<b>187B20</b>	<b>186B20</b>	20VCT	0.30	6.00
<b>187C20</b>	<b>186C20</b>	20VCT	0.60	12.00
<b>187D20</b>	<b>186D20</b>	20VCT	1.50	30.00
<b>187E20</b>	<b>186E20</b>	20VCT	2.80	56.00
<b>187F20</b>	<b>186F20</b>	20VCT	5.00	100.00
<b>187A24</b>	NOT AVAILABLE	24VCT	0.10	2.40
<b>187B24</b>	<b>186B24</b>	24VCT	0.25	6.00
<b>187C24</b>	<b>186C24</b>	24VCT	0.50	12.00
<b>187D24</b>	<b>186D24</b>	24VCT	1.25	30.00
<b>187E24</b>	<b>186E24</b>	24VCT	2.40	57.60
<b>187F24</b>	<b>186F24</b>	24VCT	4.00	96.00
<b>187A28</b>	NOT AVAILABLE	28VCT	0.08	2.40
<b>187B28</b>	<b>186B28</b>	28VCT	0.20	5.60
<b>187C28</b>	<b>186C28</b>	28VCT	0.42	12.00
<b>187D28</b>	<b>186D28</b>	28VCT	1.07	30.00
<b>187E28</b>	<b>186E28</b>	28VCT	2.00	56.00
<b>187F28</b>	<b>186F28</b>	28VCT	3.57	100.00
<b>187A36</b>	NOT AVAILABLE	36VCT	0.06	2.34
<b>187B36</b>	<b>186B36</b>	36VCT	0.17	6.12
<b>187C36</b>	<b>186C36</b>	36VCT	0.35	12.60
<b>187D36</b>	<b>186D36</b>	36VCT	0.85	30.60
<b>187E36</b>	<b>186E36</b>	36VCT	1.50	54.00
<b>187F36</b>	<b>186F36</b>	36VCT	2.80	100.80
<b>187A48</b>	NOT AVAILABLE	48VCT	0.05	2.40
<b>187B48</b>	<b>186B48</b>	48VCT	0.12	6.00
<b>187C48</b>	<b>186C48</b>	48VCT	0.25	12.00
<b>187D48</b>	<b>186D48</b>	48VCT	0.62	30.00
<b>187E48</b>	<b>186E48</b>	48VCT	1.20	57.60
<b>187F48</b>	<b>186F48</b>	48VCT	2.00	96.00
<b>187A56</b>	NOT AVAILABLE	56VCT	0.04	2.50
<b>187B56</b>	<b>186B56</b>	56VCT	0.11	6.16
<b>187C56</b>	<b>186C56</b>	56VCT	0.21	12.30
<b>187D56</b>	<b>186D56</b>	56VCT	0.53	30.00
<b>187E56</b>	<b>186E56</b>	56VCT	1.00	56.00
<b>187F56</b>	<b>186F56</b>	56VCT	1.80	100.80
<b>187A120</b>	NOT AVAILABLE	120VCT	0.02	2.40
<b>187B120</b>	<b>186B120</b>	120VCT	0.05	6.00
<b>187C120</b>	<b>186C120</b>	120VCT	0.10	12.00
<b>187D120</b>	<b>186D120</b>	120VCT	0.25	30.00
<b>187E120</b>	<b>186E120</b>	120VCT	0.50	60.00
<b>187F120</b>	<b>186F120</b>	120VCT	0.85	102.00

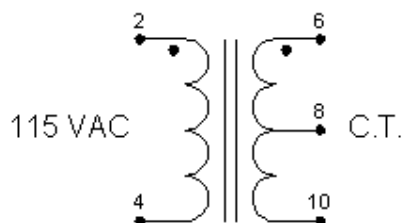
***Mechanical Data:***

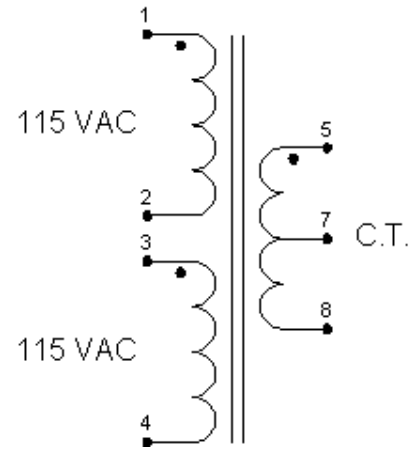


VA Model	DIMENSIONS				
	LENGTH	DEPTH (Not Including Terminals)	HEIGHT	MTG. CENTERS	DEPTH TO TERMINAL
	L	B	C		E
2.5 - "A"	2.06"	1.06"	1.18"	1.75"	1.435"
6 - "B"	2.37"	1.25"	1.37"	2.00"	1.625"
12 - "C"	2.81"	1.37"	1.62"	2.37"	1.725"
30 - "D"	3.25"	1.68"	1.93"	2.81"	2.055"
60 - "E"	3.68"	1.81"	2.25"	3.12"	2.185"
100 - "F"	4.03"	2.25"	2.56"	3.50"	2.625"

**Schematic Data:**

Confused about phasing or primary & secondary connections?	<a href="#">Connection FAQ Link</a>
--	-------------------------------------





Single Primary (187 Series)

Dual Primary (186 Series)

Exactly what you are looking for???

Link to our stocking distributors - most have "on-line" pricing, stock check and ordering!!!

[Our Distributors](#)

[Order from your favorite distributor](#)



[HOME PAGE](#)



Copyright; © 2002-2005 Hammond Mfg Co

Inc

URL: <http://www.hammondmfg.com>