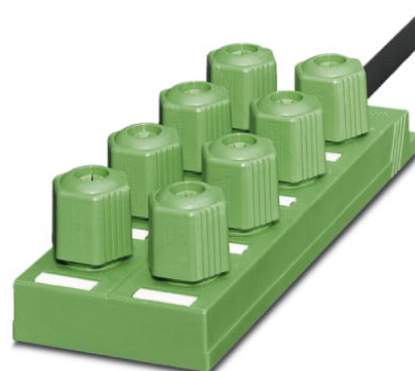


## SACB-6Q/4P-10,0PUR


Order No.: 1683691

The illustration shows a version with 8 QUICKON connections

<http://eshop.phoenixcontact.de/phoenix/treeViewClick.do?UID=1683691>

Sensor/actuator box, QUICKON, 0.34 mm<sup>2</sup> ... 0.75 mm<sup>2</sup>, Number of slots: 6, Number of positions: 4, Slot assignment: Single, Status indication: No, Universal; Master cable connection: Fixed connection 180°, PUR/PVC, Cable length: 10 m, Shielding: No

### Commercial data

|                          |  |
|--------------------------|--|
| GTIN (EAN)               | <br>4 017918 171056 |
| Note                     | Made-to-order  |
| sales group              | D104   |
| Pack                     | 1 pcs.   |
| Customs tariff           | 85366990   |
| Catalog page information | Page 185 (PC-2011)   |

### Product notes

WEEE/RoHS-compliant since:  
02/20/2006

<http://www.download.phoenixcontact.com>  
Please note that the data given here has been taken from the online catalog. For comprehensive information and data, please refer to the user documentation. The General Terms and Conditions of Use apply to Internet downloads.

### Technical data

#### General data

|  |       |
|--|-------|
| Rated voltage                            | 120 V |
| Max. operating voltage U <sub>max</sub>  | 135 V |
| Current carrying capacity per I/O signal | 4 A   |

|                                    |                  |
|------------------------------------|------------------|
| Current carrying capacity per slot | 4 A              |
| Total rated current                | 12 A             |
| Number of positions                | 4                |
| Number of slots                    | 6                |
| Degree of protection               | IP65/IP67        |
| Inflammability class acc. to UL 94 | V0               |
| Ambient temperature (operation)    | -25 °C ... 60 °C |
| Sensor/actuator connection system  | QUICKON          |

**Master cable data**

|                                     |  |
|-------------------------------------|--|
| Connection method                   | Fixed connection   |
| Length of cable                     | 10 m   |
| Cable type                          | Master cable suitable for flexible cable conduit   |
| Signal line cross section           | 6x 0.34 mm <sup>2</sup>  |
| AWG signal line                     | 22   |
| Conductor structure signal line     | 42x 0.10 mm  |
| Power supply cross section          | 3x 0.75 mm <sup>2</sup>  |
| AWG power supply                    | 18   |
| Conductor structure, voltage supply | 96x 0.10 mm  |
| External diameter                   | 8.7 mm   |
| Max. bending cycles                 | 1500000  |
| Bending radius                      | 90 mm  |
| Traversing path                     | 2 m  |
| Traversing rate                     | 2 m/s  |
| Ambient temperature (operation)     | -40 °C ... 90 °C (for fixed installation)<br>-5 °C ... 80 °C (for flexible installation) |

**Conductor data**

|   |  |
|---|--|
| Structure of individual litz in acc. with VDE 0295 / smallest wire diameter | Class 2-6 // 0.34 mm <sup>2</sup> : 0.1 mm; 0.5 - 0.75 mm <sup>2</sup> : 0.15 mm |
| Wire insulation material  | PVC/PE   |
| Wire diameter including insulation  | ≤ 2.5 mm   |
| Minimum external conductor diameter   | 4 mm   |
| Maximum external conductor diameter   | 7.5 mm   |
| Tightening torque, union nut  | 2.5 Nm   |
| Wrench size, union nut  | 22 mm  |

|  |   |
|--|---|
| Note on the frequency of connections   | if the conductor is connected more than once, seal and cap may need to be replaced. |
| Conductor cross section stranded max.  | 0.75 mm <sup>2</sup>  |
| Conductor cross section stranded min.  | 0.34 mm <sup>2</sup>  |
| Conductor cross section AWG/kcmil min. | 22  |
| Conductor cross section AWG/kcmil max  | 18  |

#### Insulation material

|                               |              |
|-------------------------------|--------------|
| Housing material              | PA           |
| Material of the moulding mass | PUR          |
| Contact material              | Steel/copper |
| Contact surface material      | Sn           |

#### Pin assignment

|  |                        |
|--|------------------------|
| Slot/position = Wire color or connection | 1 / 4 (A) = WH         |
|  | 2 / 4 (A) = GN         |
|  | 3 / 4 (A) = YE         |
|  | 4 / 4 (A) = GY         |
|  | 5 / 4 (A) = PK         |
|  | 6 / 4 (A) = RD         |
|  | 1-6 / 1 (+ 120 V) = BN |
|  | 1-6 / 3 (0 V) = BU     |
|  | 1-6 / 5 (PE) = GN/YE   |

#### Certificates / Approvals



Certification CUL, GOST, UL

#### Accessories

| Item            | Designation            | Description  |
|-----------------|------------------------|--|
| <b>Assembly</b> |                        |  |
| 1670743         | Q SET-11/4 COD1 SACB-Q | QUICKON set for replacement purposes, consisting of pressure nut, cap, line seal and splice ring |

**Marking**

|         |                   |   |
|---------|-------------------|---|
| 2809128 | ZBN 18:UNBEDRUCKT | Unprinted marker labels, strips with 5 labels for individual labeling with M-PEN or CMS system, for terminal block width: 17.5 mm, color: White |
|---------|-------------------|---|

**Protection and sealing elements**

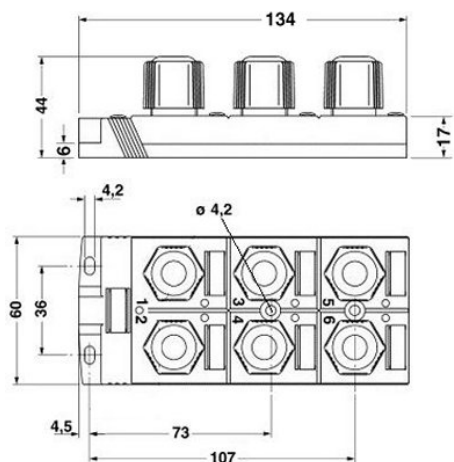
|         |             |  |
|---------|-------------|--|
| 1670235 | Q-PROT 9/11 | Closing cap for PG9/PG11 to close unoccupied connections |
|---------|-------------|--|

**Tools**

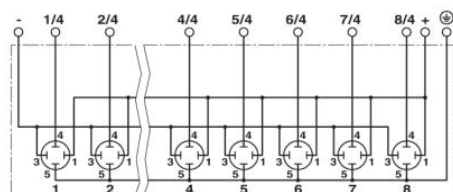
|         |        |  |
|---------|--------|--|
| 1670206 | QSS 22 | Allen wrench, for loosening and fastening the QUICKON union nut, WAF 22 mm |
|---------|--------|--|

**Diagrams/Drawings**

Dimensioned drawing



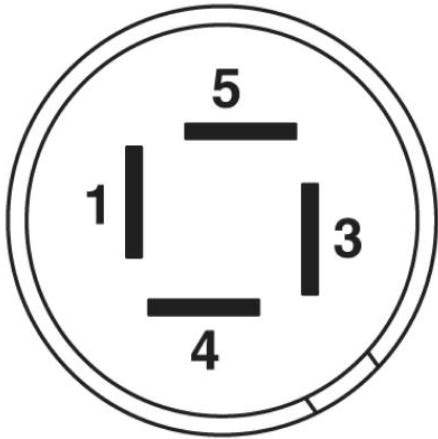
Circuit diagram



Schematic diagram

---

QUICKON connection, 4-pos.



**Address**

PHOENIX CONTACT Inc., USA  
586 Fulling Mill Road  
Middletown, PA 17057, USA  
Phone (800) 888-7388  
Fax (717) 944-1625  
<http://www.phoenixcon.com>



© 2011 Phoenix Contact  
Technical modifications reserved;