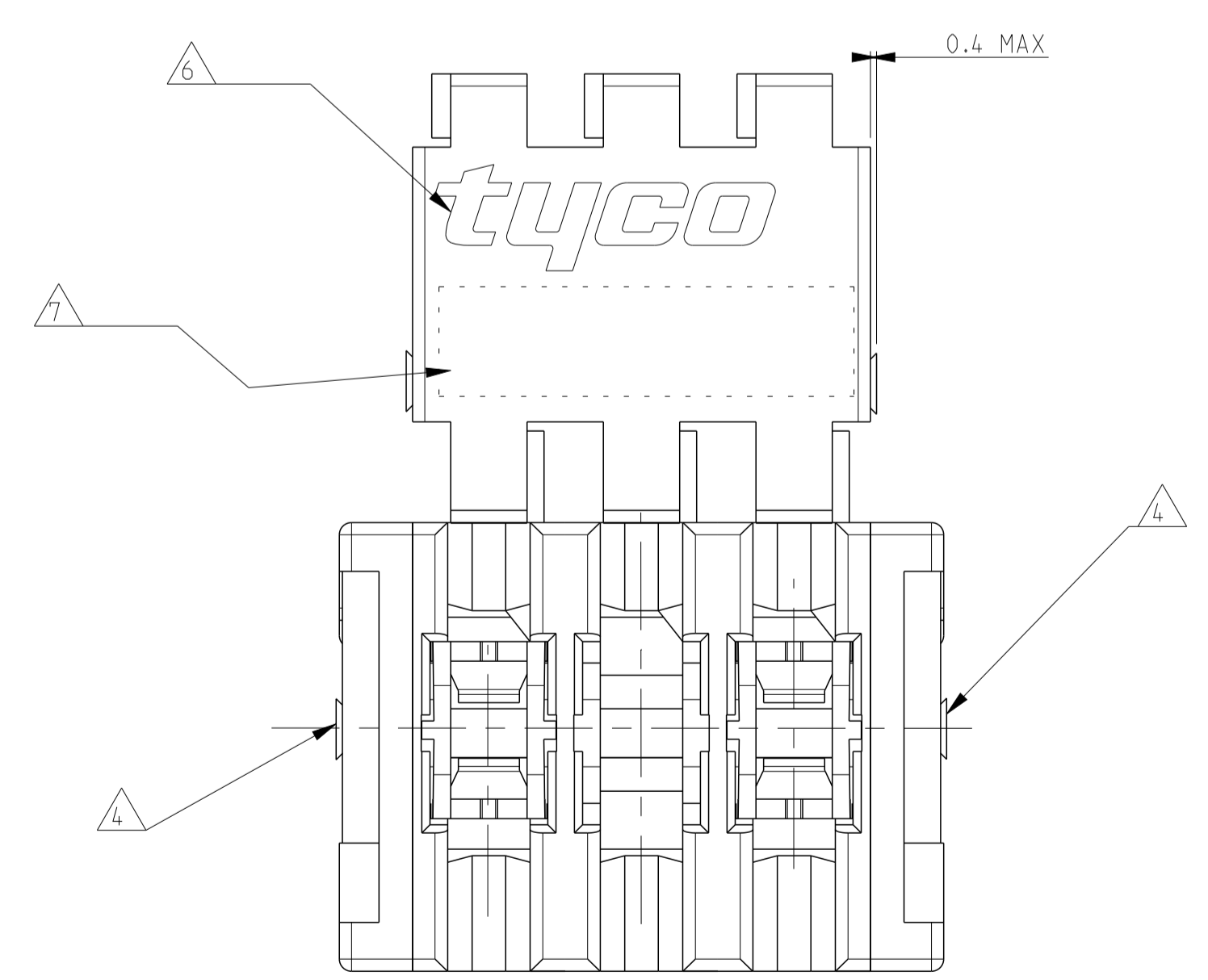
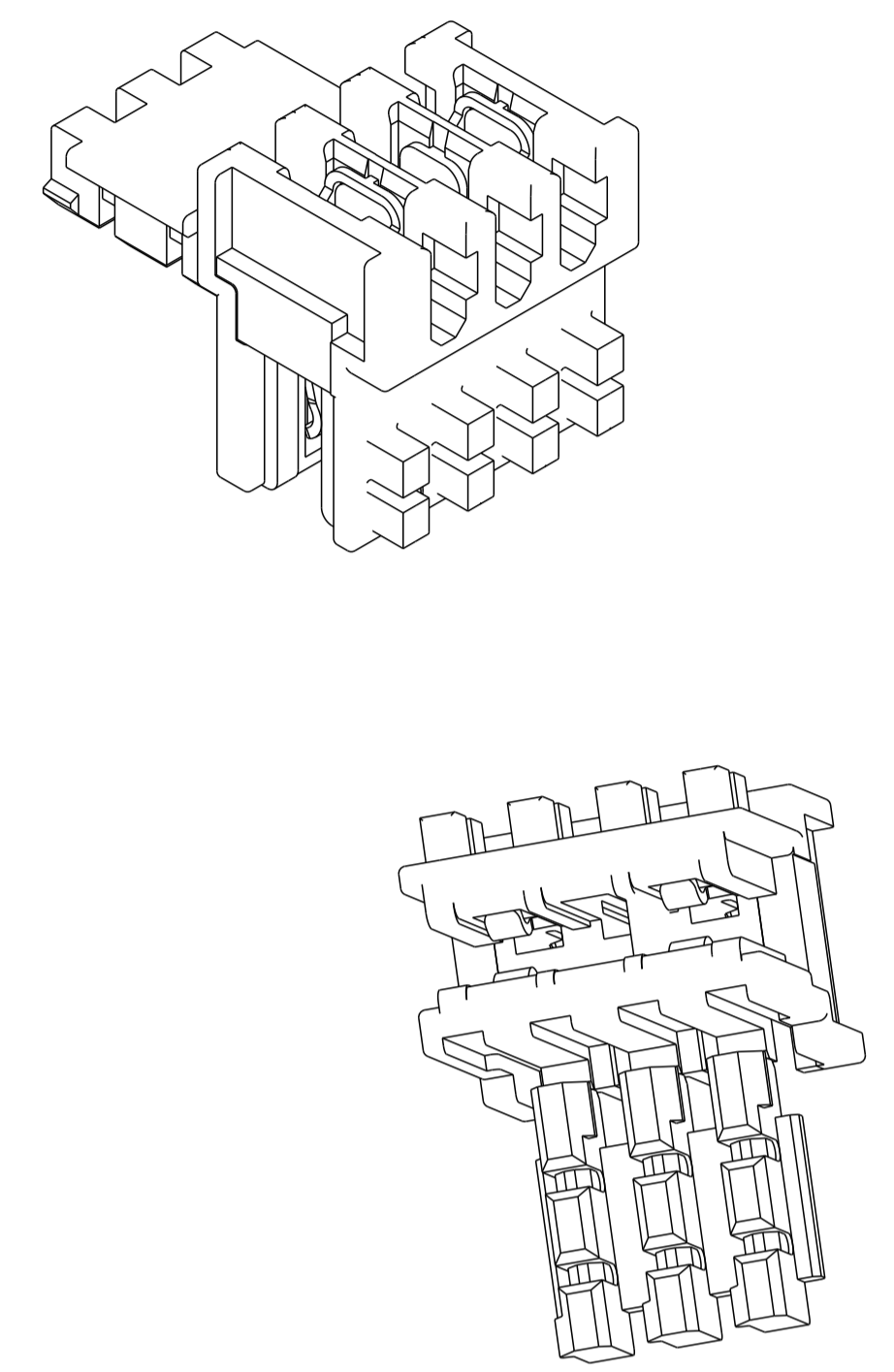
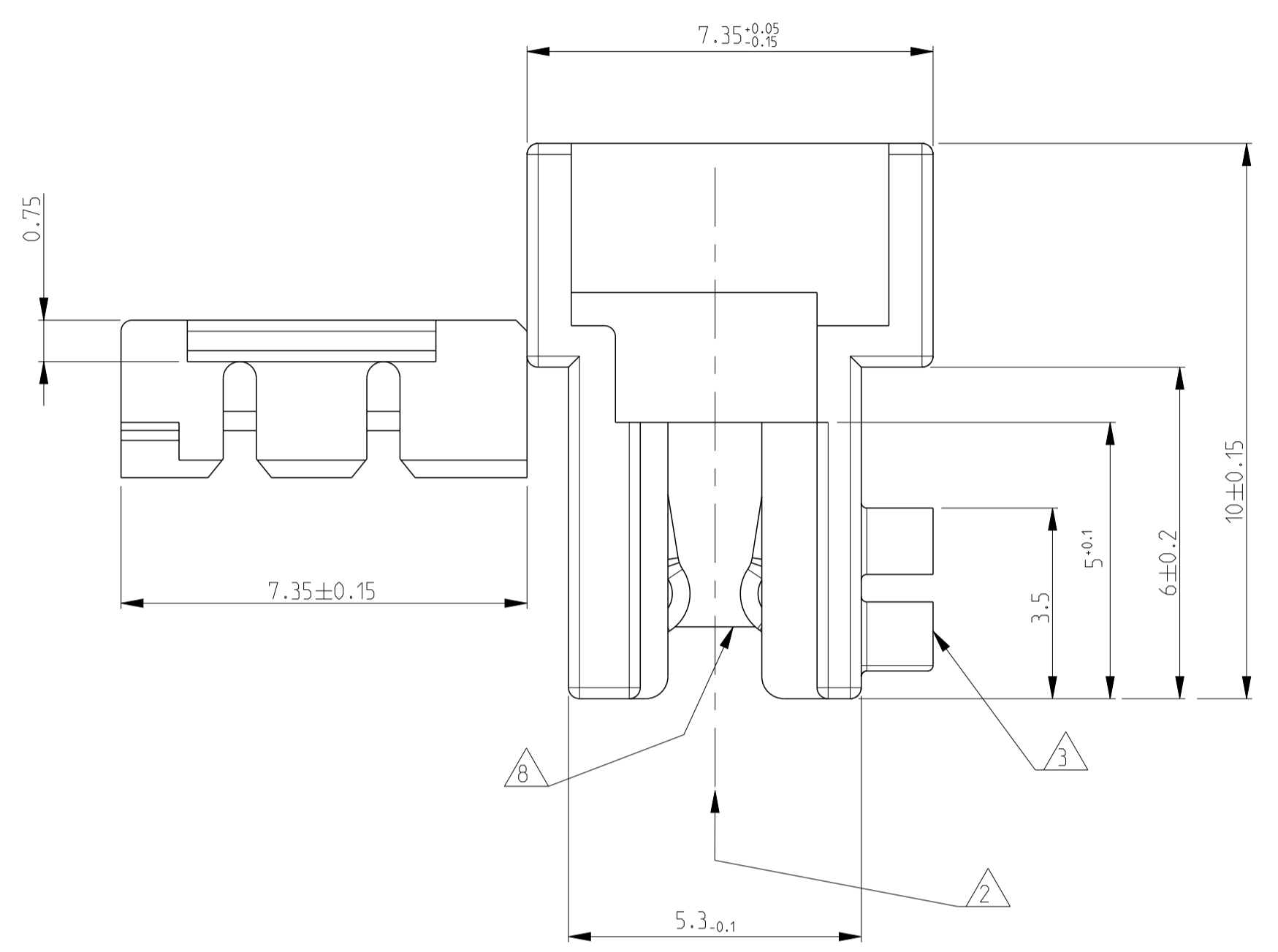
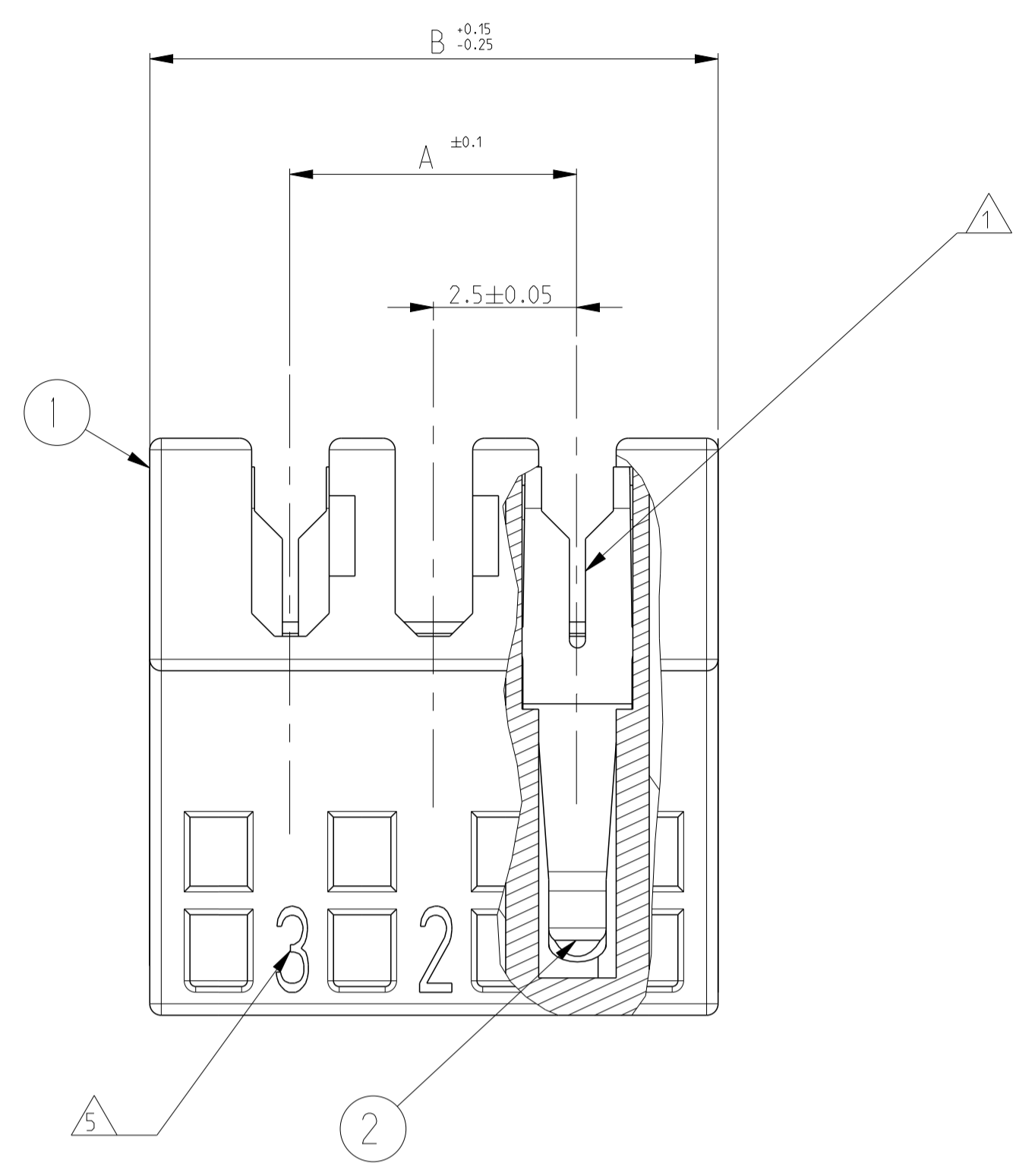
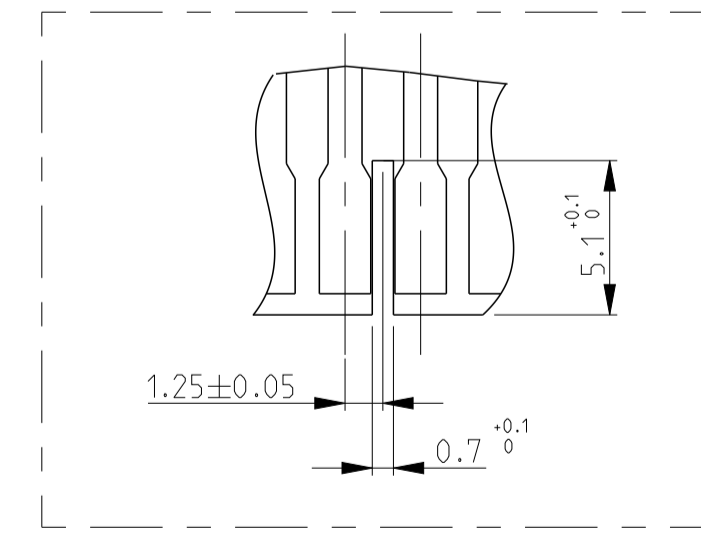


LOC	DIST	REVISIONS					
		P	LTN	DESCRIPTION	DATE	DWN	APVD
A1	-	A7		REVISED PER ECR-15-012073	18AUG2015	NK	W W
		A9		ECR-16-016-334	18NOV2016	FV	RR



- △ WIRE RANGE : STRANDED 0.22-0.35 mm (INS. DIA. 1.30±0.1)
- △ MATING PART: TAB HEADER P/N 829866;
PCB FRAME P/N 964575 (PCB THK 1.5±0.14 COPPER CLADDING INCLUDED)
SEE PRODUCT SPEC. 108-18056 FOR FRAME APPLICATION
- △ KEYING RIBS TO BE REMOVED BY TERMINATION MACHINE
- △ CUT OFF DIMENSION DUE TO PRODUCTION PROCESS
- △ CIRCUIT No. IDENTIFICATION
- △ TE TRADEMARK (OPTIONAL POSITION)
- △ TAMPOGRAPHIC COLOUR CODE AREA
(P/Ns IDENTIFICATION BEFORE CRIMPING)
- △ POLARIZATION RIB BETWEEN CAVITIES.
(SEE BELOW TYPICAL POLARIZATION CUTOFF ON PCB)
- △ PRELIMINARY PART NOT RELEASED FOR PRODUCTION.
- △ PBT GF
- △ PBT GF. GWEPT 750 NO-FLAME, NATURAL

P/N 0-293153-3 AS SHOWN
 SCALE 5:1 / 10:1



COLOUR CODE	CONTACT LOADING	POLARIZ. RIB POS.	HSG POS.	DIM.A	DIM.B	TE P/N	TE P/N
BLACK	SELECTIVELY 1.4,5,6,7	2/3	7	15.0	19.9	0-293153-7	6-2311505-7
BLACK	SELECTIVELY 1,3,4,6	1/2	6	12.5	17.4	2-293153-6	6-2311505-6
RED	SELECTIVELY 1,3,4,6	2/3	6	12.5	17.4	1-293153-6	5-2311505-6
BLUE	SELECTIVELY 1,2,4,5,6,7,8,9	2/3	9	20.0	24.9	1-293153-9	6-2311505-9
BLACK	SELECTIVELY 1,3,4,6,8,9	2/3	9	20.0	24.9	0-293153-9	5-2311505-9
△ 9 RED	SELECTIVELY 1,2,3,7,8	1/2	8	17.5	22.4	0-293153-8	2-2311505-8
BLACK	SELECTIVELY 1,2	1/2	6	12.5	17.4	0-293153-6	4-2311505-6
BLACK	SELECTIVELY 3,6	3/4	4	7.5	12.4	0-293153-4	2311505-4
BLACK	SELECTIVELY 1,3	1/2	3	5.0	9.9	0-293153-3	8-2311505-3

-				THIS DRAWING IS A CONTROLLED DOCUMENT.				DWN C.CORDALO 28NOV2005				
-				PH. BRONZE, TIN PLATED				CHK G.TURCO 28NOV2005				
-				IDC RECEPTACLE CONTACT				APVD G.TURCO 28NOV2005				
SEE TABLE	PBT GLASS FIBER FILLED			FEMALE HOUSING			NAME			DUOPLUG 2.5 FEMALE CONNECTOR STANDARD VERSION, KEYED (SELECTIVELY LOADED)		
Q.TY	MATERIAL			DESCRIPTION			ITEM			PRODUCT SPEC		
1	-			-			-			108-18056		
-				REVISIONE DELL'ASSEMBLATO (REVISION OF EACH ASSY NO)				APPLICATION SPEC				
-				ELENCO DEI COMPONENTI (PARTS LIST)				116-18049-1				
-				-				WEIGHT				
-				-				CUSTOMER DRAWING				
-				-				SCALE 10:1				
-				-				SHEET 1 OF 1				
-				-				REV A9				

Mouser Electronics

Authorized Distributor

Click to View Pricing, Inventory, Delivery & Lifecycle Information:

[TE Connectivity:](#)

[1-293153-6](#)