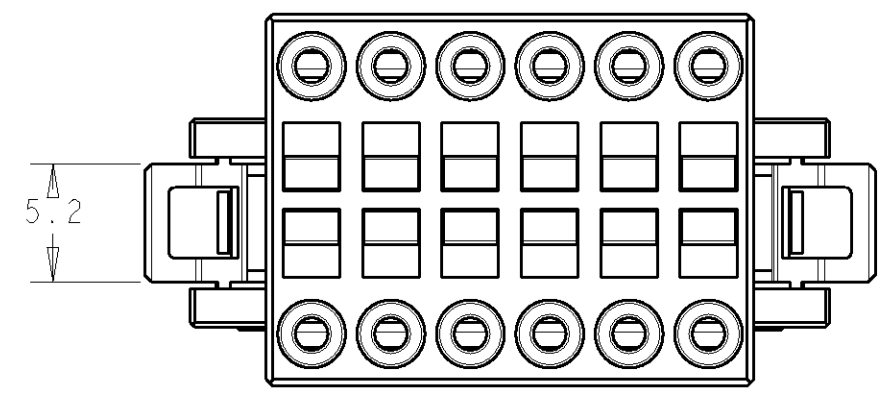


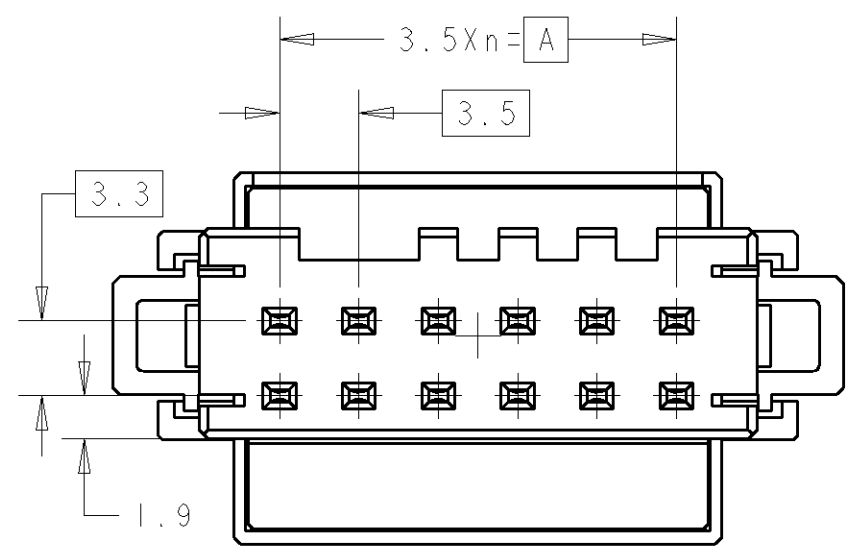
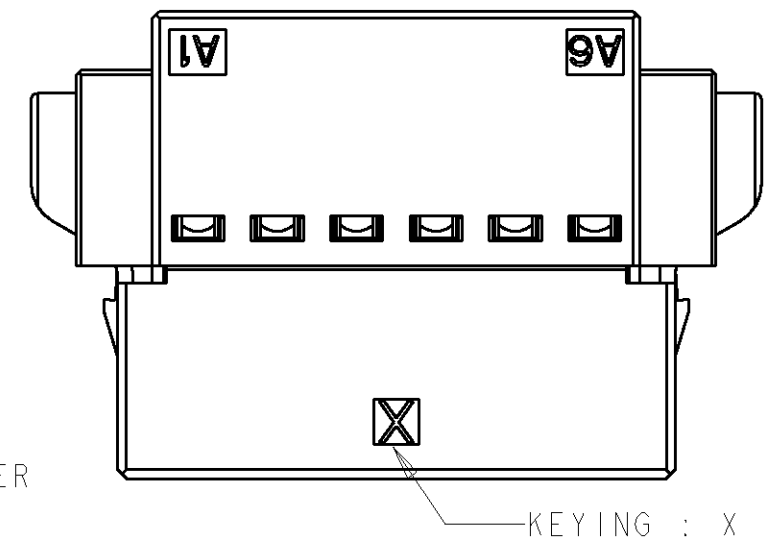
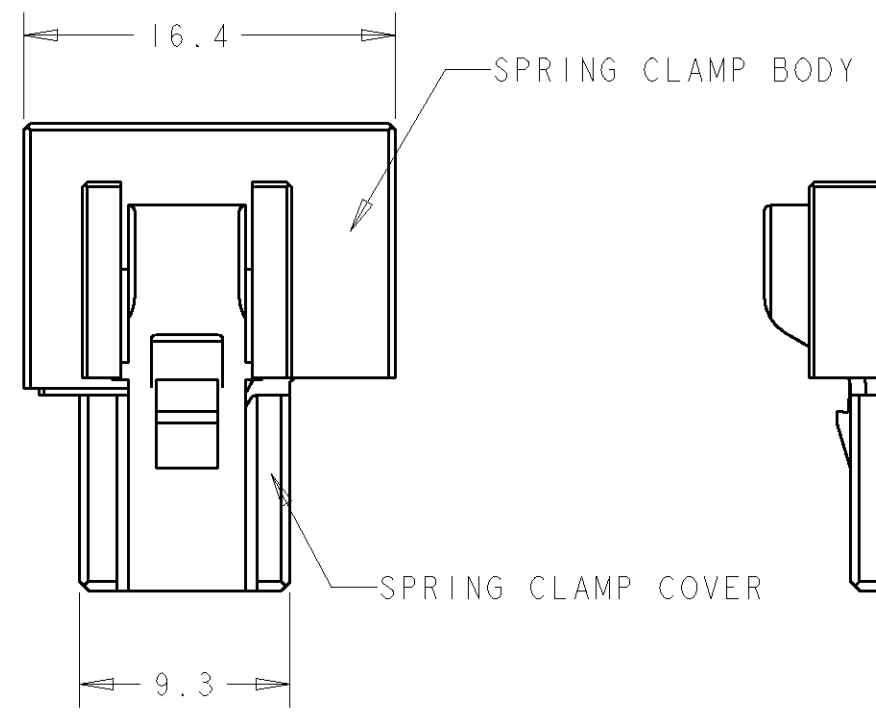
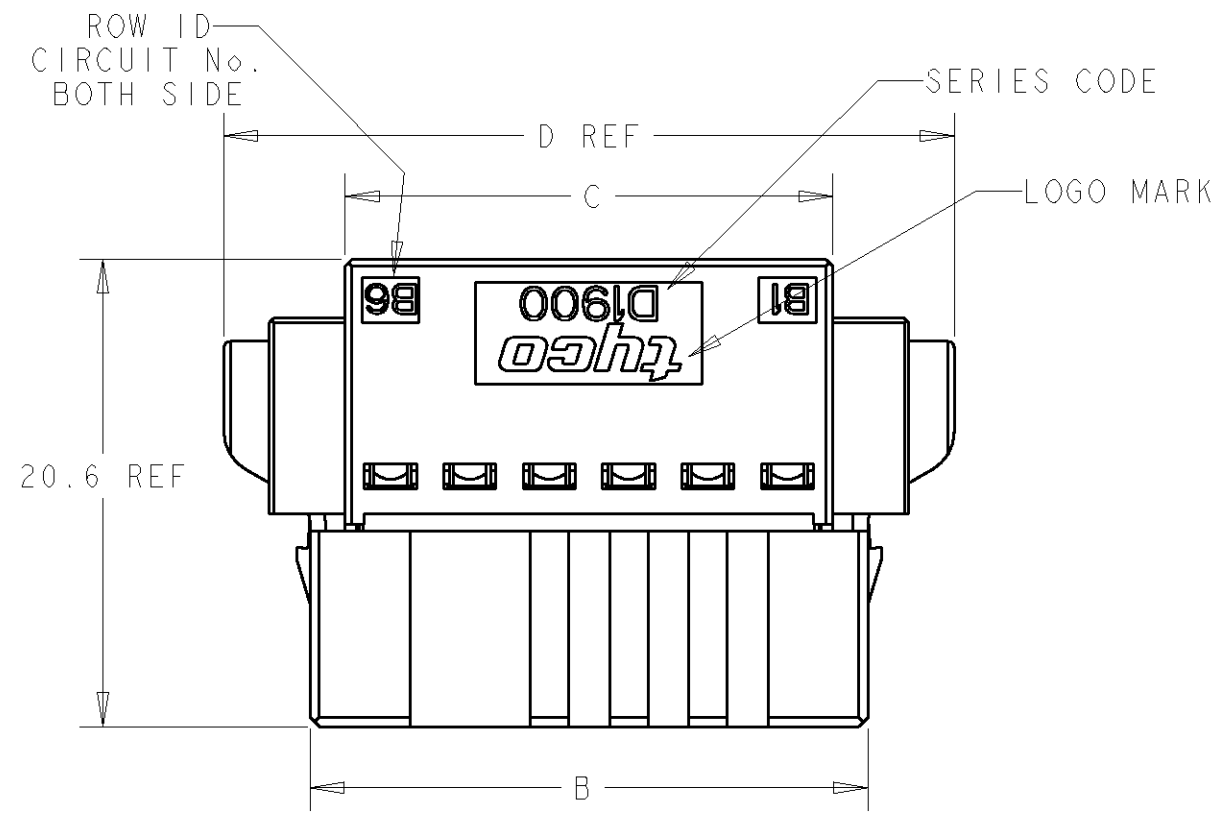
THIS DRAWING IS UNPUBLISHED. RELEASED FOR PUBLICATION 20
 © COPYRIGHT 20 BY TYCO ELECTRONICS CORPORATION. ALL RIGHTS RESERVED.

LOC	DIST	REVISIONS					
		P	LTR	DESCRIPTION	DATE	DWN	APVD
J	-		A	RELEASED	09APR2007	S.T	J.A



NOTES
 1 MATERIAL: HOUSING: GLASS FILLED THERMO PLASTIC POLYESTER (94V-0), COLOR: BLACK
 CONTACT: COPPER ALLOY
 SPRING: STAINLESS STEEL
 2 FINISH (ALL OVER): NICKEL PL. 1.27μm MIN
 3 FINISH (CONTACT AREA): AU PL. 0.3μm MIN AFTER

注記
 1 材料: ハウジング: ガラス入り熱可塑性ポリエステル樹脂 (94V-0)、色: 黒
 コンタクト: 銅合金
 スプリング: ステンレススチール
 2 めっき: 全面: Ni 下地めっき 1.27μm 以上
 3 めっき: 接触部: の上に金めっき 0.3μm 以上



38	18	63.0	70.1	67.0	77.7	REC ASSY: 2-1871940-9
30	14	49.0	56.1	53.0	63.7	REC ASSY: 2-1871940-5
22	10	35.0	42.1	39.0	49.7	REC ASSY: 2-1871940-1
12	5	17.5	24.6	21.5	32.2	REC ASSY: 1-1871940-6
8	3	10.5	17.6	14.5	25.2	REC ASSY: 1-1871940-4
POS.	n	A	B	C	D	PART No.

THIS DRAWING IS A CONTROLLED DOCUMENT FOR TYCO ELECTRONICS CORPORATION. IT IS SUBJECT TO CHANGE AND THE CONTROLLING ENGINEERING ORGANIZATION SHOULD BE CONTACTED FOR THE LATEST REVISION.

DIMENSIONS: 単位: 概 mm	TOLERANCES UNLESS OTHERWISE SPECIFIED: 一般公差 ±0.3, ±3° 0-PLC ± 1-PLC ± 2-PLC ± 3-PLC ± 4-PLC ± ANGLES ±	DWN S.TAKADA 09APR2007 CHK J.AKASAKA 09APR2007 APVD J.AKASAKA 09APR2007	Tyco Electronics Corporation Kawasaki, Japan	
MATERIAL 材料	FINISH 仕上	PRODUCT SPEC 製品規格 108-78336	NAME 名称 DYNAMIC D1900D 3.5mm Pitch REC ASSY (SPRING CLAMP TYPE)	
		APPLICATION SPEC 取付適用規格 114-5394	SIZE A3	CAGE CODE 00779
		WEIGHT -	DRAWING NO C-1871940	RESTRICTED TO -
		CUSTOMER DRAWING	SCALE 尺度 3:1	SHEET OF 1